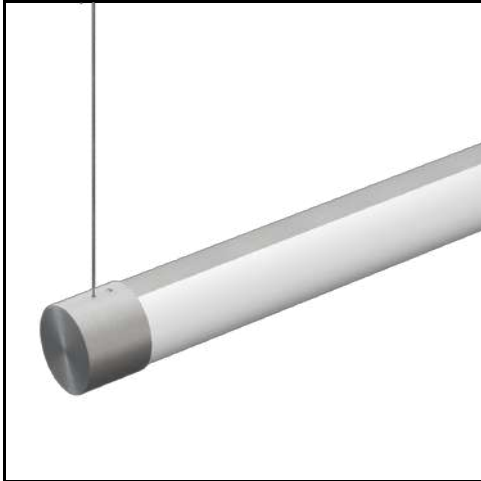


XOOTUBE™ SW PRO Pendant

Area: **Design Luminaires**
 Category: **Design Luminaires**
 Mounting: **Horizontal Pendant / Vertical Pendant / Wall-mounted**

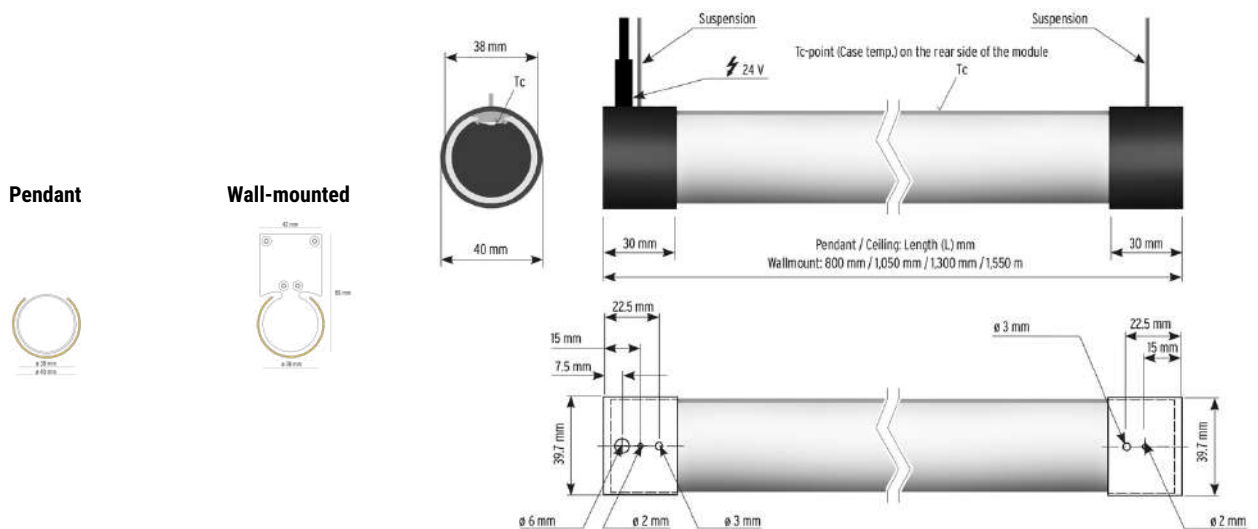


XOOTUBE™ is a round linear luminaire which suits perfectly for both functional, as well as decorative pendant applications asking for a wide spread of light. With lumen outputs ranging from 795 lm/m up to over 1,550 lm/m, the fixture can be used for multiple purposes. This perfect eye catcher is possible to be mounted both as a horizontal or vertical pendant, or alternatively on any surface, be it on walls in any orientation or ceilings.

- XOOTUBE™ outputs absolutely homogeneous light in all directions. Different lumen packages allow both decorative as well as general lighting.
- The round design reminiscing of fluorescent tubes offers a tool for decorative installations seemingly floating in the air.
- The surface mounted version can be installed on ceilings and walls in any orientation. Thanks to its shape it also casts light on the surface it is installed on.

Detailed specification text in download section.

DIMENSIONS & AVAILABLE LENGTHS



4 Standard lengths (L): 800 mm / 1,050 mm / 1,300 mm / 1,550 mm

TECHNICAL SPECIFICATIONS

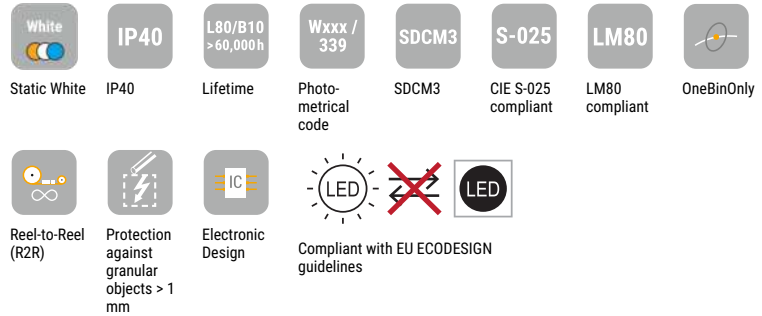
Certifications



Awards



Technical Data/Performance



ELECTRICAL & OUTPUT DATA

Voltage	24 Volt (23 V _{min} , 25 V _{max})
Case Temperature (T _{cmin} & T _{cmax})	T _{cmin} = -25°C, T _{cmax} = specific, see Table below
Storage Temperature (T _{smin} & T _{smax})	T _{smin} = -30°C, T _{smax} = 85°C
Ambient Temperature (T _{amin} & T _{amax})	T _{amin} = -25°C, T _{amax} = specific, see Table below

XOOTUBE™ SW PRO Pendant	PRO SW 13	PRO SW 18	PRO SW 24
Power (W/m) ^B	13	18	24
Efficacy (lm/W) ^B	85	89	88
max. length (m)	1.55	1.55	1.55
CRI / R9 (up to)	94 / 74	94 / 74	94 / 74
Temperature T _c -point (T _{cmax}) ^C	70°C	70°C	75°C
max. ambient temp. (T _{amax})	40°C	40°C	35°C

XOOTUBE™ SW PRO Pendant	low output			high output
	PRO SW 13	PRO SW 18	PRO SW 24	
Color temperature	luminaire lumens/meter (lm/m)^A			
● W927 2,700K	1050	1500	1870	
● W930 3,000K	1080	1540	1990	
● W935 3,500K	1100	1600	2010	
● W940 4,000K	1110	1610	2110	

! To configure the specific luminaire please use the online configurator.

Please note: The orange values are CRI 90 specifications.

^AWithout cover the IP protection level is reduced from IP40 to IP10.

^BThe given data are typical values. Due to tolerances of the production process and the electrical components, photometric values and electrical power can vary up to 10%

^CThe T_c-point should be measured in thermal equilibrium according to IEC EN 60598-1.

! Note: -40% luminous flux at opal and -25% with diffuse cover.

ORDER CODE

Example:

XOOTUBE HYDRA PRO SW 13W927 0800 S P

CONFIGURE NOW!

Options for the order code:

Your selections :

Mounting option

- Pendant / Ceiling P
 Wall-mounted W

LED tape

- PRO SW 13 (12 W/m) PRO SW 13
 PRO SW 18 (18 W/m) PRO SW 18
 PRO SW 24 (23 W/m) PRO SW 24

Color temperature

- 2,700 K W927
 3,000 K W930
 3,500 K W935
 4,000 K W940

Please note: The orange values are CRI 90 specifications.

Lengths

- 800 mm 0800
 1050 mm 1050
 1300 mm 1300
 1550 mm 1550

Lighting head

- Silver S
 Black B
 White W

Mounting type

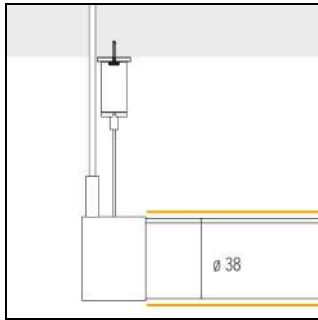
- Horizontal pendant P
 Vertical pendant V

TYPICAL APPLICATIONS



MOUNTING

1. Horizontal Pendant



Mounting accessories



VarioCANOPY Square Mounting set (optional) for pendant ceiling installations on concrete ceilings
Art.-#: 16000347

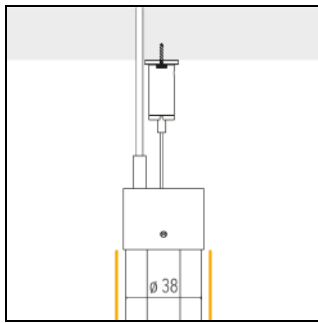
Description

Horizontal pendant luminaires are delivered with 4 m long pendant wires and black cable as well as ceiling fasteners suitable for both concrete and false ceilings. Luminaires with a length of at least 1.3 m are equipped with an additional middle pendant wire. No further mounting accessories are required.

Example of application



2. Vertical Pendant



Mounting accessories



VarioCANOPY Square Mounting set (optional) for pendant ceiling installations on concrete ceilings
Art.-#: 16000347

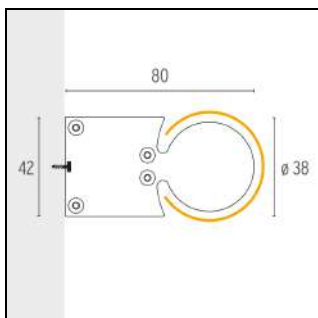
Description

Vertical pendant luminaires are delivered with a 4 m long pendant wire and black cable as well as a ceiling fastener suitable for both concrete and false ceilings. No further mounting accessories are required.

Example of application



3. Wall-mounted



Mounting accessories

No additional accessories are required for this mounting option

Description

The wall-mounted variant can be mounted in any orientation and on ceilings too. The length can be freely chosen, up to 4 m long, depending on the chosen light engine. It comes with its own mounting profile which is large enough to retrofit a slim driver and/or controller if desired. No further mounting accessories are required.

Example of application



POWER SUPPLY UNIT (PSU) & CONTROLS

Recommended PSU

VarioPSU 24V/150W IP20, DALI/SWD
Art.-#: 16000243

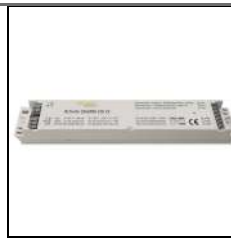
Recommended Control

IN.finite CASAMBI 2Ch CV
Art.-#: 16000267-EVO

XOOTUBE™ SW PRO Pendant



Dimensions
(L x H x W) : **325 mm x 30 mm x 43 mm**
 Electrical Class: **SK II**
 LED Drive: **CV**
 Voltage (V): **24 V**
 Rated Power (W): **150 W**
 Input Voltage (Vac): **220 – 240**
 Region: **EU**
 Certificates: **ENEC, EAC**
 Schutzart: **IP20**
 Indoor/Outdoor: **Indoor**



Dimensions
(L x H x W) : **188 mm x 21 mm x 30 mm**
 Channels: **2**
 Dimming Options: **Casambi BLE**
 Dimming: **PWM (f ~ 1600Hz)**
 Dimming Curve: **Lin/Log/free conf.**
 Dimming Range: **100% - 0%**
 Voltage (V): **12-50V**
 Certificates: **tbd**
 Schutzart: **IP10**
 Indoor/Outdoor: **Indoor**

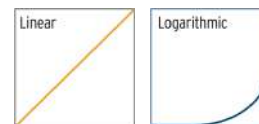
Recommended PSU

VarioPSU 24V/150W IP20, SK II, SLIM, CV, 220-240V, DALI2/SWD
 Art.-#: 16000381



Dimensions
(L x H x W) : **350 mm x 18 mm x 30 mm**
 Electrical Class: **SK II**
 LED Drive: **CV**
 Voltage (V): **24 V**
 Rated Power (W): **150 W**
 Input Voltage (Vac): **220 – 240**
 Region: **EU**
 Schutzart: **IP20**
 Indoor/Outdoor: **Indoor**

Dimming



Recommended PSU

VarioPSU 24V/150W IP20, SK II, SLIM, CV, 220-240V, ON/OFF
 Art.-#: 16000376



Dimensions
(L x H x W) : **350 mm x 18 mm x 30 mm**
 Electrical Class: **SK II**
 LED Drive: **CV**
 Voltage (V): **24 V**
 Rated Power (W): **150 W**
 Input Voltage (Vac): **220 – 240**
 Region: **EU**
 Certificates: **ENEC**
 Schutzart: **IP20**
 Indoor/Outdoor: **Indoor**

Recommended PSU

VarioPSU 24V/150W IP20, ON/OFF
 Art.-#: 16000366



Dimensions
(L x H x W) : **223 mm x 32 mm x 64 mm**
 Electrical Class: **SK II**
 LED Drive: **CV**
 Voltage (V): **24 V**
 Rated Power (W): **150**
 Input Voltage (Vac): **220 – 240**
 Region: **EU**
 Schutzart: **IP20**
 Indoor/Outdoor: **Indoor**

VOLTAGE DROP INFORMATION FOR THE FEED-IN LINE (PSU / CONTROL TO FIXTURE)**0.34 mm² / AWG 22**

XOOTUBE™ SW PRO Pendant	PRO SW 13	PRO SW 18	PRO SW 24
Product run Length	max. cable length between PSU / Control unit and the luminaire		
1 m	16.1 m	10.7 m	8.4 m
2 m	-	-	-
3 m	-	-	-
4 m	-	-	-
5 m	-	-	-
6 m	-	-	-
7 m	-	-	-

1.5 mm² / AWG 15

XOOTUBE™ SW PRO Pendant	PRO SW 13	PRO SW 18	PRO SW 24
Product run Length	max. cable length between PSU / Control unit and the luminaire		
1 m	71.4 m	47.6 m	37.2 m
2 m	-	-	-
3 m	-	-	-
4 m	-	-	-
5 m	-	-	-
6 m	-	-	-
7 m	-	-	-

Calculation refers to the cable configuration on site.

The information listed in the table is only refers to the conductor-based voltage drop of max. 0.85V at 24V DC input voltage.

Regarding the electromagnetic compatibility (EMC) the maximum cable length is defined by the power supply manufacturer.

A cable length between power supply and planned product longer than indicated by the datasheet of the power supply is possible. However the electromagnetic compatibility can then be influenced by the conditions of the installation site. There is no data on electromagnetic compatibility for longer cable lengths, which might lead to the necessity of an evaluation of the electromagnetic compatibility by a third party.

Datasheets and mounting instructions of the components in combination with the planned product must be carefully read and followed.