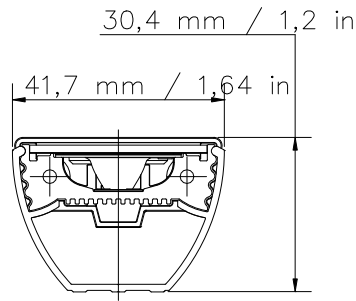
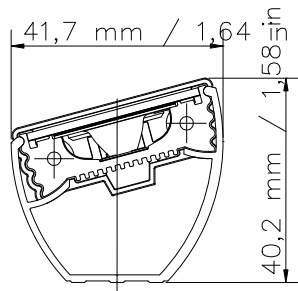
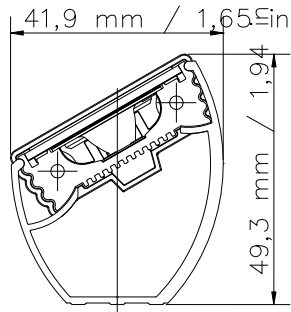


Variation with VarioClip  
 XOO LUX NANO 30°    Variation with VarioClip  
 XOO LUX NANO 15°    Variation with VarioClip  
 XOO LUX NANO 0°



<b>LED LINEAR™</b> lighting solutions			 Material edges according to DIN ISO 13715	General tolerances according to DIN ISO 2768-1, DIN ISO 2768-2	
				Material:	
Art.-No.:				Title: XOO LUX NANO IP65	
Drawing number: VT 331.0003 A				Scale: 1:1	Sheet: 1 / A3
Replacement for:				Replaced by:	

Index	Revision	Date	Name	Origin
A	Neue Endkappen und Kabel	08.11.2019	AB	

Refer to protection notice ISO 16016

