

XOOLUM™ R Wall Wash White High Efficiency LD IP20

Area:

Category: **Wall Wash**

Mounting: **Pendant / Surface-mounted, fixed / Surface-mounted, adjustable**

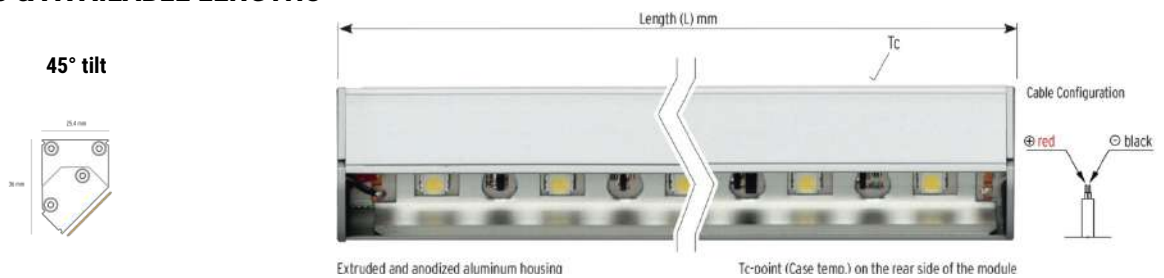


Surface mount wall washer with small form factor using specular reflector offering a variety of lumen outputs from 380 lm/m up to 4,130 lm/m and CCTs.

- Alanod reflector technology for an excellent color mixing and homogeneous wall wash effect.
- Large offer of lumen outputs and CCTs with an outstanding efficiency of 94%.
- Compact design and simple surface mounting enabling a discrete installation in the ceiling.

Detailed specification text in download section.

DIMENSIONS & AVAILABLE LENGTHS



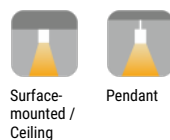
Fixture build to length (not field cuttable): $L = (N \times 125 \text{ mm}) + 10 \text{ mm}$; $N = 1 \dots$ (as follows); $L_{\min} = 135 \text{ mm}$, LD5/LD10/LD15: $N_{\max} = 32$; $L_{\max} = 4,010 \text{ mm}$; LD25: $N_{\max} = 24$; $L_{\max} = 3,010 \text{ mm}$; LD40: $N_{\max} = 16$; $L_{\max} = 2,010 \text{ mm}$

TECHNICAL SPECIFICATIONS

Certifications



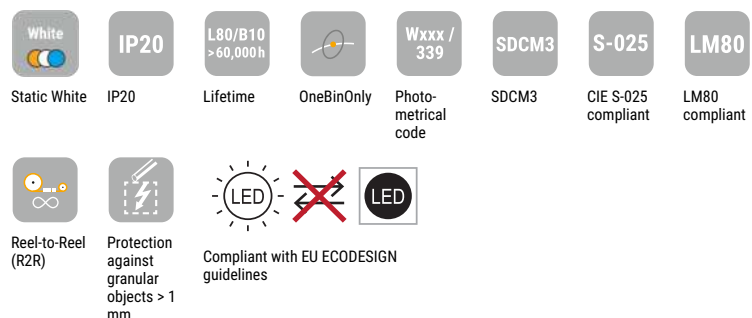
Family Key Features



Awards



Technical Data/Performance



ELECTRICAL & OUTPUT DATA

Voltage	24 Volt (23 V _{min} , 25 V _{max})
Housing temperature (T _{c min} & T _{c max})	T _{c min} = -25°C, T _{c max} = specific, see Table below
Storage Temperature (T _{s min} & T _{s max})	T _{s min} = -30°C, T _{s max} = 85°C
Ambient temperature (T _{a min} & T _{a max})	T _{a min} = -25°C, T _{a max} = specific, see Table below

XOOLUM™ R Wall Wash White High Efficiency LD IP20	LD5	LD10	LD15	LD25	LD40
Power (W/m)	5	10	15	25	40
Efficacy (lm/W)	116	122	121	112	93
max. length (m)	4.01	4.01	4.01	3.01	2.01
CRI / R9 (up to)	96 / 81	85 / 31	86 / 33	85 / 31	83 / 21
max. Housing temperature (T _{c max})	60°C	60°C	60°C	65°C	75°C
max. Ambient temperature (T _{a max})	50°C	50°C	40°C	40°C	35°C

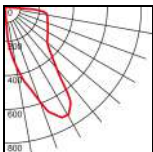
XOOLUM™ R Wall Wash White High Efficiency LD IP20	low output					high output
	LD5	LD10	LD15	LD25	LD40	
Color temperature	luminaire lumens/meter (lm/m)^A					
● W820 2,000K	360	760	1160	1760	-	
● W822 2,200K	400	1890	1890	1890	-	
● W825 2,500K	450	2070	2070	2070	3070	
● W927 W927 2,700K	420	1030	1540	2360	3240	
● W930 W930 3,000K	440	1050	1640	2510	3450	
● W935 W935 3,500K	460	1070	1660	2570	3660	
● W940 W940 4,000K	490	1210	1780	2730	3760	
● W850 5,000K	550	2790	2790	2790	3770	

! To configure the specific luminaire please use the online configurator.

Please note: The orange values are CRI 90 specifications.

AVAILABLE OPTICS (FAMILY)

Wall washer



ORDER CODE

Example:

XOOLUM R HYD LD5 W820 / -S-WW-NA-BS-X
IP20

TYPICAL APPLICATIONS

CONFIGURE NOW!

Options for the order code: Your selections :

LED tape

- LD5 (5 W/m) LD5
- LD10 (10 W/m) LD10
- LD15 (15 W/m) LD15
- LD25 (25 W/m) LD25
- LD40 (40 W/m) LD40

Color temperature

- 2,000 K W820
- 2,200 K W822
- 2,500 K W825
- 2,700 K W927 / W927
- 3,000 K W930 / W930
- 3,500 K W935 / W935
- 4,000 K W940 / W940
- 5,000 K W850

Please note: The orange values are CRI 90 specifications.

Length

- L_{min}: 135 mm 0135
- L_{max}: 4,010 mm 4010

Fixture build to length (not field cuttable): $L = (N \times 125 \text{ mm}) + 10 \text{ mm}$; $N = 1 \dots$ (as follows); L_{min} = 135 mm, LD5/LD10/LD15: N_{max} = 32; L_{max} = 4,010 mm; LD25: N_{max} = 24; L_{max} = 3,010 mm; LD40: N_{max} = 16; L_{max} = 2,010 mm

Housing color

- Silver S
- Black B

Lighting head

- Non adjustable NA
- Adjustable A

Cable Feed

- Back side, 2 m (through mounting channel) BS
- Front side, 2 m (through end caps) FS

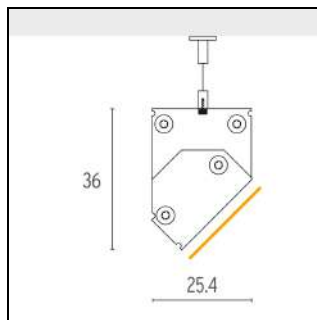
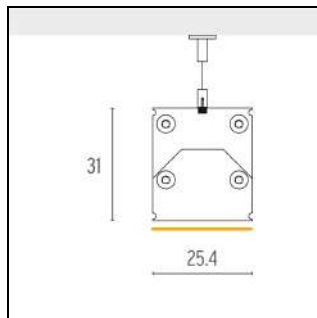
Mounting type

- Surface (can be upgraded to pendant with accessories) X
- Low voltage pendants (no cable) L



MOUNTING

1. Pendant



Mounting accessories



VarioPendant 007 slide silver
Pendant set slideable for VarioContour 007
Art.-#: 13000157



VarioPendant 007 slide black
Pendantset slideable for VarioContour 007
Art.-#: 13000158



VarioCANOPY Square Mounting set (optional) for pendant ceiling installations on concrete ceilings
Art.-#: 16000347

Description

Pendant set for installations directly on the ceiling. 2 m wire is cuttable on site.

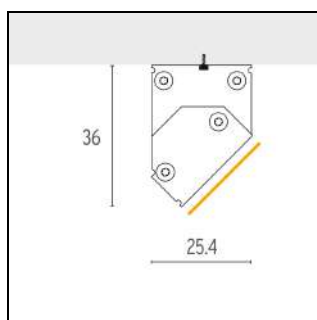
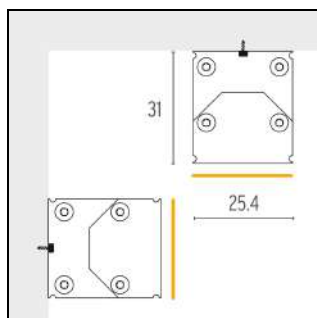
Pendant set for installations directly on the ceiling. 2 m wire is cuttable on site.

Pendant set with screws for installations directly on the ceiling. Recommended to use every 1 m.

Example of application



2. Surface-mounted, fixed

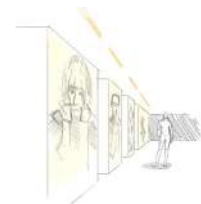


Mounting accessories

No additional accessories are required for this mounting option

Description

Example of application



3. Surface-mounted, adjustable

Mounting accessories

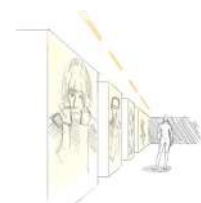


XOOLUM Swivel-Angle Set +/- 45°
2 parts
Art.-#: 13000081

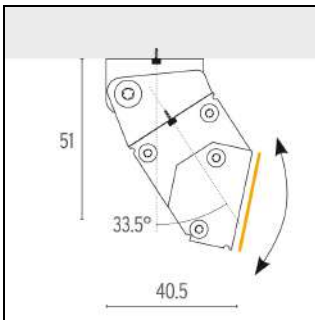
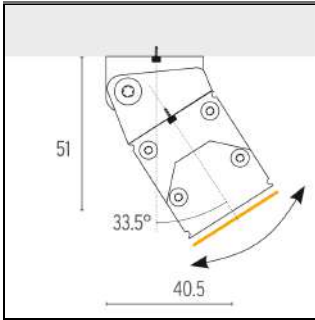
Description

Adjustable clip for extra 45° tilt.

Example of application



XOOLUM™ R Wall Wash White High Efficiency LD IP20



POWER SUPPLY UNIT (PSU) & CONTROLS

Recommended PSU

VarioPSU 24V/100W IP20, DALI/SWD
Art.-#: 16000182



Dimensions (L x H x W) : **250 mm x 30 mm x 43 mm**
 Electrical Class: **SK II**
 LED Drive: **CV**
 Voltage (V): **24 V**
 Rated Power (W): **100 W**
 Input Voltage (Vac): **220 – 240**
 Region: **EU**
 Certificates: **ENEC, EAC**
 Schutzart: **IP20**
 Indoor/Outdoor: **Indoor**

Recommended Control

IN.finite™ CASAMBI 2Ch CV
Art.-#: 16000267-EVO



Dimensions (L x H x W) : **188 mm x 21 mm x 30 mm**
 Channels: **2**
 Dimming Options: **Casambi BLE**
 Dimming: **PWM (f ~ 1600Hz)**
 Dimming Curve: **Lin/Log/free conf.**
 Dimming Range: **100% - 0%**
 Voltage (V): **12 – 50 V**
 Certificates: **CE**
 Schutzart: **IP20**
 Indoor/Outdoor: **Indoor**

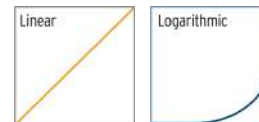
Recommended PSU

VarioPSU 24V/100W IP20, ON/OFF
Art.-#: 16000365



Dimensions (L x H x W) : **186 mm x 31 mm x 60 mm**
 Electrical Class: **SK II**
 LED Drive: **CV**
 Voltage (V): **24 V**
 Rated Power (W): **100**
 Input Voltage (Vac): **220 – 240**
 Region: **EU**
 Schutzart: **IP20**
 Indoor/Outdoor: **Indoor**

Dimming



Recommended PSU

VarioPSU 24V/100W IP20, ON/OFF
Art.-#: 16000369



Dimensions (L x H x W) : **298 mm x 16.5 mm x 30 mm**
 Electrical Class: **SK II**
 LED Drive: **CV**
 Voltage (V): **24 V**
 Rated Power (W): **100**
 Input Voltage (Vac): **120 – 240**
 Region: **WR**
 Certificates: **ENEC, UL**
 Schutzart: **IP20**
 Indoor/Outdoor: **Indoor**

VOLTAGE DROP INFORMATION FOR THE FEED-IN LINE (PSU / CONTROL TO FIXTURE)

0.34 mm² / AWG 22

XOOLUM™ R Wall Wash White High Efficiency LD IP20	LD5	LD10	LD15	LD25	LD40
Product run Length	max. cable length between PSU / Control unit and the luminaire				
1 m	38.8 m	19.4 m	12.9 m	7.7 m	4.8 m
2 m	19.4 m	9.7 m	6.4 m	3.8 m	2.4 m
3 m	12.9 m	6.4 m	4.3 m	2.5 m	-
4 m	9.7 m	4.8 m	3.2 m	-	-
5 m	-	-	-	-	-
6 m	-	-	-	-	-
7 m	-	-	-	-	-

1.5 mm² / AWG 15

XOOLUM™ R Wall Wash White High Efficiency LD IP20	LD5	LD10	LD15	LD25	LD40
Product run Length	max. cable length between PSU / Control unit and the luminaire				
1 m	171.3 m	85.6 m	57.1 m	34.2 m	21.4 m
2 m	85.6 m	42.8 m	28.5 m	17.1 m	10.7 m
3 m	57.1 m	28.5 m	19 m	11.4 m	-
4 m	42.8 m	21.4 m	14.2 m	-	-
5 m	-	-	-	-	-
6 m	-	-	-	-	-
7 m	-	-	-	-	-

Calculation refers to the cable configuration on site.

The information listed in the table is only refers to the conductor-based voltage drop of max. 0.85V at 24V DC input voltage.

Regarding the electromagnetic compatibility (EMC) the maximum cable length is defined by the power supply manufacturer.

A cable length between power supply and planned product longer than indicated by the datasheet of the power supply is possible. However the electromagnetic compatibility can then be influenced by the conditions of the installation site. There is no data on electromagnetic compatibility for longer cable lengths, which might lead to the necessity of an evaluation of the electromagnetic compatibility by a third party.

Datasheets and mounting instructions of the components in combination with the planned product must be carefully read and followed.