

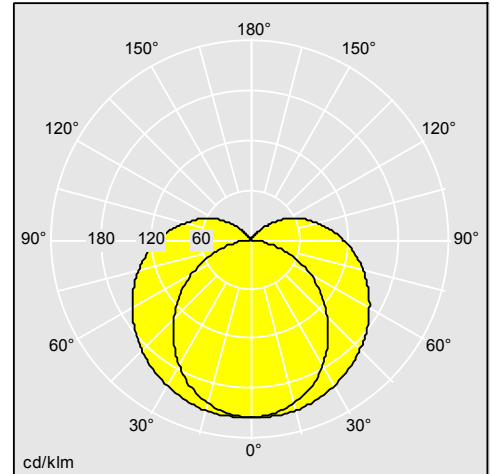
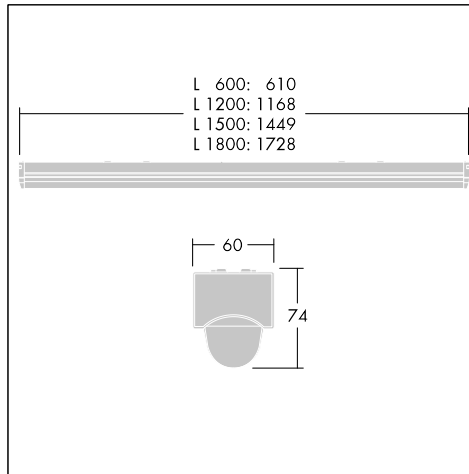
PopPack

PopPack LED batten

- LED one for one replacement for single and twin T8/T5 fluorescent battens
- Up to 153lm/W - exceeding building regulation requirements
- Optional screws can be added to end caps to lock the housing to ensure increased security
- Additional savings can be achieved via DALI control and an integral PIR sensor.



Photographs, line drawings and photometric data are representative only. For specific product detail please select an individual product.



96242251

Material/Finish

Batten: pre-coated roll form steel, white (RAL9016)
 End caps/lamp holders: injection moulded polycarbonate, white
 Diffuser: textured opal acrylic

Installation/Mounting

1 or 2 x (3 x 2 x 2.5mm²) terminal blocks with capacity for loop in/out 2.5mm² cables. Ambient temperature: -20 to +25°C for the standard product, 0 to 25°C for the emergency versions, normal, dry, indoor atmospheres. Suitable for direct surface mounting, BESA mounting or wire suspension. Easy alignment through slots in the spine. Optional screws can be added to end caps to lock the housing.

Specification

To specify state:

LED batten with a detachable LED engine. Switchable or DALI ballast, integral emergency and sensor versions available.
 As Thorn PopPack LED

PopPack

Ordering Guide

Description	ILCOS Code	Socket	Wt (kg)	SAP Code
PopPack battens				
POPPACK LED 6500-840 HF L1800	LED		1,8	96631566
POPPACK LED 11000-840 HF L1800	LED		1,8	96631570
POPPACK LED 3000-830 HF L1200	LED		1,4	96631574
POPPACK LED 4500-830 HF L1200	LED		1,4	96631575
POPPACK LED 7000-830 HF L1200	LED		1,4	96631576
POPPACK LED 5000-830 HF L1500	LED		1,7	96631578
POPPACK LED 6000-830 HF L1500	LED		1,7	96631579
POPPACK LED 6500-830 HF L1800	LED		1,8	96631580
POPPACK LED 3000-840 HF L1200	LED		1,3	96631538
POPPACK LED 4500-840 HF L1200	LED		1,4	96631542
POPPACK LED 7000-840 HF L1200	LED		1,4	96631546
POPPACK LED 5000-840 HF L1500	LED		1,7	96631554
POPPACK LED 6000-840 HF L1500	LED		1,7	96631558
POPPACK LED 9000-840 HF L1500	LED		1,7	96631562
POPPACK LED 1700-840 HF L600	LED		0,74	96634320
POPPACK LED 2300-840 HF L600	LED		0,74	96634321
PopPack battens, dimmable				
POPPACK LED 9000-840 HFI L1500	LED		1,7	96631564
POPPACK LED 6500-840 HFI L1800	LED		1,8	96631568
POPPACK LED 11000-840 HFI L1800	LED		1,8	96631572
POPPACK LED 3000-840 HFI L1200	LED		1,4	96631540
POPPACK LED 4500-840 HFI L1200	LED		1,4	96631544
POPPACK LED 7000-840 HFI L1200	LED		1,4	96631548
POPPACK LED 5000-840 HFI L1500	LED		1,7	96631556
POPPACK LED 6000-840 HFI L1500	LED		1,7	96631560
POPPACK LED 1700-840 HFI L600	LED		0,83	96634322
POPPACK LED 2300-840 HFI L600	LED		0,83	96634323
PopPack battens, emergency				
POPPACK LED 9000-840 HF E3 L1500	LED		2,3	96631563
POPPACK LED 6500-840 HF E3 L1800	LED		2,5	96631567
POPPACK LED 11000-840 HF E3 L1800	LED		2,5	96631571
POPPACK LED 3000-840 HF E3 L1200	LED		2	96631539
POPPACK LED 4500-840 HF E3 L1200	LED		2	96631543
POPPACK LED 7000-840 HF E3 L1200	LED		2	96631547
POPPACK LED 5000-840 HF E3 L1500	LED		2,3	96631555
POPPACK LED 6000-840 HF E3 L1500	LED		2,3	96631559
PopPack battens, dimmable, emergency				
POPPACK LED 9000-840 HFI E3 L1500	LED		2,3	96631565
POPPACK LED 6500-840 HFI E3 L1800	LED		2,5	96631569
POPPACK LED 11000-840 HFI E3 L1800	LED		2,5	96631573
POPPACK LED 3000-840 HFI E3 L1200	LED		2	96631541
POPPACK LED 4500-840 HFI E3 L1200	LED		2	96631545
POPPACK LED 7000-840 HFI E3 L1200	LED		2	96631549

PopPack

Description	ILCOS Code	Socket	Wt (kg)	SAP Code
POPPACK LED 5000-840 HFI E3 L1500	LED		2,3	96631557
POPPACK LED 6000-840 HFI E3 L1500	LED		2,3	96631561
PopPack battens, with sensor				
POPPACK LED 3000-840 PIR L1200	LED		1,4	96631581
POPPACK LED 4500-840 PIR L1200	LED		1,4	96631582
POPPACK LED 7000-840 PIR L1200	LED		1,4	96631583
POPPACK LED 5000-840 PIR L1500	LED		1,7	96631585
POPPACK LED 6000-840 PIR L1500	LED		1,7	96631586
POPPACK LED 9000-840 PIR L1500	LED		1,7	96631587
POPPACK LED 6500-840 PIR L1800	LED		1,8	96631588
POPPACK LED 11000-840 PIR L1800	LED		1,8	96631589
PopPack Accessories				
SWITCHLITE CC PROGRAMMER			0,017	96240295
POPPACK LED WIRE SUSPENSION KIT 2M			0,25	96627711
POPPACK LED WIRE GUARD 1,2M			0,69	96627902
POPPACK LED WIRE GUARD 1,8M			1,04	96627903
POPPACK LED WIRE GUARD 1,5m			0,74	96628147
POPPACK LED GROMMET KIT			0,035	59010377
POPPACK LED SCREW KIT x20			0,06	59010828
POPPACK LED SCREW KIT x100			0,08	59010829