



## INTRODUCTION SAVE ENERGY WITH NIVISS

The Ground series was designed using modern simulation methods in order to obtain the highest product quality. Ground series fixtures are made of top-quality materials such as marine grade steel, high-purity glass for optical applications, and modern CREE LEDs.

- Based on CREE® LEDs
- 230V AC / 12-24V on request
- Made of 316L steel
- Power: 20W / 18W
- IP67 / IP68
- 5-year warranty
- Round or square front
- Also available with an aluminum body

## APPLICATIONS The Niviss Ground Medium fixture can be used for lighting many places and objects such as:

- parks
- gardens
- squares
- premises
- plants
- exterior walls

## SPECIFICATION

| LIGHT COLOUR             | COMFORT WHITE             | WARM WHITE   | NEUTRAL WHITE | COOL WHITE   |
|--------------------------|---------------------------|--------------|---------------|--------------|
| Colour Temperature*      | 2700 ± 150 K              | 3000 ± 150 K | 4000 ± 250 K  | 5000 ± 250 K |
| Effective Lumen Output** | 1450 lm                   | 1450 lm      | 1650 lm       | 1650 lm      |
| CRI                      | ≥ 80                      |              |               |              |
| Viewing Angle [FWHM]     | 25°, 50°                  |              |               |              |
| Input Voltage            | 230V AC 50Hz / 12V/24V DC |              |               |              |
| Power Consumption        | 20W / 18W                 |              |               |              |
| Operating Temperature    | -20°C + +55°C             |              |               |              |
| Dimensions               | Ø148mm                    |              |               |              |
| Cable Type               | H07RN-F 3G1 / 2X1.5       |              |               |              |
| Cable Length             | 0.5m                      |              |               |              |
| IP Rating                | IP67 / IP68               |              |               |              |
| Lifetime***              | ≥ 60 000 h                |              |               |              |

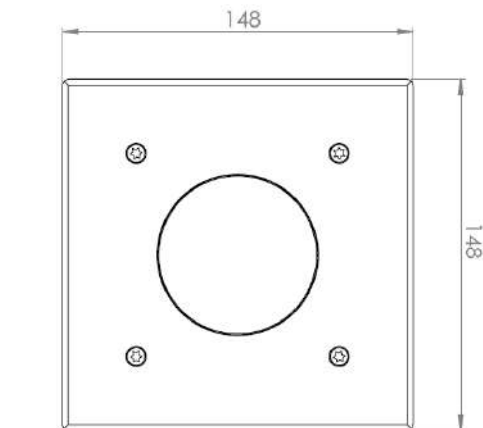
\* Other CCTs and colours available on request.

\*\* Source performance in real-life conditions at Ta=25°C; includes optical losses; the tolerance of source lumen output is 5%.

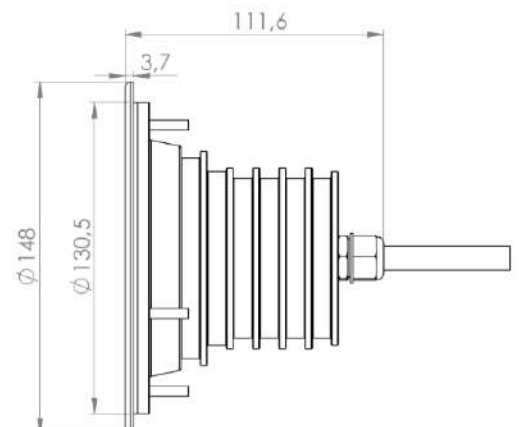
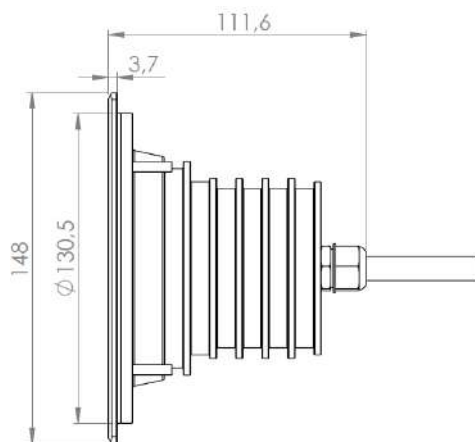
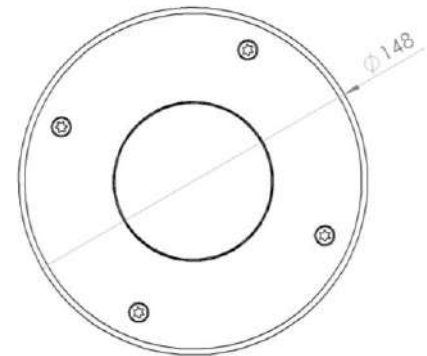
\*\*\* Approximate lifetime of LEDs declared by Cree® at Ta=25°C (for 90% of initial light output) and other electronic components

## DIMENSIONS [mm]

### SQUARE FRONT



### ROUND FRONT

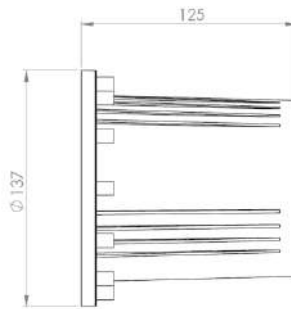


**Contact:** +48 58 781 33 99 [sales@niviss.com](mailto:sales@niviss.com) [www.niviss.com](http://www.niviss.com)  
 NIVISS reserves the right to make technical changes without prior notice.

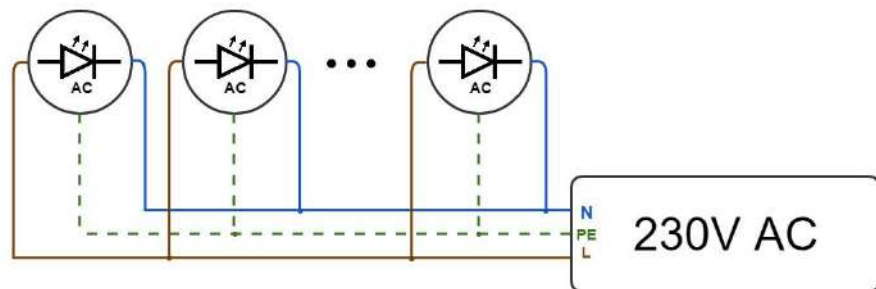
**CREE**   
 ▶ LED Solution Provider

ACCESSORIES

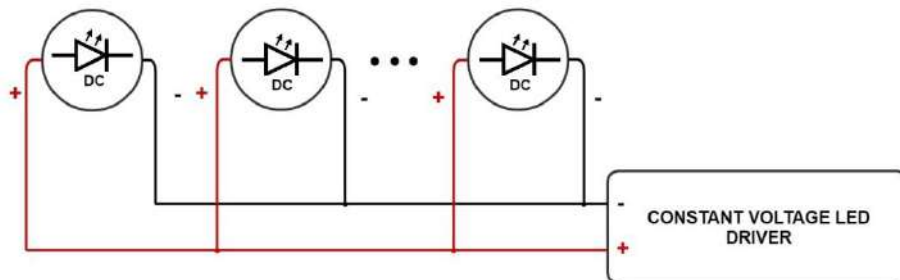
GROUND-MEDIUM-ABS



ELECTRICAL INSTALLATION



Connecting to the power supply should be done when the power supply is off.



Connecting to the power supply should be done when the power supply is off.

ORDER CODE FORMAT

LV - 18 W  
HV - 20 W  
POWER

24 - 24 degrees  
50 - 50 degrees  
FWHM ANGLE

SA - Steel front and aluminum body  
SS - Steel front and body  
MATERIAL OF THE FRONT / BODY

**GROUND MEDIUM - 20 - VW - 24 - SQ - SA - LV**

FAMILY

CCT  
VW - 2700K  
WW - 3000K  
NW - 4000K  
CW - 5000K

FRONT PLATE  
SQ - Square  
RD - Round

SUPPLY VOLTAGE  
LV - 12V/24V DC  
HV - 230V AC, 50Hz

ENVIRONMENTAL CAUTION



Caution!

It is prohibited to dispose of obsolete and waste electrical and electronic equipment together with regular household wastes. They should be properly sorted and recycled. Old electrical and electronic equipment should be returned to a waste collection point established by a waste-management service. Waste electrical and electronic equipment can be broken down to base materials and then recycled. For more information regarding waste management please contact your local authorities, waste-management service or the seller of electrical and electronic devices.