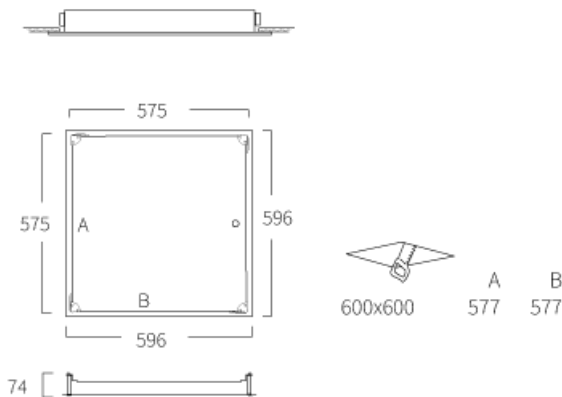
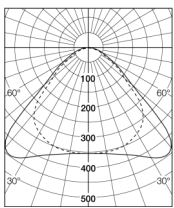


Art.no. 23620

EAN 7320046456849



Recessed or surface mounted with Delta louvres and PEGT sheet in various sizes for demanding and safe environments. IK 10. Dust and moisture proof with IP 65 beneath suspended ceilings, and IP 50 above suspended ceilings.

Installation Recessed or surface mounted. The recessed model is suitable for fixed suspended ceilings or suspended ceilings with visible T-bars. Suspension fittings in the corners, tamper-proof torx.

Connection Connection in separate driver box. The driver box can be positioned next to the luminaire. Snap-in terminal block 3x1.5 mm² (when dimming 5x1.5 mm²). Version with Tunable White or Tunable White/Amber night light is connected in terminal block at the top of the luminaire. The surface mounted model has cable entries fitted with blanking grommets on the back and in each end-cap and snap-in terminal block.

Design Luminaire body in extruded aluminium and enamelled sheet steel. Surface mounted model in white enamelled sheet steel (RAL 9016).

Louvre Delta – microprismatic acrylic louvre (PMMA) with impact resistant PETG plastic protective glass.

Dimming Tunable White / Amber night light requires 2 DALI addresses.

Miscellaneous Recessed model IP 65 under suspended ceiling, IP 50 above. Surface mounted model IP 65.

Versions with Amber:

Art.no. 23608 – 30 W, 1998 lm, 67 lm/w, 600x600.

Art.no. 23610 – 14 W, 1063 lm, 76 lm/w, 300x600.

Luminaires with Tunable White and Amber Nightlight are listed with values for 4000 K. Please refer to Miscellaneous for Amber Nightlight system wattage, luminous flux and efficiency.

Multilume Hydro Robust LED

Direct, Recessed

DESIGN

Installation Recessed	Module 600x600
Light distribution Direct	Louvre Delta

LIGHT DATA & PERFORMANCE

Lumen output 4352	lm/W 130
CCT, K 4000	CRI 80
SDCM 3	Lumen maintenance 50 000 h L90
Lumen maintenance 75 000 h L85	Lumen maintenance 100 000 h L81
Lumen maintenance L90 B50, h 50 000	LED driver, h/max failure % 100000/10
Energy class, LED module C	

CONTROLS & CONNECTIVITY

Driver brand Tridonic

ELECTRICITY & ENCLOSURE

Rated supply voltage, V 220-240	Mains frequency, Hz 0, 50, 60
Protective class 1	IP rating 65
IP rating (above suspended ceilings) 50	IK rating 10
System Wattage 33	Min. ambient temperature, °C -25
Max. ambient temperature, °C 25	MCB B10A, pcs 11
MCB B16A 17	MCB C10A 18
MCB C16A 28	THD, % 10
Surge protection CM, kV/kA 2	Surge protection DM, kV/kA 1
Power factor, 100 % 0.97	

DIMENSIONS

Length, mm 596	Width, mm 596
Height, mm 74	Weight, kg 7.8