

# joy



**Size:** Ø85x292mm | Ø65x253mm

**Power:** 25W | 20W | 15W | 12W | 10W

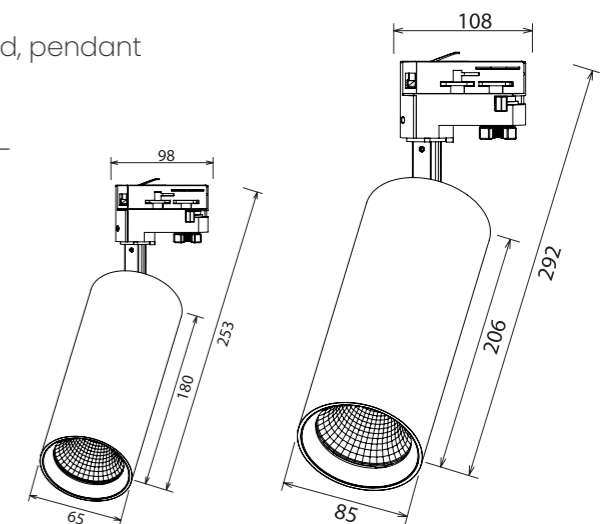
**Material:** Powder-coated Aluminum die-cast housing, tempered glass, aluminum reflector

**Color Temperature:** Adj. CCT-3000K/4000K

**Color:** ■

**Mounting:** Track light, ceiling surface light, recessed, pendant

**For indoor applications:** for residential or commercial use in living rooms, bedrooms, corridors, lobbies, hotels, art-galleries, museums, supermarkets, bars, restaurants, schools, etc.



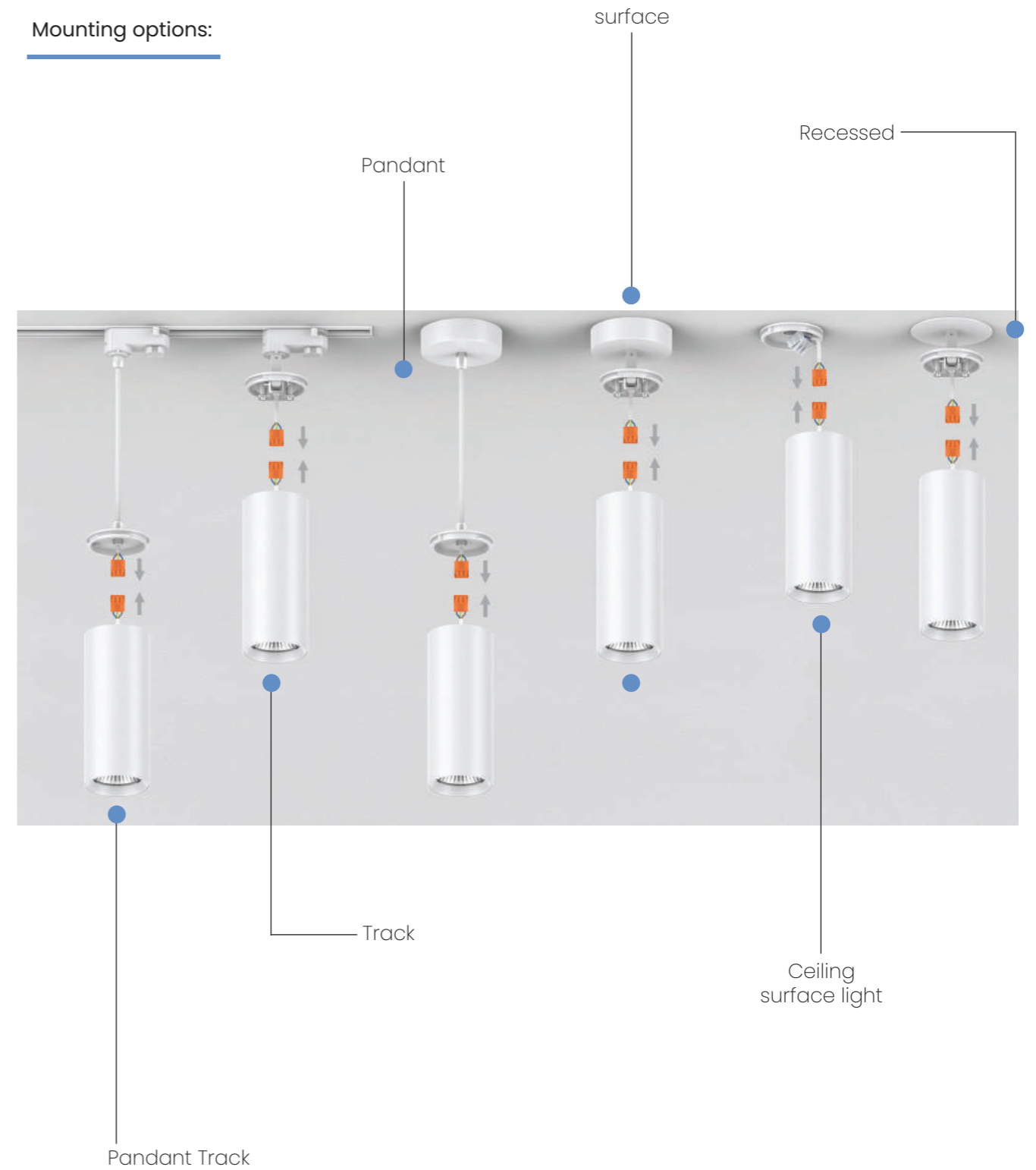
Versatile Brilliance. Embrace the joy of versatility with this exceptional series of LED lighting fixtures. With its adaptable design, effortlessly switch between track, surface, recessed, and pendant installations. Experience anti-glare illumination, adjustable light color, changeable optics, and the option to accentuate your design with a luxurious gold, sleek black, or pristine white inset ring.



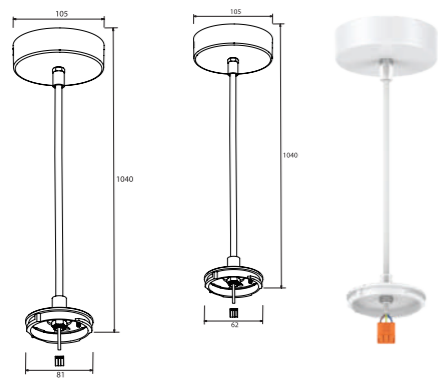
# joy



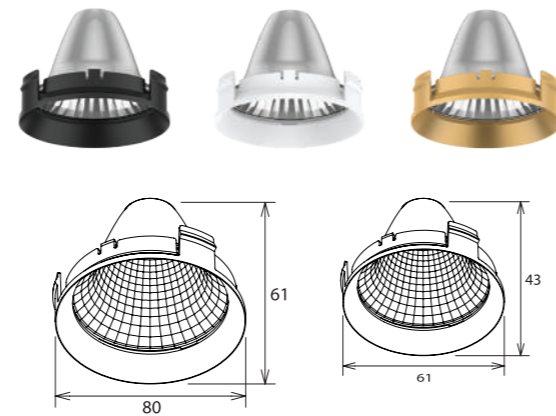
Mounting options:



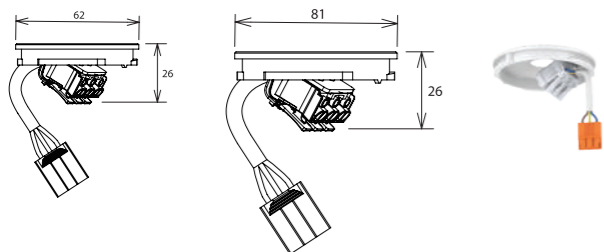
Pendant accessory



Replacable Decorative Optic Reflector



Surface accessory



Adjustable Surface accessory

