

Entry / ECO

Standard / STD

Professional / PRO

ODM & OEM

Intelligent / INT



LED Downlight
DL269A/B Series



Introduction

This new surface mounted downlight has a complete size options, it has faceted and specula reflector design for different optic reflection. Screwless on surface and tempered glass in front part, which offer a better appearance, high protection level and convenient installation. Two options for optic combination: Type A COB LED chip+lens+reflector, Type B SMD LED chip+diffuser+reflector.

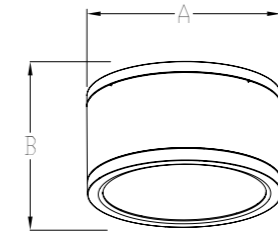
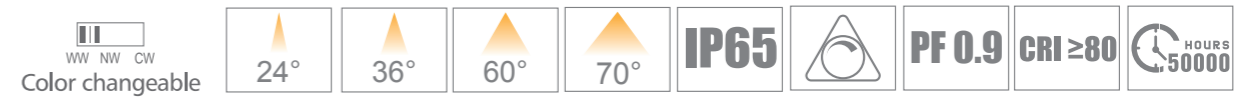
Features

- Faceted and Specular reflector options.
- IP65 waterproof, IK06 protection level.
- Type A COB version is UGR<19, with 24°/36°/60° lens options.
- Type B SMD version: Interchangeable CCT available, 3000K+4000K+5700K with slide switch.
- Size options: 3inches/5inches/6inches/8inches/10inches.
- Internal flicker free driver.
- Triac dimming/DALI dimming available (Do not include 3 inch) .

Application Areas

It is designed for general lighting applications in Retails, conference rooms, hotels, restaurants, Foyers, corridors, and living spaces, etc...





Measurement

Code	Dimension(mm)		Size(mm)	Product Weight (Kg)		Package weight (Kg)		Carton Size(cm)	Qty/CTN	20GP (pcs)	40HQ (pcs)
	A	B		N.W/PC	G.W/PC	N.W/CTN	G.W/CTN				
DL269A/B-3	90	107	Ø90*H107	0.6	0.646	11.6	12.2	36.5x24.5x46	18	12690	28620
DL269A/B-5	130	115	Ø130*H115	0.92	1.01	12.1	12.8	50x33.5x32	12	6168	14700
DL269A/B-6	160	110	Ø160*H110	1.18	1.313	7.9	8.4	40x20.5x45.5	6	4620	10386
DL269A/B-8	214	119	Ø214*H119	2.2	2.48	14.9	15.6	51.5x26x49	6	2376	5568
DL269A/B-10	250	125	Ø250*H125	2.8	3.18	12.7	13.5	61x31x36	4	1588	3724

Technical Data Sheet(1)

Code No.	DL269A/B-3-10W	DL269A/B-3-15W	DL269A/B-5-18W	DL269A/B-5-25W	DL269A/B-6-25W	DL269A/B-6-30W		
Dimension(mm)	Ø90*H107		Ø130*H115		Ø160*H110			
Cutout (mm)	-							
Watt(W)	10W	15W	18W	25W	25W	30W		
Rated Input Voltage(V)	AC220-240V							
Input Voltage(V)	AC220-240V							
LED Module Input	-							
Light Source	SMD2835/COB							
SDCM	SMD2835 SDCM≤6 / COB SDCM≤4(Overall)							
CCT(K)	(COB A 1-CCT:2700K/3000K/4000K/5000K) (SMD B 1-CCT:3000K/4000K/5000K/5700K; 3-CCT: 3000K + 4000K + 5700K)							
CCT Selection DIP Switch	YES							
Luminous Flux (lm) ±5%	Non-DIM	1-CCT (DL269A/B)	760-1100	1000-1500	1700-1900	2300-2500	2200-2500	2300-3000
	DIM		750-1050	-	1600-1800	2100-2400	2100-2400	2200-2800
	Non-DIM	3-CCT	750-1100	1000-1200	1600-1800	2100-2400	2100-2400	2200-2700
	DIM		720-1000	-	1500-1750	2000-2300	2000-2300	2200-2600
CRI	80							
Beam Angle (°)	DL269A (24°36°60°) DL269B (70° 3inch & 75° 5inch/6inch)							
UGR	DL269A	<19	<22	<19	<19 (60°<22)	<19		
	DL269B	<25						
LED Driver	Built-in							
Dimming Option	Triac/ DALI (NO 3 inch, 5 inch 25W)							
Sensor	NO							
Emergency Kits	NO							
Electrical Class	Class I							
Ingress Protection (IP Rating)	IP65							
Impact Resistance (IK Rating)	IK06							
Product Finishing(Base)	White RAL 9016 / Black RAL 9005							
Materials of Optics	PC+Tempered Glass							
Materials of Housing	Aluminum Die-Casting							
Lifetime (hr)	>50000H							
Glow wire test (°C)	750°C							
Operating Temp. (°C)	-20°C ~40°C							
Storage Temp. (°C)	-20°C ~65°C							
Installation	Surface mount							

Technical Data Sheet(2)

Code No.	DL269A/B-8-25W	DL269A/B-8-35W	DL269A/B-10-35W	DL269A/B-10-40W	DL269A/B-10-45W		
Dimension(mm)	Ø214*H119		Ø250*H125				
Cutout (mm)	-						
Watt(W)	25W	35W	35W	40W	45W		
Rated Input Voltage(V)	AC220-240V						
Input Voltage(V)	AC220-240V						
LED Module Input	-						
Light Source	SMD2835/COB						
SDCM	SMD2835 SDCM≤6 / COB SDCM≤4(Overall)						
CCT(K)	(COB A 1-CCT:2700K/3000K/4000K/5000K) (SMD B 1-CCT:3000K/4000K/5000K/5700K; 3-CCT: 3000K + 4000K + 5700K)						
CCT Selection DIP Switch	YES						
Luminous Flux (lm) ±5%	Non-DIM	1-CCT (DL269A/B)	2300-2500	3300-3500	3300-3500	3800-4200	4200-4600
	DIM		2100-2400	3000-3400	3150-3400	3700-4000	4000-4500
	Non-DIM	3-CCT	2100-2400	3100-3300	3100-3300	3600-4100	4200-4500
	DIM		2000-2300	2800-3200	3100-3300	3500-4000	4100-4400
CRI	80						
Beam Angle (°)	DL269A (24°36°60°) DL269B 75°						
UGR	DL269A	<19	<25				
	DL269B	<25					
LED Driver	Built-in						
Dimming Option	Triac/ DALI				Triac		
Sensor	NO						
Emergency Kits	NO						
Electrical Class	Class I						
Ingress Protection (IP Rating)	IP65						
Impact Resistance (IK Rating)	IK06						
Product Finishing(Base)	White RAL 9016 / Black RAL 9005						
Materials of Optics	PC+Tempered Glass						
Materials of Housing	Aluminum Die-Casting						
Lifetime (hr)	>50000H						
Glow wire test (°C)	750°C						
Operating Temp. (°C)	-20°C ~40°C						
Storage Temp. (°C)	-20°C ~65°C						
Installation	Surface mount						

Driver Datasheet (Non-dimmable)

Total load wattage		10W	15W	18W	25W	30W	35W	40W	45W
Output	Output Voltage range	DC30-40V							
	Rated output current	230mA	350mA	450mA	600mA	800mA	860mA	1000mA	1100mA
	Line Regulation	±5%							
	Setup, Rise Time	<0.5S @230V							
	Flickering Index	1% ; IEEE1789 NO RISK							0.5%(NO RISK)
Input	Input Voltage	AC180-265V							AC200-264V
	Rated Input Voltage(V)	AC200-240V							AC220-240V
	Frequency	50/60HZ							
	Input Current	0.07A	0.1A	0.12A	0.16A	0.2A	0.23A	0.25A	≤0.25A
	Rated Input Current	0.06A	0.09A	0.1A	0.14A	0.18A	0.21A	0.23A	≤0.23A
	Power Factor	0.9							
	THD	<20% @230V							
	Efficiency	≥82%	≥84%	≥85%	≥86%				≥88%
	No load wattage	<0.5W @230V							
Protection	Short circuit protection	Pass							
	Over voltage protection	Pass							
	Over temperature protection	Pass							
Safety &EMC	Withstand voltage	I/P-O/P:3.75KVac,<5mA 60S							
	Isolation Resistance	I/P-O/P: 500VDC, ≥100M Ω							
	Surge	IEC61000-4-5(P<25W;L-N:500V,L/N-PE:1KV)			IEC61000-4-5(P ≥ 25W;L-N:1KV,L/N-PE:2KV)				
	EMC Emission	EN55015, EN61000-3-2							
	EMC Immunity	EN61000-4-2,3,4,5,6,8,11; EN61547							

Driver Datasheet (Triac Dimming)

Total load wattage		10W	18W	25W	30W	35W	40W	45W	
Output	Output Voltage range	DC30-40V							
	Rated output current	230mA	440mA	580mA	720mA	800mA	950mA	1050mA	
	Line Regulation	±5%							
	Setup, Rise Time	<0.5S							
	Flickering Index	5.5%(LOW RISK)							
Input	Input Voltage	AC200-240V							
	Rated Input Voltage(V)	AC230V							
	Frequency	50HZ							
	Input Current	0.06A	0.1A	0.14A	0.17A	0.2A	0.23A	0.25A	
	Rated Input Current	0.05A	0.09A	0.13A	0.15A	0.17A	0.2A	0.22A	
	Power Factor	0.9							
	THD	<20% @230V							
	Efficiency	≥80%	≥83%		≥85%				
	No load wattage	<1W							
Protection	Short circuit protection	Pass							
	Over voltage protection	Pass							
	Over temperature protection	Pass							
Safety &EMC	Withstand voltage	I/P-O/P:3.75KVac,<5mA 60S; I/P-FG:1.6KVac,<5mA 60S; O/P-FG:0.5KVac,<5mA 60S							
	Isolation Resistance	I/P-O/P: 500VDC, ≥100M Ω							
	Surge	C61000-4-5(L-N:0.5KV;L/N-PE:1KV)				IEC61000-4-5(L-N:1KV;L/N-PE:2KV)			
	EMC Emission	EN55015, EN61000-3-2							
	EMC Immunity	EN61000-4-2,3,4,5,6,8,11; EN61547							

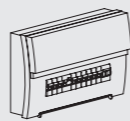
Driver Datasheet (DALI Dimmable)

Total load wattage		10W	18W	25W	30W	35 W	40W
Output	Output Voltage range	DC30-40V					
	Rated output current	250mA	400mA	700mA	800mA	900mA	1000mA
	Line Regulation	±8%	±5%				
	Setup, Rise Time	<0.5S					
	Flickering Index	5.5%					
Input	Input Voltage	AC220-240V					
	Rated Input Voltage(V)	AC230V					
	Frequency	50-60HZ					
	Input Current	0.06A	0.08A	0.13A	0.16A	0.18A	0.21A
	Rated Input Current	0.05A	0.08A	0.13A	0.15A	0.17A	0.2A
	Power Factor	0.9					
	THD	<25% @230V					
	Efficiency	79%			84%		
	No load wattage	<0.5W					
Protection	Short circuit protection	Pass					
	Over voltage protection	Pass					
	Over temperature protection	Pass					
Safety &EMC	Withstand voltage	I/P-O/P:3.75KVac,<5mA 60S; I/P-FG:1.6KVac,<5mA 60S; O/P-FG:0.5KVac,<5mA 60S					
	Isolation Resistance	I/P-O/P: 500VDC, ≥100M Ω					
	Surge	IEC61000-4-5 L-N-PE:2KV					
	EMC Emission	EN55015, EN61000-3-2					
	EMC Immunity	EN61000-4-2,3,4,5,6,8,11; EN61547					

Installation Procedure

WARNING ⚡

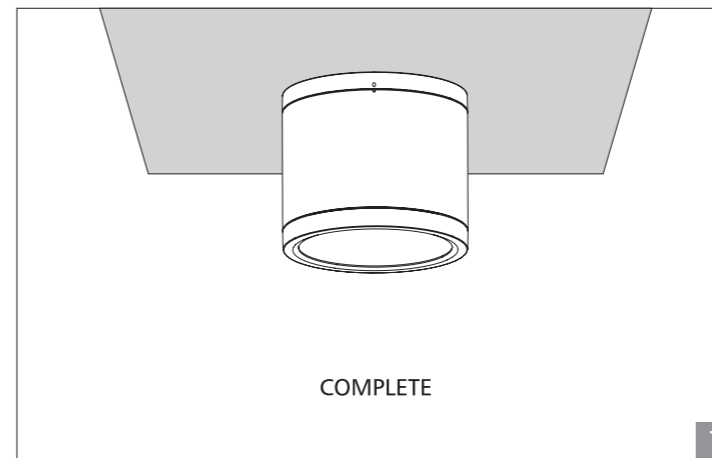
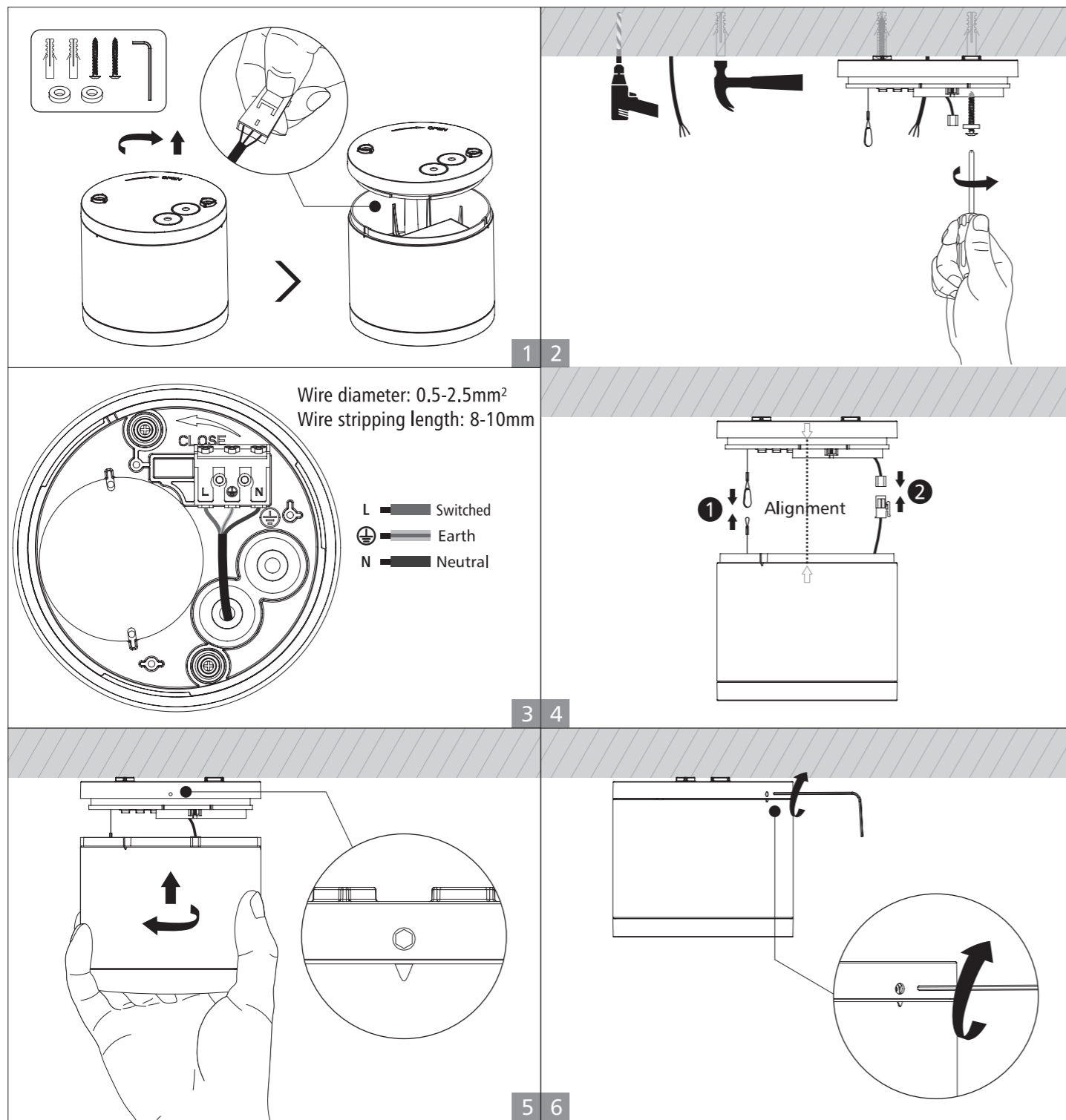
1. Switch off before installation.
2. Switch on only after complete installation and examination of the circuit.
3. Professional electrician for installation and maintenance only.



Turn Off
Power Supply



Rotating surface mounted installation



ECO
Specifications

STD
Specifications

PRO
Specifications

ODM
Specifications


INT
Intelligent

Up to Shine, there is life 光之上，是生活

▼ www.upshine.com info@upshine.com TEL: +86 755 2919 7332 ▼

Add: 2-5 Floor, 2nd Building, Runheng Industrial Zone, Fuyuan 1st Road(West side), Fuyong Sub-district, Bao'an, Shenzhen, China