

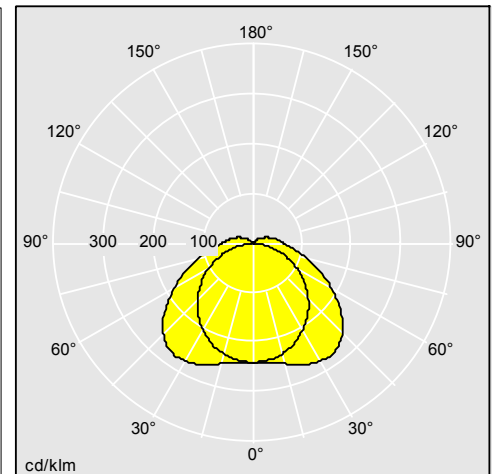
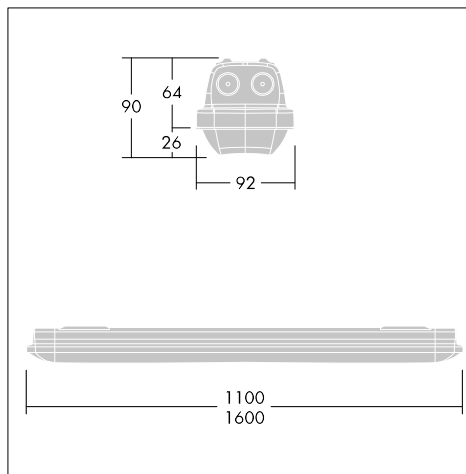
Aquaforce Pro

The IP66 Aquaforce Pro sets a new standard for moisture and dust-resistant LED lighting

- Damp and dusty conditions: IP66 rated luminaire stands against dust and powerful jets of water. It's unique Drip-Edge-Effect stops dirt and moisture from gathering on the luminaire
- Resistant to water, dust, dirt and impact: This robust luminaire is resistant to the elements, with high IP66 and IK08 rating. A clever drip-edge design avoids dust and dirt depositing on the light output surface
- Wireless communication: Can be controlled individually or in groups by presence or light sensors, and luminaires can even connect to each other wirelessly, for sophisticated control without the need to install any new cabling
- Fit for refurbishment: With a wide range of lumen outputs, up to 10.000 lm, the luminaire is suitable to serve as a one-for-one replacement and with efficiency as high as 167lm/W, the potential savings are significant
- Simple to install, use and maintain. Long mounting sliders make for easy installation, while our unique EasyClick mechanism allows simple, snap-on mounting, and seven different wiring possibilities are available
- Now Aquaforce Pro is also available to be mounted on our CONTUS trunking system



Photographs, line drawings and photometric data are representative only. For specific product detail please select an individual product.



96630756

Material/Finish

Canopy: light grey polycarbonate (PC)

Diffuser: polycarbonate (PC), high transmission opal diffuser, combining scattering effects inside material with refraction prisms. Canopy and diffuser are always the same material.

Installation/Mounting

Patented snap-on mechanism EasyClick for rapid, clipless mounting and opening of diffuser. Approved for indoor use or in canopied outdoor areas. Extended mounting slots for highest on site flexibility.

Surface: suitable for direct surface or BESA mounting. 10 cable entry options at 5 different positions. Quick-fix brackets supplied for surface mounting. Suitable for ceiling and wall mounting (both vertically and horizontally).

Chain suspension: mounting kits for conduit, chain suspension and catenary suspension are available as accessories.

Trunking: available for CONTUS trunking system

Aquaforce Pro

Specification

To specify state:

IP66 LED moisture proof luminaire: protection against dust and powerful jets of water. Electronic, fixed output or DALI dimmable control gear. Class I electrical. Medium-beam (MB) light distribution or wide-beam (WB) light distribution, specially adapted for the new norm "Lighting in public car-parks" (DIN 67528) (WB). Patented Drip Edge Effect for limiting dirt deposits on diffuser. 3000K / 4000K; CRI>80; lifetime L80@100.000 hours. High efficiency up to 167 lm/W. Designed for BESA installation. Dimensions: 1100 x 90 x 90 mm (2.900, 4.300 and 5.200 lm and Weight: 1,7 kg) or 1600 x 90 x 90 mm (4.300, 6.400,8.000 and 10000 lm and Weight: 2,1 kg). With control systems, MWS, MWCF, BC, MWBC and MWCFCB. Available also with quick connect and built-in through wiring (integral loop-in/loop-out wiring: 5 x 2.5 mm² + 2 x 1.5 mm²). Nominal power: from 21W to 70W. Complies with the requirements of international food industry standards. Chromaticity tolerance between multiple luminaires of up to 3 MacAdam ellipses.

As Thorn Aquaforce Pro

Ordering Guide AQFPRO S (L=1100), AQFPRO L (L=1600)

Description	ILCOS Code	Socket	Wt (kg)	SAP Code
Aquaforce Pro S				
AQFPRO S LED2900-840 PC MB HF	LED		1,7	96630753
AQFPRO S LED4300-840 PC MB HF	LED		1,7	96630754
AQFPRO S LED5200-840 PC MB HF	LED		1,7	96630755
AQFPRO S LED2900-840 PC MB HF QC3	LED		1,73	96630972
AQFPRO S LED4300-840 PC MB HF QC3	LED		1,73	96630973
AQFPRO S LED5200-840 PC MB HF QC3	LED		1,73	96630975
AQFPRO S LED4300-840 PC WB HF	LED		1,7	92901916
AQFPRO S LED4300-840 PC WB HF TW	LED		1,95	92902506
AQFPRO S LED5200-840 PC WB HF	LED		1,849	92901935
AQFPRO S LED2900-840 PC WB HF	LED		1,7	92901967
AQFPRO S LED4300-840 PM MB HF	LED		1,47	92912152
AQFPRO S LED4300-840 PM WB HF TW	LED		1,72	92918922
AQFPRO S LED4300-840 PM WB HF	LED		1,47	92920522
AQFPRO S LED4300-840 PM MB HF TW	LED		1,72	92922802
Aquaforce Pro S, emergency				
AQFPRO S LED2900-840 PC MB HF E3	LED		2,1	96630981
AQFPRO S LED4300-840 PC MB HF E3	LED		2,1	96630982
AQFPRO S LED4300-840 PC WB HF E3	LED		2,1	92901915
AQFPRO S LED2900-840 PC WB HF E3	LED		2,1	92903219
Aquaforce Pro S, dimmable				
AQFPRO S LED4300-840 PC MB HFI	LED		1,7	96630794
AQFPRO S LED2900-840 PC MB HFI	LED		1,7	96630976
AQFPRO S LED2900-840 PC MB HFI QC5	LED		1,73	96630977
AQFPRO S LED4300-840 PC MB HFI QC5	LED		1,73	96630978
AQFPRO S LED5200-840 PC MB HFI	LED		1,7	96630979
AQFPRO S LED5200-840 PC MB HFI QC5	LED		1,73	96630980
AQFPRO S LED4300-840 PC WB HFI	LED		1,5	92901897
AQFPRO S LED2900-840 PC WB HFI	LED		1,5	92903362
AQFPRO S LED5200-840 PC WB HFI	LED		1,7	92902262
Aquaforce Pro S, dimmable, emergency				
AQFPRO S LED2900-840 PC MB HFI E3D	LED		2,1	96630983
AQFPRO S LED4300-840 PC WB HFI E3D	LED		2,1	92902624
AQFPRO S LED4300-840 PC WB HFI E3DUK	LED		2,1	92901896

Aquaforce Pro

Description	ILCOS Code	Socket	Wt (kg)	SAP Code
AQFPRO S LED4300-840 PC MB HFI E3	LED		2,1	92901892
AQFPRO S LED4300-840 PC MB HFI E3DUK	LED		2,1	92901968
AQFPRO S LED2900-840 PC MB HFI E3DUK	LED		2,1	92902217
AQFPRO S LED2900-840 PC MB HFI E3	LED		2,1	92903541
AQFPRO S LED2900-840 PC WB HFI E3	LED		2,1	92903542
AQFPRO S LED4300-840 PC WB HFI E3	LED		2,1	92903543
Aquaforce Pro S, sensor				
AQFPRO S LED2900-840 PC MB MWS	LED		1,74	96630985
AQFPRO S LED4300-840 PC MB MWS	LED		1,74	96630987
AQFPRO S LED5200-840 PC MB MWS	LED		1,74	96630989
AQFPRO S LED4300-840 PC WB MWS	LED		1,74	92901911
AQFPRO S LED2900-840 PC WB MWS	LED		1,74	92903544
AQFPRO S LED5200-840 PC WB MWS	LED		1,74	92903545
Aquaforce Pro S, sensor, corridor function				
AQFPRO S LED2900-840 PC MB MWCF	LED		1,74	96630986
AQFPRO S LED4300-840 PC MB MWCF	LED		1,74	96630988
AQFPRO S LED5200-840 PC MB MWCF	LED		1,74	96630990
AQFPRO S LED5200-840 PC WB MWCF	LED		1,74	92903061
AQFPRO S LED2900-840 PC WB MWCF	LED		1,74	92903546
AQFPRO S LED4300-840 PC WB MWCF	LED		1,74	92903547
Aquaforce Pro L				
AQFPRO L LED4300-840 PC WB HF	LED		2,1	96630756
AQFPRO L LED6400-840 PC MB HF	LED		2,1	96630757
AQFPRO L LED8000-840 PC MB HF	LED		2,1	96630758
AQFPRO L LED6400-840 PC MB HF QC3	LED		2,13	96630793
AQFPRO L LED4300-840 PC WB HF QC3	LED		2,13	96630971
AQFPRO L LED8000-840 PC MB HF QC3	LED		2,13	96630974
AQFPRO L LED6400-840 PC WB HF	LED		2,1	92901898
AQFPRO L LED6400-840 PC WB HF TW	LED		2,41	92902484
AQFPRO L LED8000-840 PC WB HF	LED		2,5	92901918
AQFPRO L LED4300-840 PC MB HF	LED		2,1	92903815
AQFPRO L LED6400-840 PM MB HF TW	LED		2,41	92909807
AQFPRO L LED8000-840 PM MB HF	LED		2,1	92910472
AQFPRO L LED6400-840 PM WB HF	LED		2,1	92910476
AQFPRO L LED6400-840 PM WB HF TW	LED		2,41	92912605
AQFPRO L LED4300-840 PM WB HF	LED		2,1	92912599
AQFPRO L LED6400-840 PM MB HF	LED		2,1	92920523
AQFPRO L LED6400-840 PM MB HF QC3	LED		2,13	92926172
AQFPRO L LED10000-840 PC MB HF	LED		2,1	96636097
Aquaforce Pro L, emergency				
AQFPRO L LED4300-840 PC WB HF E3	LED		2,5	96631027
AQFPRO L LED6400-840 PC MB HF E3	LED		2,5	96631028
AQFPRO L LED6400-840 PC WB HF E3	LED		2,5	92902855
AQFPRO L LED6400-840 PM WB HF E3	LED		2,5	92929724
AQFPRO L LED6400-840 PM MB HF E3	LED		2,5	92932124

Aquaforce Pro

Description	ILCOS Code	Socket	Wt (kg)	SAP Code
Aquaforce Pro L, dimmable				
AQFPRO L LED4300-840 PC WB HFI	LED		2,1	96631021
AQFPRO L LED4300-840 PC WB HFI QC5	LED		2,13	96631022
AQFPRO L LED6400-840 PC MB HFI	LED		2,1	96631023
AQFPRO L LED6400-840 PC MB HFI QC5	LED		2,13	96631024
AQFPRO L LED8000-840 PC MB HFI	LED		2,1	96631025
AQFPRO L LED8000-840 PC MB HFI QC5	LED		2,13	96631026
AQFPRO L LED6400-840 PC WB HFI	LED		2,1	92901865
AQFPRO L LED8000-840 PC WB HFI	LED		1,7	92901910
AQFPRO L LED4300-840 PC MB HFI	LED		2,1	92902457
AQFPRO L LED4300-830 PC MB HFI	LED		2,1	92904948
AQFPRO L LED4300-830 PC WB HFI	LED		2,1	92904950
Aquaforce Pro L, dimmable, emergency				
AQFPRO L LED6400-840 PC WB HFI E3D	LED		2,5	96630795
AQFPRO L LED4300-840 PC WB HFI E3D	LED		2,5	96631029
AQFPRO L LED6400-840 PC MB HFI E3D	LED		2,5	96631030
AQFPRO L LED6400-840 PC WB HFI E3	LED		2,5	92903301
AQFPRO L LED4300-840 PC WB HFI E3	LED		2,5	92902718
AQFPRO L LED6400-840 PC WB HFI E3DUK	LED		2,5	92903035
AQFPRO L LED4300-840 PC MB HFI E3DUK	LED		2,5	92902006
AQFPRO L LED4300-840 PC WB HFI E3DUK	LED		2,6	92901936
AQFPRO L LED6400-840 PC MB HFI E3DUK	LED		2,5	92902358
AQFPRO L LED4300-840 PC MB HFI E3	LED		2,5	92902878
AQFPRO L LED6400-840 PC MB HFI E3	LED		2,5	92903548
Aquaforce Pro L, sensor				
AQFPRO L LED4300-840 PC WB MWS	LED		2,14	96631031
AQFPRO L LED6400-840 PC MB MWS	LED		2,14	96631033
AQFPRO L LED8000-840 PC MB MWS	LED		2,14	96631035
AQFPRO L LED6400-840 PC WB MWS	LED		2,14	92903037
AQFPRO L LED4300-840 PC MB MWS	LED		2,14	92902004
AQFPRO L LED8000-840 PC WB MWS	LED		2,14	92903549
Aquaforce Pro L, sensor, corridor function				
AQFPRO L LED4300-840 PC WB MWCF	LED		2,14	96631032
AQFPRO L LED6400-840 PC MB MWCF	LED		2,14	96631034
AQFPRO L LED8000-840 PC MB MWCF	LED		2,14	96631036
AQFPRO L LED8000-840 PC WB MWCF	LED		2,14	92901946
AQFPRO L LED6400-840 PC WB MWCF	LED		2,14	92902238
AQFPRO L LED4300-840 PC MB MWCF	LED		2,14	92903550
Aquaforce Pro accessories				
HLD TW AQFPRO			0,1	96631102
AQFPRO FIX/CH KIT			0,003	96631103
AQFPRO MCA KIT			0,1	96631104
DIFFUSER AQUAFORCE PRO S PC WB			1,3	96631121
DIFFUSER AQUAFORCE PRO S PC MB			1,3	96631122
DIFFUSER AQUAFORCE PRO L PC WB			1,912	96631123

Aquaforce Pro

Description	ILCOS Code	Socket	Wt (kg)	SAP Code
DIFFUSER AQUAFORCE PRO L PC MB			1,912	96631124
HOUSING AQUAFORCE PRO S			0,936	96631125
HOUSING AQUAFORCE PRO L			1,354	96631126
MOUNTING SET AQUAFORCE PRO			0,3	96631127