

XOOLUX NANO White IP65

Area: **Outdoor Luminaires**

Category: **Grazer**

Mounting: **Ceiling / Surface-mounted / Glare controlled**



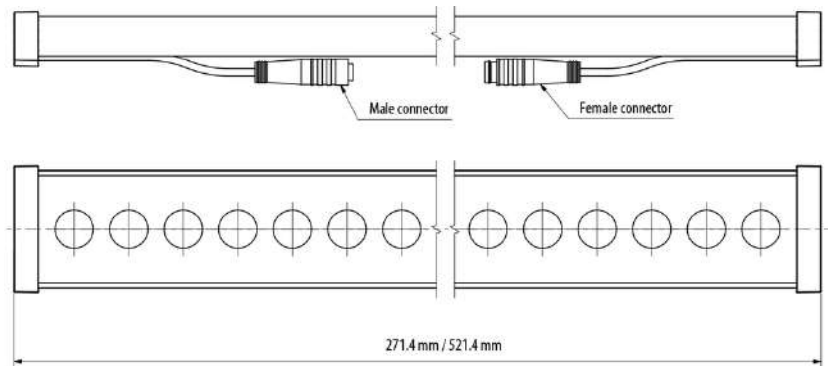
XOOLUX NANO is a minimalistic and flat luminaire designed primarily for grazing applications. The updated IP classification now stretch to IP65, meaning suitable for canopied outdoor applications.

- Nano lens optics allow precise control of the light distribution while maximizing lumen output and minimalizing color over angle for crisp and homogeneous grazing.
- Different light distributions makes XOOLUX NANO the goto product for grazing as well as delicate flooding applications.
- Further improving flexibility is achieved through the use of mounting clips, enabling tilt angles every 5° increments from 0° to 45°.

Detailed specification text in download section.

DIMENSIONS & AVAILABLE LENGTHS

41.4 mm x 17.7 mm



2 Standard lengths (L): 271.4 mm / 521.4 mm

TECHNICAL SPECIFICATIONS

Certifications



Family Key Features



NanoRay technology



Surface-mounted / Ceiling

Awards



Technical Data/Performance



Static White



IP65



Lifetime



OneBinOnly



Photometrical code



SDCM3



CIE S-025 compliant



LM80 compliant



Reel-to-Reel (R2R) production



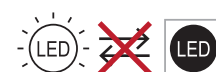
Resistant to solvents



Saltwater resistant



Temporary immersion protection



Compliant with EU ECODESIGN guidelines

ELECTRICAL & OUTPUT DATA

Voltage	24 Volt (23 V _{min} , 25 V _{max})
Housing temperature (T _{Cmin} & T _{Cmax})	T _{Cmin} = -25°C, T _{Cmax} = specific, see Table below
Storage Temperature (T _{Smin} & T _{Smax})	T _{Smin} = -30°C, T _{Smax} = 85°C
Ambient temperature (T _{Amin} & T _{Amax})	T _{Amin} = -25°C, T _{Amax} = specific, see Table below

Power (W/m)A	5	10	15	25	40
Power (W/m)A	5	10	15	25	40
max. efficacy (lm/W)A	82	79	78	75	69
max. length (m)	0.521	0.521	0.521	0.521	0.521
max. serial run length (m)	7.5	5.0	5.0	3.0	2.0
CRI / R9 (up to)	95 / 86	95 / 86	95 / 86	95 / 86	95 / 86
Temperature T _c -point (T _{Cmax})B	60°C	60°C	60°C	60°C	75°C
max. ambient temp. (T _{Amax})	50°C	50°C	50°C	45°C	35°C

Color code / Color temperatureC	low output high output						
	Luminaire lumens/meter*, **, *** (lm/m)A						
W822	320					1930	
W822	2,200 K	320		580	920	1370	1930
W927	2,700 K	310		565	870	1315	1960
W930	3,000 K	320		580	900	1350	2210
W935	3,500 K	320		595	920	1400	2235
W940	4,000 K	345		605	935	1440	2295
W850	5,000 K	410		790	1170	1875	2745

* Spot wide - 25° Optics.

** Up to 25% loss of light output when using combination with the click on anti-glare

*** Up to 18% loss of light output when using the combination with the glare shield

! To configure the specific luminaire please use the online configurator.

Please note: The orange values are CRI 90 specifications.

^AThe given data are typical values. Due to tolerances of the production process and the electrical components, photometric values and electrical power can vary up to 10%

^BThe T_c-point should be measured in thermal equilibrium according to IEC EN 60598-1.

^CIn case of IP65 products, tolerances in the color temperature can occur.

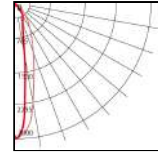
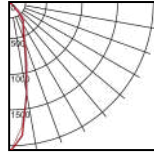
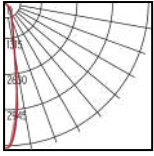
! **Note:** -40% luminous flux at opal and -25% with diffuse cover.

AVAILABLE OPTICS

Optic 15°

Optic 25°

15° x 40° (oval)



ORDER CODE

Example:

XOOLUX NANO **LD5 W822 0271 15 IP65**

CONFIGURE NOW!

Options for the order code: Your selections :

LED tape

- LD5 (5 W/m) LD5
- LD10 (10 W/m) LD10
- LD15 (15 W/m) LD15
- LD25 (25 W/m) LD25
- LD40 (40 W/m) LD40

Color temperature

- 2,200 K W822
- 2,700 K W927
- 3,000 K W930
- 3,500 K W935
- 4,000 K W940
- 5,000 K W850

Lengths

- 271.4 mm 0271
- 521.4 mm 0521

Optics

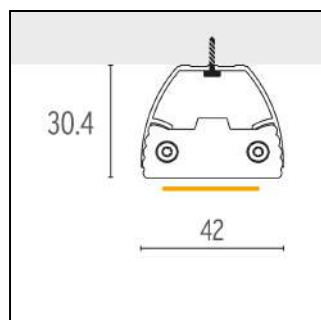
- 15° Optics 15
- 25° Optics 25
- 15° x 40° (oval) OV

TYPICAL APPLICATIONS



MOUNTING

1. Ceiling



Mounting accessories

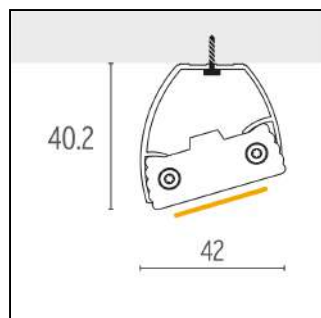


VarioClip Xoolux Nano 0° black
 Alu-Clip, Drilling D= 4.2 mm, L= 50 mm
 Art.-#: 13000292-SCH

Description

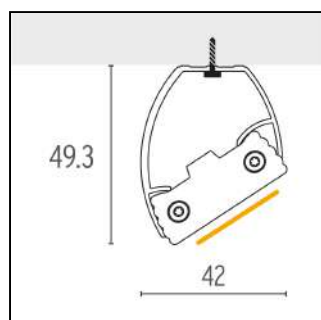
5 cm long, surface mounting brackets. Installs with screws to surface. The product can be tilted every 5 degrees inside the bracket. Recommended to use every 50 cm.

Example of application



VarioClip Xoolux Nano 15° black
 Alu-Clip, Drilling D= 4.2 mm, L= 50 mm
 Art.-#: 13000293-SCH

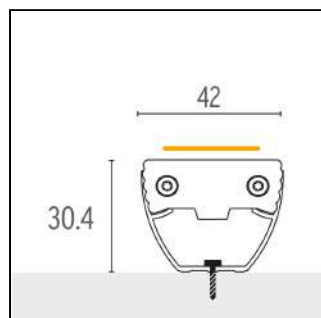
5 cm long, surface mounting brackets. Installs with screws to surface. The product can be tilted every 5 degrees inside the bracket. Recommended to use every 50 cm.



VarioClip Xoolux Nano 30° black
 Alu-Clip, Drilling D= 4.2 mm, L= 50 mm
 Art.-#: 13000294-SCH

5 cm long, surface mounting brackets. Installs with screws to surface. The product can be tilted every 5 degrees inside the bracket. Recommended to use every 50 cm.

2. Surface-mounted



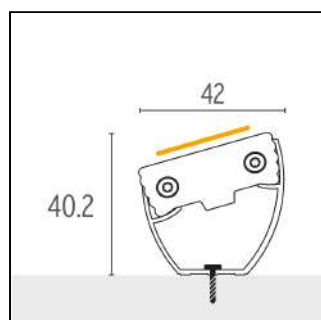
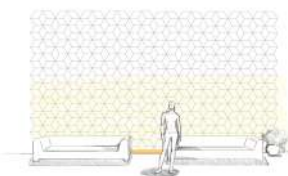
Please ensure that the luminaire is in an appropriate canopied area.



VarioClip Xoolux Nano 0° black
 Alu-Clip, Drilling D= 4.2 mm, L= 50 mm
 Art.-#: 13000292-SCH

5 cm long, surface mounting brackets. Installs with screws to surface. The product can be tilted every 5 degrees inside the bracket. Recommended to use every 50 cm.

Example of application



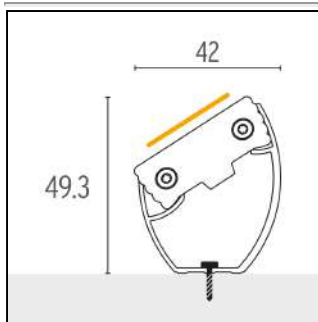
VarioClip Xoolux Nano 15° black
 Alu-Clip, Drilling D= 4.2 mm, L= 50 mm
 Art.-#: 13000293-SCH

5 cm long, surface mounting brackets. Installs with screws to surface. The product can be tilted every 5 degrees inside the bracket. Recommended to use every 50 cm.



VarioClip Xoolux Nano 30° black
 Alu-Clip, Drilling D= 4.2 mm, L= 50 mm
 Art.-#: 13000294-SCH

5 cm long, surface mounting brackets. Installs with screws to surface. The product can be tilted every 5 degrees inside the bracket. Recommended to use every 50 cm.

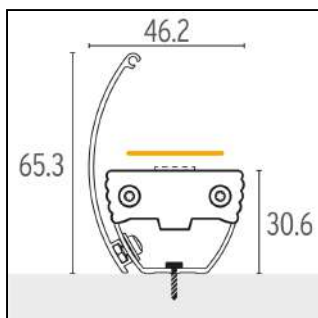


3. Glare controlled

Mounting accessories

Description

Example of application



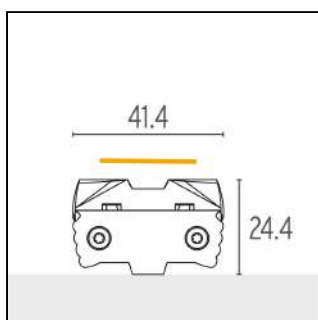
XOOLUX™ NANO Shield 300 mm
 Art.-#: 13000377-0300-SCH

Glare shield, 300 mm, with surface mounting brackets. Installed with screws to surface. The product can be tilted every 5 degrees inside the bracket. For a better glare control for people passing by.



XOOLUX™ NANO Shield 550 mm
 Art.-#: 13000377-0550-SCH

Glare shield, 550 mm, with surface mounting brackets. Installed with screws to surface. The product can be tilted every 5 degrees inside the bracket. For a better glare control for people passing by.



XOOLUX™ NANO Shield 800 mm
 Art.-#: 13000377-0800-SCH

Glare shield, 800 mm, with surface mounting brackets. Installed with screws to surface. The product can be tilted every 5 degrees inside the bracket. For a better glare control for people passing by.



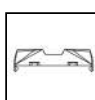
XOOLUX™ NANO Shield 1050 mm
 Art.-#: 13000377-1050-SCH

Glare shield, 1050 mm, with surface mounting brackets. Installed with screws to surface. The product can be tilted every 5 degrees inside the bracket. For a better glare control for people passing by.



XOOLUX™ NANO Shield 2042 mm
 Art.-#: 13000377-2042-SCH

Glare shield, 2042 mm, with surface mounting brackets. Installed with screws to surface. The product can be tilted every 5 degrees inside the bracket. For a better glare control for people passing by.



XOOLUX™ NANO IP65 Anti-Glare Black 250 mm
 Art.-#: 10000608-0250-SCH

Anti-glare cover with easy mounting by clicking on the luminaire. Delivered in 250 mm pieces. Geometry feature ensures correct lateral positioning against optics.

POWER SUPPLY UNIT (PSU) & CONTROLS

Recommended PSU

VarioPSU 24V/100W IP67, ON/OFF, Silver
 Art.-#: 16000064



Dimensions (L x H x W): **220 mm x 38.8 mm x 68 mm**
 Electrical Class: **SK I**
 LED Drive: **CV**
 Voltage (V): **24 V**
 Rated Power (W): **100**
 Input Voltage (Vac): **90 – 305**
 Region: **WR**
 Certificates: **ENEC, UL**
 Schutzart: **IP67**
 Indoor/Outdoor: **Outdoor**

Recommended Control

IN.finite™ DALI® DT6 2CH CV ULT
 Art.-#: 16000268-DT6-ULT



Dimensions (L x H x W): **188 mm x 21 mm x 30 mm**
 Channels: **2**
 Dimming Options: **DALI**
 Dimming: **PWM (f ~ 200 Hz)**
 Dimming Curve: **Logarithmic**
 Dimming Range: **100% – 0%**
 Voltage (V): **12 – 50 V**
 Certificates: **CE**
 Schutzart: **IP20**
 Indoor/Outdoor: **Indoor**

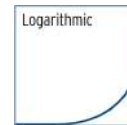
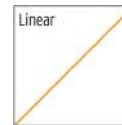
Recommended PSU

VarioPSU 24V/90W IP67, 0-10V, Black
 Art.-#: 16000154



Dimensions (L x H x W): **171 mm x 37.5 mm x 63 mm**
 Electrical Class: **SK II**
 LED Drive: **CV**
 Voltage (V): **24 V**
 Rated Power (W): **90 W**
 Input Voltage (Vac): **90 – 305**
 Region: **WR**
 Certificates: **ENEC, UL**
 Schutzart: **IP67**
 Indoor/Outdoor: **Outdoor**

Dimming



Recommended PSU

VarioPSU 24V/90W IP67, DALI, Black
 Art.-#: 16000348



Dimensions (L x H x W): **171 mm x 63 mm x 37.5 mm**
 Electrical Class: **SK II**
 LED Drive: **CV**
 Voltage (V): **24 V**
 Rated Power (W): **90**
 Input Voltage (Vac): **90 – 305**
 Region: **WR**
 Certificates: **ENEC, UL**
 Schutzart: **IP67**
 Indoor/Outdoor: **Outdoor**

CABLING ACCESSORIES



VarioCon Female Mono 2 x 0,34 mm² 0,115 m IP67
 Art.-#: **15000071**
 Required quantity: **12345**



VarioCon Female Mono 2 x 0,34 mm² 1 m IP67
 Art.-#: **15000090**
 Required quantity:



VarioCon Female Mono 2 x 0,34 mm² 2 m IP67
 Art.-#: **15000091**
 Required quantity:



VarioCon Female Mono 2 x 0,34 mm² 5 m IP67
 Art.-#: **15000092**
 Required quantity:



VarioCon Female Mono 90° 2 x 0,34 mm² 2 m IP67
 Art.-#: **15000089**
 Required quantity:



VarioCon Extension 4 x 0,25 mm² 0,08 m IP67
 Art.-#: **15000101**
 Required quantity:



VarioCon Extension 4 x 0,25 mm² 5 m IP67
 Art.-#: **15000103**
 Required quantity:

VOLTAGE DROP INFORMATION FOR THE FEED-IN LINE (PSU / CONTROL TO FIXTURE)

0.34 mm² / AWG 22

XOOLUX NANO White IP65	LD5	LD10	LD15	LD25	LD40
Product run Length	max. cable length between PSU / Control unit and the luminaire				
1 m	38.8 m	19.4 m	12.9 m	7.7 m	-
2 m	19.4 m	9.7 m	6.4 m	3.8 m	-
3 m	12.9 m	6.4 m	4.3 m	2.5 m	-
4 m	9.7 m	4.8 m	3.2 m	-	-
5 m	7.7 m	3.8 m	2.5 m	-	-
6 m	6.4 m	-	-	-	-
7 m	5.5 m	-	-	-	-

1.5 mm² / AWG 15

XOOLUX NANO White IP65	LD5	LD10	LD15	LD25	LD40
Product run Length	max. cable length between PSU / Control unit and the luminaire				
1 m	171.3 m	85.6 m	57.1 m	34.2 m	-
2 m	85.6 m	42.8 m	28.5 m	17.1 m	-
3 m	57.1 m	28.5 m	19 m	11.4 m	-
4 m	42.8 m	21.4 m	14.2 m	-	-
5 m	34.2 m	17.1 m	11.4 m	-	-
6 m	28.5 m	-	-	-	-
7 m	24.4 m	-	-	-	-

Calculation refers to the cable configuration on site.
 The information listed in the table is only refers to the conductor-based voltage drop of max. 0.85V at 24V DC input voltage.

Regarding the electromagnetic compatibility (EMC) the maximum cable length is defined by the power supply manufacturer.
 A cable length between power supply and planned product longer than indicated by the datasheet of the power supply is possible. However the electromagnetic compatibility can then be influenced by the conditions of the installation site. There is no data on electromagnetic compatibility for longer cable lengths, which might lead to the necessity of an evaluation of the electromagnetic compatibility by a third party.
 Datasheets and mounting instructions of the components in combination with the planned product must be carefully read and followed.