

EH-VS ESSENCE

Recessed LED downlight

LED |



Installation Instructions

Technical data:

- Input: 220-240Vac 50-60Hz.
- IP40
- Electrical protection class: Class II



For illustration only

Disconnect mains power before installation.



Important:

This light fixture is classified as electrical & electronic waste (WEEE). Once ceased operation It is mandatory to destroy it according to your local waste directives.

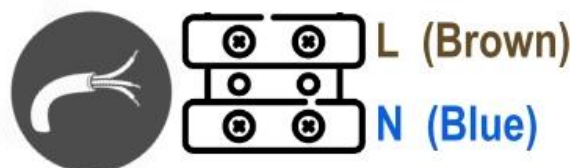
Warning:

1. Connecting this light fixture to mains will be conducted only by qualified and licensed electrician. It is mandatory to disconnect mains supply prior to installation or service.
2. Replace any broken protective cover.
3. This light fixture is designed for indoor installation, according to listed IP level.
4. The usage of non-complying dimming devices for low voltage systems may damage the power supply device.
5. The light fixture must not be covered by any isolation material.
6. For type Y attachment:
If the external flexible cable or cord of this luminaire is damaged, it shall be exclusively replaced by the manufacturer or his service agent or a similar qualified person in order to avoid a hazard.
7. For non-user replacement light sources:
"The light source contained in this luminaire shall only be replaced by the manufacturer or his service agent or a similar qualified person".


Maintenance:

1. Use only a soft antistatic wipe to clean the diffuser.
2. In case of a fault, do not try to fix it on your own. Uninstall the light fixture and contact your nearest official service station.
3. To not use Alcohol, detergents, chemical and such to clean the light fixture.
4. The light unit source is non-replaceable.


Electrical wiring scheme:



Installation instructions:




Make sure that the power is off before installation or maintenance



OFF

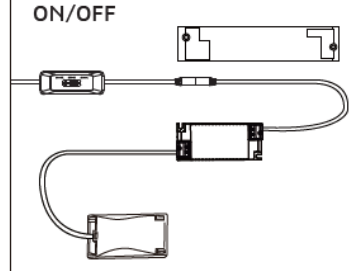
A1

Product 200 Ø 200mm

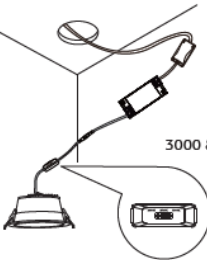


A2

ON/OFF

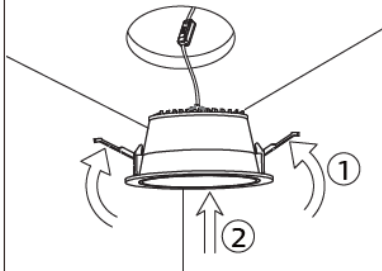


A3




CCT Dip switch
3000 & 3500K & 4000K

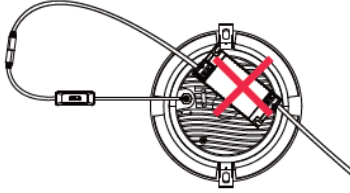
A1



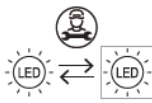
1
2



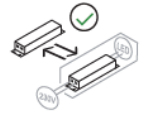
Locating control gear on housing is not permitted!



Product On/off



Replaceable (LED only) light source by a professional



Replaceable control gear by a professional

Recessed installation:

1. This luminaire is designed for recessed installation on gypsum, metal or wood ceilings.
2. Cut open a hole in your ceiling fitting the luminaires dimensions according to the specific model.

Power (W)	Height*Diameter (mm)	Cut out (mm)
20	97.5*224	200
25	97.5*224	200
30	97.5*224	200

3. Insert the luminaire into the open cut, bending the support springs to the upper position prior the inserting. Once inserted, the springs will hold the luminaire into place.
4. Do not cover the luminaire by any insulating material.
5. Select required CCT on CCT Dip switch.
6. Connect the light fixture to the power supply, according to the wiring scheme.
7. Light fixture is ready for operation.



We hold our rights to change and update technical data on luminaires without prior notice. Although all efforts conducted in accessibility of data, inaccuracies and/or typographical errors may occur. Instructions are worded in the masculine language for convenience only, and refer to all genders. Warranty is valid according to the enlisted data on our website, and/or as listed on client quotation by our local representative.