

# SATURN-T / D



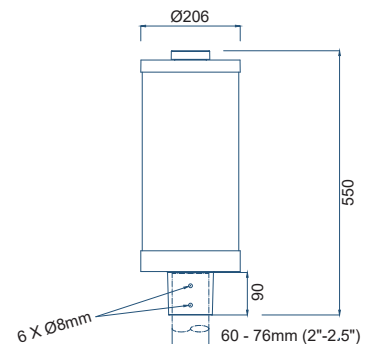
Installation height (m)	3 - 7m
Lumen package range (*)	1,100 - 6,280lm
Luminaire power consumption	11 to 53W
Body	High-pressure die-cast aluminium
Protector	PMMA
LED	CREE XLAMP - XP-G3
Life time	>90,000h L90
Colour temperature	3000K (Warm White) 4000K (Neutral) (2700K upon request)
Colour rendering index (CRI)	>70 (Available with highest CRI upon request)
Optical compartment tightness level	IP66
Control gear tightness level	IP66
Impact resistance	IK10
Nominal voltage	120 - 277V - 50 - 60Hz
Electrical class	CLASS I / CLASS II
Mounting Post-top	Ø60mm , Ø76mm
Weight (Kg)	5.8 - 6.8Kg
Colour	RAL7022 sandedAny other RAL or AKZO colour upon request

(\*) The nominal flux is an indicative flux @ tj 25°C based on LED manufacturer's data. The real flux output of the luminaire depends on environmental conditions (e.g. temperature and pollution) and the optical efficiency of luminaire.

(\*\*) according to IEC - EN 60598 – (\*\*\*) according to IEC - EN 62262

## SATURN - T

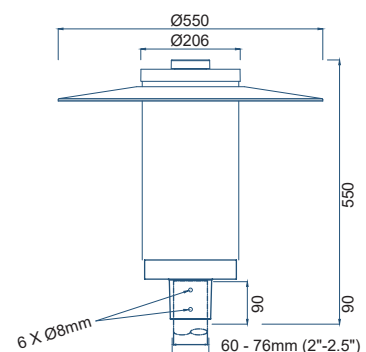
LED Quantity	Current (mA)	Power Consumpt* (W)	Nominal Initial Flux(lm)**		KG	ITEM NUM
			3000K	4000K		
8	350mA	11W	1,100	1,150	5.90	SATNT08L35_K
	530mA	15W	1,625	1,710	5.90	SATNT08L53_K
	700mA	20W	2,045	2,150	5.90	SATNT08L70_K
12	350mA	15W	1,690	1,780	5.90	SATNT12L53_K
	530mA	22W	2,630	2,765	5.90	SATNT12L70_K
	700mA	29W	3,260	3,430	5.90	SATNT12L53_K
16	350mA	19W	2,240	2,360	5.90	SATNT16L35_K
	530mA	28W	3,400	3,580	5.90	SATNT16L53_K
	700mA	37W	4,265	4,490	5.90	SATNT16L70_K
20	350mA	23W	2,850	3,000	5.90	SATNT20L35_K
	530mA	35W	4,230	4,450	5.90	SATNT20L53_K
	700mA	45W	5,180	5,450	5.90	SATNT20L70_K
24	350mA	27W	3,420	3,600	5.90	SATNT24L35_K
	530mA	41W	5,015	5,280	5.90	SATNT24L53_K
	700mA	53W	5,960	6,280	5.90	SATNT24L70_K



SATURN - T

## SATURN - D

LED Quantity	Current (mA)	Power Consumpt* (W)	Nominal Initial Flux(lm)**		KG	ITEM NUM
			3000K	4000K		
8	350mA	11W	1,100	1,150	6.80	SATND08L35_K
	530mA	15W	1,625	1,710	6.80	SATND08L53_K
	700mA	20W	2,045	2,150	6.80	SATND08L70_K
12	350mA	15W	1,690	1,780	6.80	SATND12L53_K
	530mA	22W	2,630	2,765	6.80	SATND12L70_K
	700mA	29W	3,260	3,430	6.80	SATND12L53_K
16	350mA	19W	2,240	2,360	6.80	SATND16L35_K
	530mA	28W	3,400	3,580	6.80	SATND16L53_K
	700mA	37W	4,265	4,490	6.80	SATND16L70_K
20	350mA	23W	2,850	3,000	6.80	SATND20L35_K
	530mA	35W	4,230	4,450	6.80	SATND20L53_K
	700mA	45W	5,180	5,450	6.80	SATND20L70_K
24	350mA	27W	3,420	3,600	6.80	SATND24L35_K
	530mA	41W	5,015	5,280	6.80	SATND24L53_K
	700mA	53W	5,960	6,280	6.80	SATND24L70_K



SATURN - D

## Photometry

