

THORN
LIGHTING



JET 3

Brighter streets, better value

EFFICIENCY MEETS VALUE

IN A LUMINAIRE THAT IS DURABLE AND EASY TO INSTALL

A versatile LED post-top lantern with three lumen output options, Thorn JET 3 is ideal for most road and street applications, from major highways to residential streets.

JET 3 is a particularly great choice to easily replace older, less efficient HID (High Intensity Discharge) or sodium-based lighting networks to provide immediate energy savings and quick return on investment.

Efficient, robust and easy to fit, JET 3 delivers superior lighting quality, allowing for fewer installed lanterns and offering a much longer lifetime. Its high pressure die-cast aluminium body provides C4 class corrosion protection and the tempered flat glass enclosure maintains performance and avoids efficacy losses over time when compared to polycarbonate.



High speed roads and major roads



Intersections

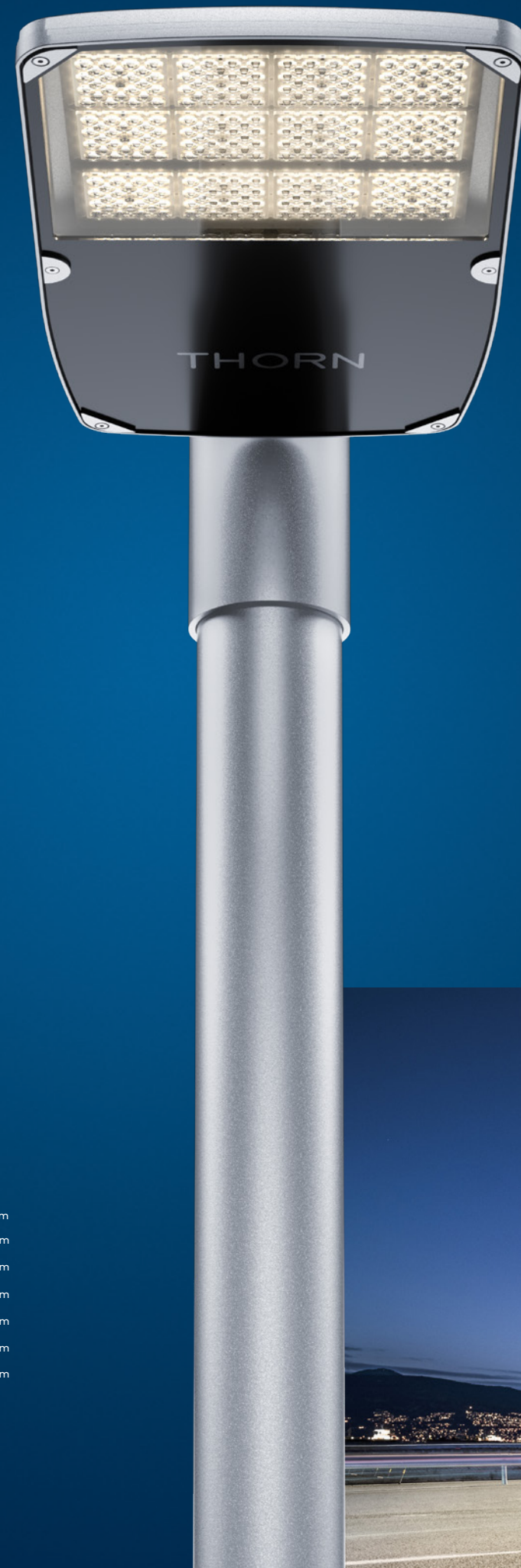
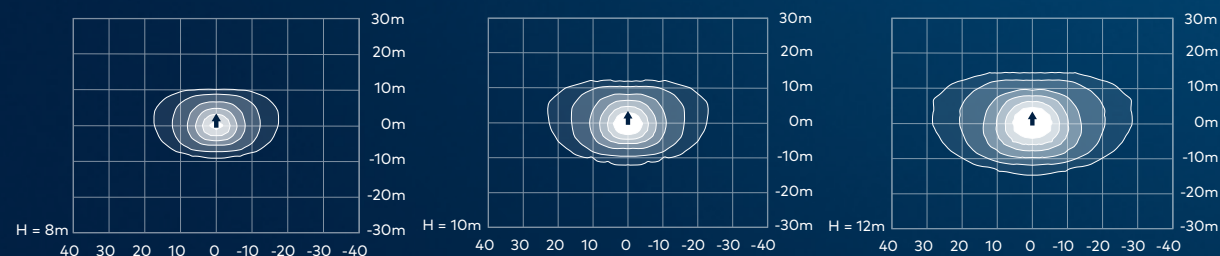


Minor roads and residential roads



Parking

Suitable for most typical road applications (large spacing, enhanced visual comfort and limited spill light)



ROBUST ENERGY SAVER



IK08 shock resistance and IP66 ingress protection for excellent durability

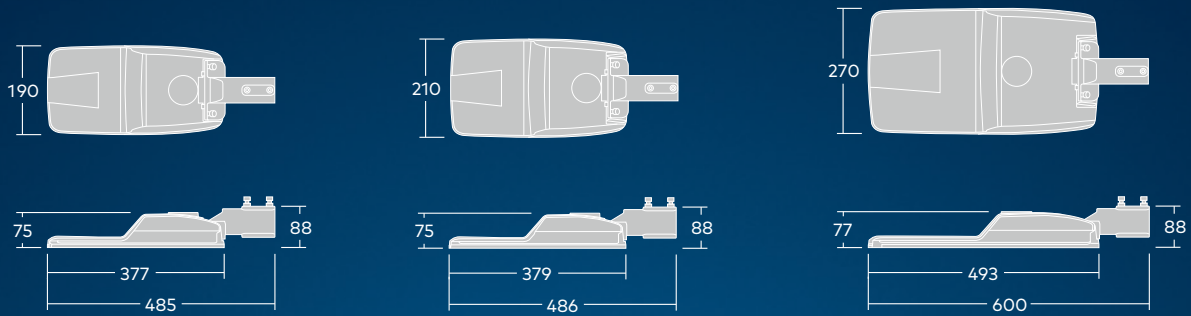


Critical benefit, JET 3 efficiently protects itself from electrical over surges generated by possibly unbalanced networks : with its ENEC certified driver (5 kV protection) and especially with a specific surge protection device (SPD), installed upstream the driver to protect it (15 kV protection), JET 3 is a robust energy saver.

| SKU CODE | PRODUCT DESCRIPTION | LUMENS |
|----------|---------------------------------------|-----------|
| 22673929 | JET 3 LED 740 75W SPD15 CL2 L60 GREY | 10,000 lm |
| 22673930 | JET 3 LED 740 150W SPD15 CL2 L60 GREY | 20,000 lm |
| 22673931 | JET 3 LED 740 215W SPD15 CL2 L60 GREY | 30,000 lm |



JET 3



3000 K / 4000 K / 5700 K



10,000 lm / 20,000 lm / 30,000 lm



Up to 140 lm/W



70



<1 %, no upward lighting to avoid lighting pollution



IP66



-30 °C to 40 °C



IK08



Corrosion resistant (C4 – ISO 9223)



50,000 h - L80B50 @25 °C



NR Photometry for most usual road typologies



L42 / L60 / T60, lateral / post top flexible
Spare driver and spare SPD available.



Powder painting RAL9006 (Grey)



Double surge protection: dedicated SPD 15 kV & 5 kV (driver) / AC 100-277 V input voltage



5 YEAR
GUARANTEE

Thorn Lighting is constantly developing and improving its products. All descriptions, illustrations, drawings and specifications in this publication present only general particulars and shall not form part of any contract. The right is reserved to change specifications without prior notification or public announcement. All goods supplied by the company are supplied subject to the company's General Conditions of Sale, a copy of which is available on request. All measurements are in millimetres and weights in kilograms unless otherwise stated.
12/2023 (INT)

**WE
MAKE
LIGHT
WORK**