

# EH-VS BRIGHT

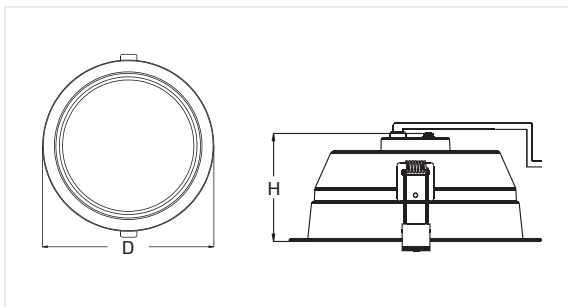


An advanced LED recessed lighting fixture, designed according to leading international standards and requirements.

BRIGHT by EH-VS is designed to deliver a low glare light that is pleasant to the eye, thanks to distribution of light sources on a wide surface, and the use of an embossed aluminum reflector which disperses light evenly.

The fixture also features a switch which allows selection of light color (3000K / 3500K / 4000K) to the user's preference. It utilizes the most advanced Vossloh-Schwabe driver available in the market today, offering it a wide range of protections and giving the fixture a longer lifespan. Available in two sizes, and in 10W-30W power supply options. Suitable for recessed installation in acoustic and plaster ceilings, in public buildings, hospitals, banks, offices, schools, corridors and more.

## Technical specifications:



**Material:** Die-cast aluminium. embossed aluminum reflector.

**Diffuser:** Opal

**Body Color:** ○

**Optic:** 90°

**Power:** 10W / 15W / 20W / 30W

**Ingress Protection Rating:** IP44/IP20

**Impact Protection Rating:** IK08

**CCT:** Adj. CCT 3000K / 3500K / 4000K

**Mounting Type:** Recessed.

Power (W)	CCT	Height×Diameter (mm)	CUT OUT (mm)	Luminaire's Lumen Output (lm)
10	4000K	170×73	150	900
15	4000K	170×73	150	1,200
20	4000K	230×83	200	1,800
30	4000K	230×83	200	2,600

Data shown is for a few of the available models. The luminaires are available in different colour temperatures, optics, lumen outputs and power. \*\* Tolerance: +-10%.

## Photometric Curves:

