

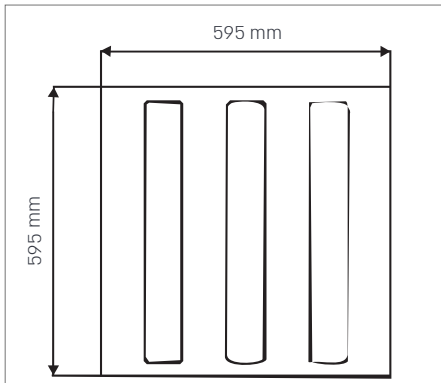
# EH-VS EDGE

Recessed LED panel



An advanced LED panel, which combines a clean and aesthetic design with quality lighting. VS EDGE adjustable CCT by switch (3000K, 3500K, 4000K) and adjustable power (29-40W), offering versatility for various applications. It excels in extremely low glare (UGR<19), providing ideal comfort for work environments and offices. A reliable and cost-effective quality choice over time, it is especially suitable for use in offices, hospitals, workstations, and places that require precise and uniform lighting

## Technical specifications:

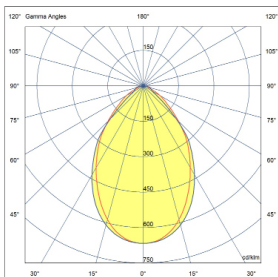


**Material:** galvanized metal  
**Leds:** OSRAM/PHILIPS Or equivalent  
**Driver:** Vossloh Schwabe  
**Optic:** 88°  
**CRI:** 90  
**Power:** adjustable power 29W - 40W  
**Features adjustable CCT by switch :** 3000K, 3500K, 4000K  
**Ingress protection rating:** IP20  
**Impact protection rating:** IK05

Power (W)	CCT	Dimensions (mm)	Luminous Efficacy (lm)	Light Output (lm/w)	model
Adj.29-40	4000K	595*595*50	3335-4600	115	EDGE DALI
Adj.29-40	4000K	595*595*50	3335-4600	115	EDGE ON/OFF

\* Data shown is for a few of the available models. The luminaires are available in different colour temperatures, optics, lumen outputs and power. \*\* Tolerance: +-10%

## Photometric curves:



220-240V  
50-60 Hz

ta=  
-20--+45°

IP20

FLICKER  
FREE

UGR<19

RG0

CRI 90

IK05

5  
years of  
warranty

CE

