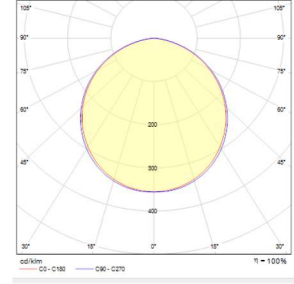
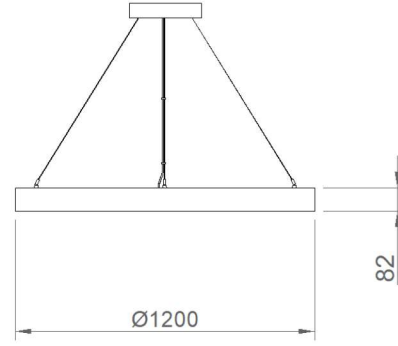
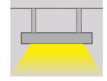


Angel 1200

Indoor Lighting - Pendant Lighting



Colour Options



TECHNICAL INFORMATION

Housing Extruded Aluminum Profile
Diffuser High Transmittance Opal Diffuser
Paint Electrostatic Powder Paint

OPTICAL SPECIFICATIONS

Optics Symmetrical
Light Output Angle 120°
UGR Value UGR ≤ 22
CRI CRI ≥ 80
Color Bin Value Mc Adams ≤ 3

ELECTRICAL

Power (W) 60-120W
Power Factor >0.95
Light Source SMD Mid Power LED
Cabling Halogen-Free
Input Voltage 220-240V AC / 50-60 Hz
LED Driver High Efficiency Constant Current Output
Ambient Temperature -20°C / +50°C
LED Lifetime L80B50 >50.000 Hour

OPTIONAL

- DALI
- Tunable White
- CRI > 90
- Different RAL Color Options
- Class-II Protection Class
- 1-10V DIM
- Emergency Lighting Unit
- 2700K ~ 6500K
- Plug-in Connector
- AC-DC Supply(MBS)

ASSEMBLY

Installation Type Pendant
Mounting Height Adjustable Steel Wire
Apparatus

Order Code	W	Lm	CCT	CRI	ØxH (mm)	Kg
01140.12.30.102	120	10270	3000	Ra>80	Ø1200x82	6,0

