



HIVEXL

*High Lumen Light Fixture
wall washing & areal lighting.*



The new **Hive XL** series is a powerful washer offering very high lumen output. Currently, the Hive XL is the largest fixture in the d-led line, with the highest light output.

The **HIVE XL** is operated at 500/700mA with a maximal power consumption of 75W and 7128 Lumen per fixture.

Option for 36/48 LEDs ranging from 16 to 37 degrees Plus Oval. The **HIVE XL** can be operated as 1/2/3 or 4 channels fixture with any color combination and CRI with whites ranging from 2200 to 6500K.

Offering small proportions with extreme high light output and IP-67 Rating, the HIVE XL is a perfect match for almost any outdoor need where the Regular **HIVE** is not enough. Especially efficient for Architectural lighting, wall washing, areal lighting for retail, commercial and hospitality.



	CRI		lm	lm/w				
IP 67	70-90 CRI	76W	7128lm	105 lm/w	16/24/37/Ov	2200-6500K	Mono / RGB / RGBW	RAL / Anodize

OUTPUT

LED System	High Power Luxeon Z-ES
Intensity	7128 lm @ full power CRI 80 3000K
Channel Range	1 / 2 / 3 / 4 Channel
Color Range	2200K / 2700K / 3000K / 3500K / 4000K / 5000K / 5700K / RGB(36 Leds) / RGBW(48 Leds)
Optical System	16 / 24 / 37 Degrees and Oval 40*18 / 11° (Optional with Luxeon Z)

ELECTRICAL

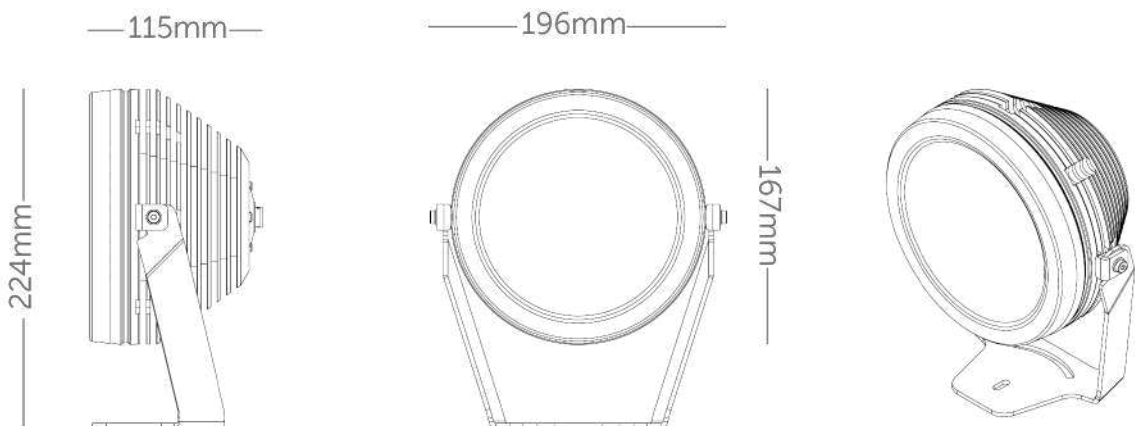
Control	External constant current driver (max. 700mA)
Input Voltage	36V
Consumption	65W (75W with thermal protection)
Max LED's	48 LEDs @ 700mA @ RGBW or 36 LED's @ 500mA Monochrome
Efficiency LM/W	105 lm/w @ 3000K 80 CRI 700mA
Connection	Cable 10X24AWG (4 Channel) Cable 2X18AWG (1 Channel)

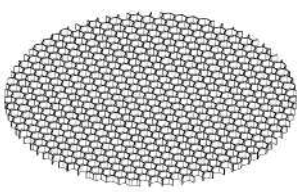
ENVIRONMENTAL

IP Rating	IP 67
Working Temp.	-18°C ~ 40°C / 0°F ~ 104°F
Storage Temp.	-18°C ~ 40°C / -0.4°F ~ 104°F

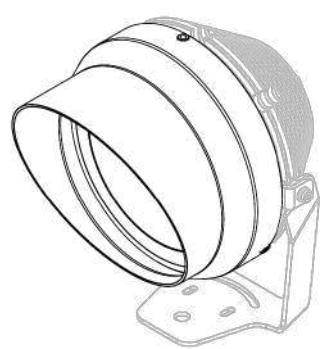
PHYSICAL

Size	L301 * Ø159mm
Housing	Machined 15µ anodized aluminum UV Stabilized polycarbonate





Hobeycomb
Cell W 5.2mm, H 3.2mm



Angular Louver

...	2	...	CH 1 +	...	Black
	3	Polarity	CH 1 -	...	White
Pin	1	CH 2 +	...	Red
.....	6	CH 2 -	...	Blue
.....	7	CH 3 +	...	Yellow
.....	4	CH 3 -	...	Green
.....	8	CH 4 +	...	Orange
.....	10	CH 4 -	...	Purple
.....	9	NTC	...	Grey
.....	5	NTC	...	Brown



Male Side



Female Side