

■ BOLLARD

NEWLY Added
CAP



The **CAP** range is a versatile line of bollards designed to provide both ambient and functional lighting from low to medium mounting heights. It is ideal for residential and public areas, addressing modern lighting needs across a range of applications. Whether for basic illumination or more complex environments, the **CAP** range combines functionality with style.

Equipped with shielded, highly efficient LEDs, **CAP** prevents upward light emissions, reducing light pollution. The advanced light engine delivers excellent color consistency, high CRI, and flexible dimming options, including 1-10V, DALI, and Casambi, making it suitable for professional lighting tasks. Its precision-engineered, specification-grade optics, especially in the medium-sized version, position **CAP** as a strong competitor in the market. The luminaire provides uniform light distribution, ensuring even illumination across the ground or target surfaces.

Compact in design, the small-sized **CAP** offers an efficient solution for residential lighting projects. Despite its size, it features a pre-wired supply cable, flexible mounting options, and a streamlined installation process with minimal screws for added convenience. Additionally, the **CAP** range undergoes a 16-step coating process for enhanced corrosion resistance, making it ideal for environments ranging from standard residential settings to areas with higher exposure to corrosive elements.



www.unilamp.co.th/en/p/cap



■ Medium CAP

* Pole is not included and has to be ordered separately.

Specification

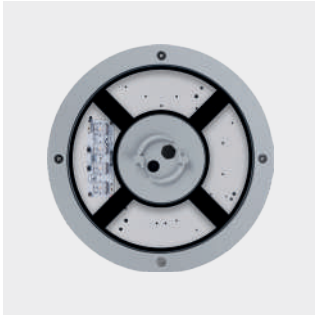
- Designed, manufactured and tested according to IEC 60598
- LM6 die cast aluminum and extruded aluminum body.
- Stainless steel screws.
- Nano ceramic surface conversion.
- Double layer coating.
- Safety glass cover.
- Post-cured silicone gasket.
- High quality LED module and driver.
- Bollard pre-wired with outdoor cable.
- Installation must be carried out according to the enclosed product manual.

Available Color

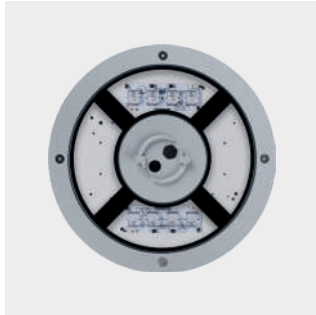


**Custom colors are available on request.

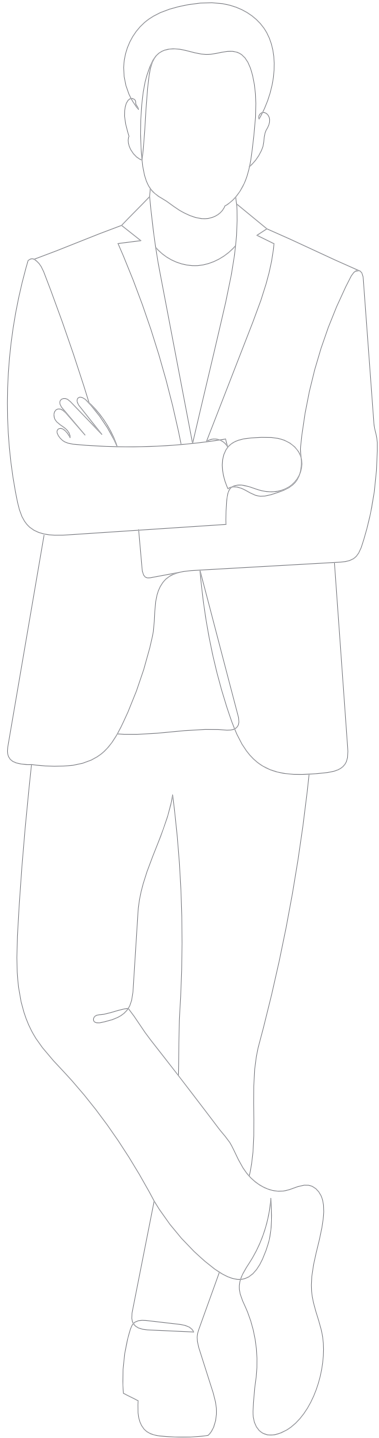
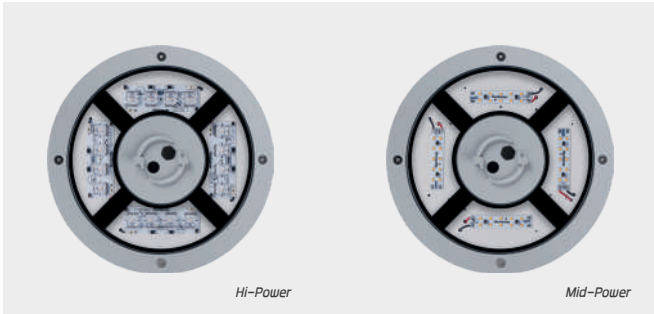
■ Medium CAP 90



■ Medium CAP 180



■ Medium CAP 360

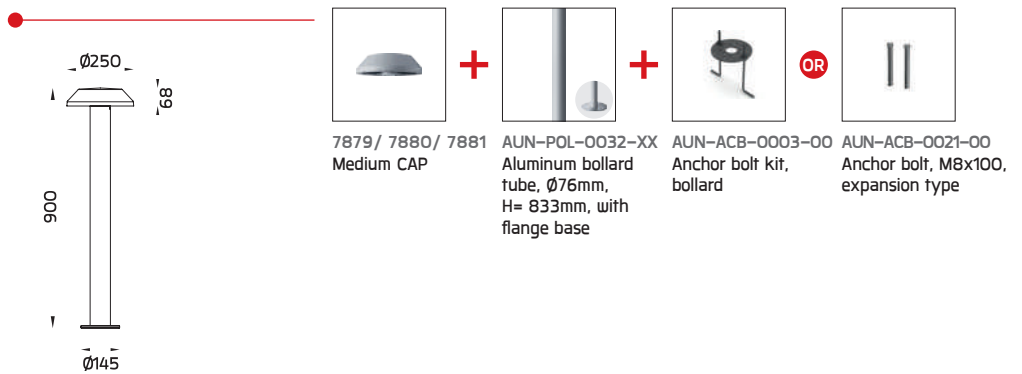
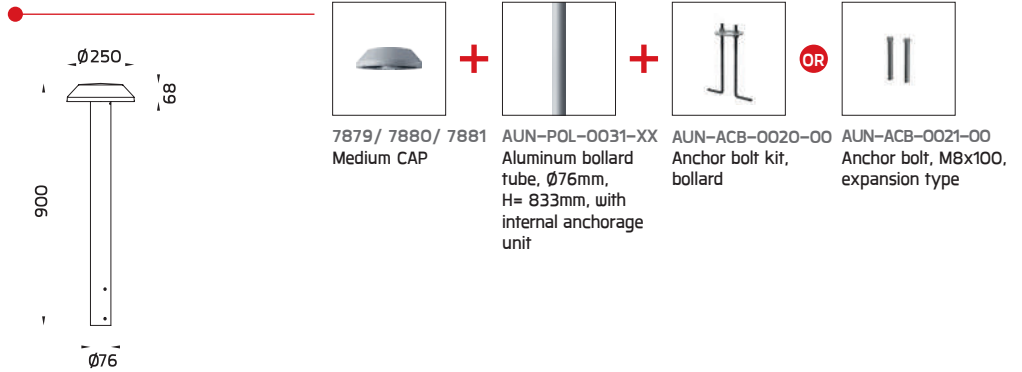


• MODULAR SOLUTIONS

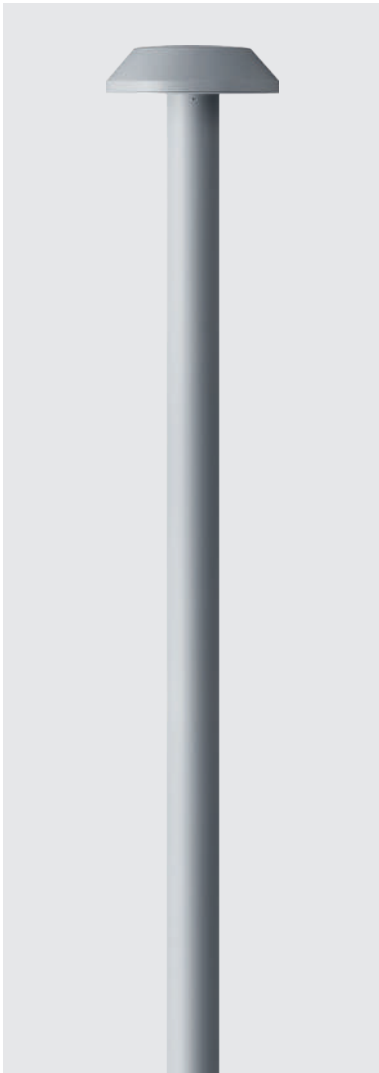
▪ CAP + Accessory kit for Ground mount solutions



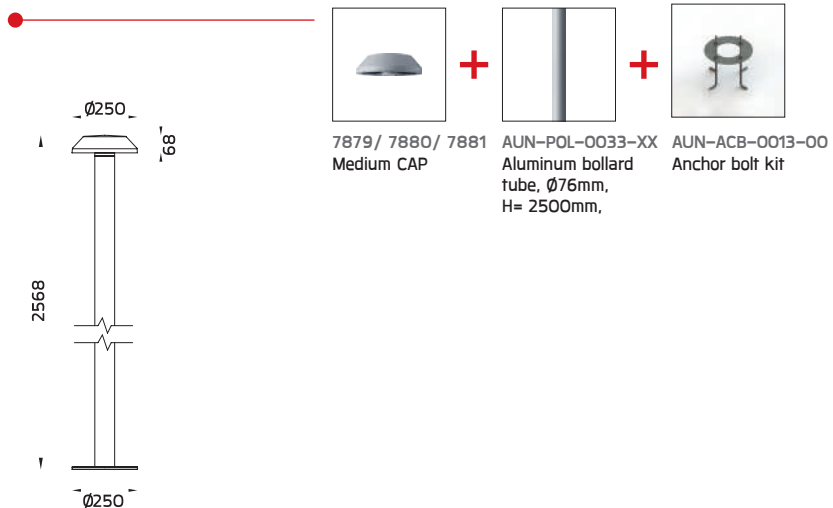
* Pole is not included and has to be ordered separately.



▪ CAP + Accessory kit for pole mount solutions



* Pole is not included and has to be ordered separately.





CAP

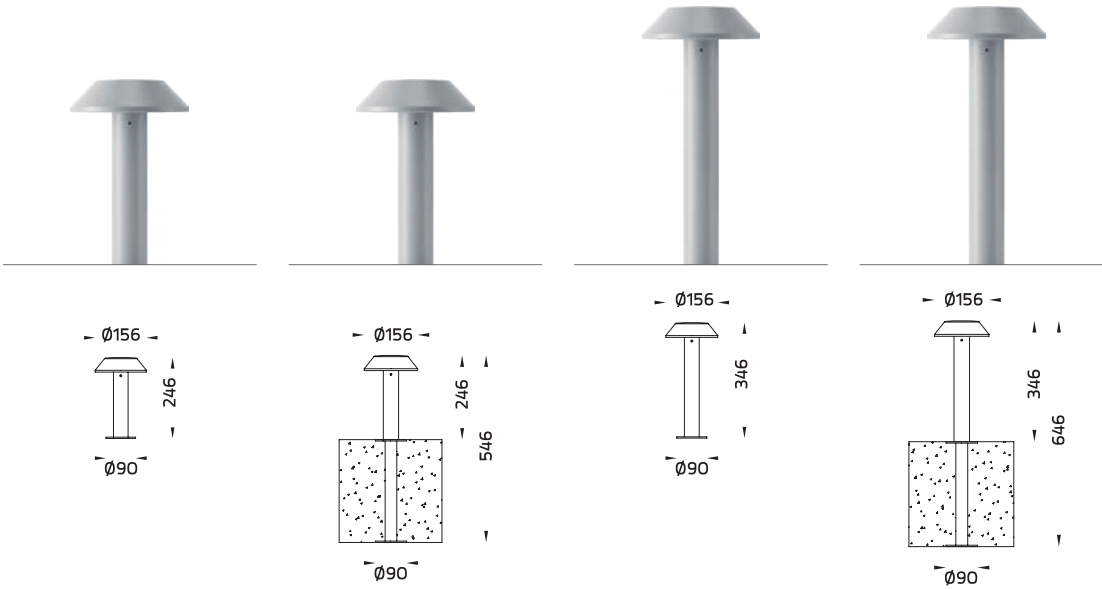


Mini CAP – Short Bollard
Flange Base /
Flange Base CVDA

Mini CAP – Short Bollard
Root Mount Base /
Root Mount Base CVDA

Mini CAP – Bollard
Flange Base /
Flange Base CVDA

Mini CAP – Bollard
Root Mount Base /
Root Mount Base CVDA



Mini CAP

Application Type : Bollard

- Mini CAP – Short Bollard Flange Base / Flange Base CVDA / 7178
- Mini CAP – Short Bollard Root Mount Base / Root Mount Base CVDA / 7878
- Mini CAP – Bollard Flange Base / Flange Base CVDA / 7177
- Mini CAP – Bollard Root Mount Base / Root Mount Base CVDA / 7877

Luminaire Performance

640 – 1010 lm
4.8 – 9 W
91 – 150 lm/W

Beam Options



Color Temperature

2700K / 3000K / 4000K

Controller

On-Off / On-Off / DALI / Remote

Input Options

220–240Vac 50/60Hz
24Vdc

Accessories



Pre-wired cable



CV Driver

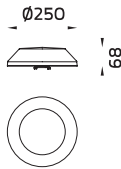


Medium CAP 90 / Medium CAP 180 / Medium CAP 360



NEW!

* Pole is not included and has to be ordered separately.



Medium CAP

NEW!

Application Type : Bollard
Subgroup : Shielded bollard

Medium CAP 90 / 7879 Medium CAP 180 / 7880 Medium CAP 360 / 7881
Luminaire Performance
710 – 3600 lm 11 – 32 W 60 – 117 lm/W
Beam Options
Color Temperature
2700K/ 3000K/ 4000K
Controller
On-Off/ 1-10V/ DALI/ CASAMBI
Input Options
220-240Vac 50/60Hz


Accessories	
	IP68 Connector
	Anchor Bolt
	Aluminum pole

CAP


	Product Code	Luminaire Wattage	Beam	CCT	Luminaire Lumen	Efficacy	Controller						Ordering Code
											CASAMBI	REMOTE	
Mini CAP – Short Bollard	OD-7178 Flange Base	7 W	N/A	2700 K	640 lm	91 lm/W	•						7178-0-3-574-XX
				3000 K	670 lm	95 lm/W	•						7178-0-3-575-XX
				4000 K	720 lm	102 lm/W	•						7178-0-3-576-XX
	 Flange Base CVDA	9 W	N/A	2700 K	930 lm	103 lm/W	•						7178-0-3-560-XX
				3000 K	950 lm	105 lm/W	•						7178-0-3-921-XX
				4000 K	1010 lm	112 lm/W	•						7178-0-3-922-XX
Mini CAP – Short Bollard	 Flange Base CVDA	4.8 W	N/A	2700 K	640 lm	133 lm/W					•	7178-0-7-698-XX	
				3000 K	670 lm	139 lm/W						•	7178-0-7-699-XX
				4000 K	720 lm	150 lm/W						•	7178-0-7-700-XX
	OD-7878 Roof Mount Base	7 W	N/A	2700 K	640 lm	91 lm/W	•						7878-0-3-574-XX
				3000 K	670 lm	95 lm/W	•						7878-0-3-575-XX
				4000 K	720 lm	102 lm/W	•						7878-0-3-576-XX
 Roof Mount Base CVDA	9 W	N/A	2700 K	930 lm	103 lm/W	•						7878-0-3-560-XX	
			3000 K	950 lm	105 lm/W	•						7878-0-3-921-XX	
			4000 K	1010 lm	112 lm/W	•						7878-0-3-922-XX	
Mini CAP – Bollard	 Flange Base CVDA	4.8 W	N/A	2700 K	640 lm	133 lm/W		•				7878-0-7-698-XX	
				3000 K	670 lm	139 lm/W		•				7878-0-7-699-XX	
				4000 K	720 lm	150 lm/W		•				7878-0-7-700-XX	
	OD-7177 Flange Base	7 W	N/A	2700 K	640 lm	91 lm/W	•						7177-0-3-574-XX
				3000 K	670 lm	95 lm/W	•						7177-0-3-575-XX
				4000 K	720 lm	102 lm/W	•						7177-0-3-576-XX
 Flange Base CVDA	9 W	N/A	2700 K	930 lm	103 lm/W	•						7177-0-3-560-XX	
			3000 K	950 lm	105 lm/W	•						7177-0-3-921-XX	
			4000 K	1010 lm	112 lm/W	•						7177-0-3-922-XX	
Mini CAP – Bollard	 Roof Mount Base CVDA	7 W	N/A	2700 K	640 lm	91 lm/W	•						7877-0-3-574-XX
				3000 K	670 lm	95 lm/W	•						7877-0-3-575-XX
				4000 K	720 lm	102 lm/W	•						7877-0-3-576-XX
	 Roof Mount Base CVDA	9 W	N/A	2700 K	930 lm	103 lm/W	•						7877-0-3-560-XX
				3000 K	950 lm	105 lm/W	•						7877-0-3-921-XX
				4000 K	1010 lm	112 lm/W	•						7877-0-3-922-XX
Medium CAP 90	OD-7879 	11 W	T2	2700 K	710 lm	64 lm/W	•						7879-I-3-523-XX
				3000 K	710 lm	64 lm/W	•						7879-I-3-897-XX
				4000 K	760 lm	69 lm/W	•						7879-I-3-898-XX
				2700 K	710 lm	64 lm/W		•					7879-I-4-523-XX
				3000 K	710 lm	64 lm/W		•					7879-I-4-897-XX
				4000 K	760 lm	69 lm/W		•					7879-I-4-898-XX
11 W		T3	2700 K	710 lm	64 lm/W	•							7879-I-5-523-XX
			3000 K	710 lm	64 lm/W	•						7879-I-5-897-XX	
			4000 K	760 lm	69 lm/W	•						7879-I-5-898-XX	
			2700 K	710 lm	64 lm/W		•					7879-I-A-523-XX	
			3000 K	710 lm	64 lm/W		•					7879-I-A-897-XX	
			4000 K	760 lm	69 lm/W		•					7879-I-A-898-XX	
11 W	T3	2700 K	710 lm	64 lm/W	•							7879-J-3-523-XX	
		3000 K	710 lm	64 lm/W	•						7879-J-3-897-XX		
		4000 K	760 lm	69 lm/W	•						7879-J-3-898-XX		
		2700 K	710 lm	64 lm/W		•					7879-J-4-523-XX		
		3000 K	710 lm	64 lm/W		•					7879-J-4-897-XX		
		4000 K	760 lm	69 lm/W		•					7879-J-4-898-XX		
11 W	T3	2700 K	710 lm	64 lm/W		•						7879-J-5-523-XX	
		3000 K	710 lm	64 lm/W		•					7879-J-5-897-XX		
		4000 K	760 lm	69 lm/W		•					7879-J-5-898-XX		
		2700 K	710 lm	64 lm/W			•				7879-J-A-523-XX		
		3000 K	710 lm	64 lm/W			•				7879-J-A-897-XX		
		4000 K	760 lm	69 lm/W			•				7879-J-A-898-XX		

*Please contact sales team for special request.

Medium CAP 90

Product Code	Luminaire Wattage	Beam	CCT	Luminaire Lumen	Efficacy	Controller						Ordering Code		
						⏻	⏻ DALI	Ⓢ	DALI	CASAMBI	REMOTE			
OD-7879 	16 W	T2	2700 K	1030 lm	64 lm/W	•							7879-I-3-524-XX	
			3000 K	1030 lm	64 lm/W	•								7879-I-3-867-XX
			4000 K	1090 lm	68 lm/W	•								7879-I-3-868-XX
			2700 K	1030 lm	64 lm/W			•						7879-I-4-524-XX
			3000 K	1030 lm	64 lm/W			•						7879-I-4-867-XX
			4000 K	1090 lm	68 lm/W			•						7879-I-4-868-XX
		2700 K	1030 lm	64 lm/W					•				7879-I-5-524-XX	
		3000 K	1030 lm	64 lm/W					•				7879-I-5-867-XX	
		4000 K	1090 lm	68 lm/W					•				7879-I-5-868-XX	
		2700 K	1030 lm	64 lm/W						•			7879-I-A-524-XX	
		3000 K	1030 lm	64 lm/W						•			7879-I-A-867-XX	
		4000 K	1090 lm	68 lm/W						•			7879-I-A-868-XX	
	16 W	T3	2700 K	1030 lm	64 lm/W	•							7879-J-3-524-XX	
			3000 K	1030 lm	64 lm/W	•							7879-J-3-867-XX	
			4000 K	1090 lm	68 lm/W	•							7879-J-3-868-XX	
			2700 K	1030 lm	64 lm/W			•					7879-J-4-524-XX	
			3000 K	1030 lm	64 lm/W			•					7879-J-4-867-XX	
			4000 K	1090 lm	68 lm/W			•					7879-J-4-868-XX	
		2700 K	1030 lm	64 lm/W					•			7879-J-5-524-XX		
		3000 K	1030 lm	64 lm/W					•			7879-J-5-867-XX		
		4000 K	1090 lm	68 lm/W					•			7879-J-5-868-XX		
		2700 K	1030 lm	64 lm/W						•			7879-J-A-524-XX	
		3000 K	1030 lm	64 lm/W						•			7879-J-A-867-XX	
		4000 K	1090 lm	68 lm/W						•			7879-J-A-868-XX	
	19 W	T2	2700 K	1340 lm	70 lm/W	•							7879-I-3-568-XX	
			3000 K	1340 lm	70 lm/W	•							7879-I-3-570-XX	
			4000 K	1430 lm	75 lm/W	•							7879-I-3-572-XX	
			2700 K	1340 lm	70 lm/W			•					7879-I-4-568-XX	
			3000 K	1340 lm	70 lm/W			•					7879-I-4-570-XX	
			4000 K	1430 lm	75 lm/W			•					7879-I-4-572-XX	
		2700 K	1340 lm	70 lm/W					•			7879-I-5-568-XX		
		3000 K	1340 lm	70 lm/W					•			7879-I-5-570-XX		
		4000 K	1430 lm	75 lm/W					•			7879-I-5-572-XX		
		2700 K	1340 lm	70 lm/W						•		7879-I-A-568-XX		
		3000 K	1340 lm	70 lm/W						•		7879-I-A-570-XX		
		4000 K	1430 lm	75 lm/W						•		7879-I-A-572-XX		
	19 W	T3	2700 K	1440 lm	75 lm/W	•							7879-J-3-568-XX	
			3000 K	1440 lm	75 lm/W	•							7879-J-3-570-XX	
			4000 K	1540 lm	81 lm/W	•							7879-J-3-572-XX	
			2700 K	1440 lm	75 lm/W			•					7879-J-4-568-XX	
			3000 K	1440 lm	75 lm/W			•					7879-J-4-570-XX	
			4000 K	1540 lm	81 lm/W			•					7879-J-4-572-XX	
		2700 K	1440 lm	75 lm/W					•			7879-J-5-568-XX		
		3000 K	1440 lm	75 lm/W					•			7879-J-5-570-XX		
		4000 K	1540 lm	81 lm/W					•			7879-J-5-572-XX		
		2700 K	1440 lm	75 lm/W						•		7879-J-A-568-XX		
		3000 K	1440 lm	75 lm/W						•		7879-J-A-570-XX		
		4000 K	1540 lm	81 lm/W						•		7879-J-A-572-XX		
27 W	T2	2700 K	1860 lm	68 lm/W	•							7879-I-3-567-XX		
		3000 K	1860 lm	68 lm/W	•							7879-I-3-569-XX		
		4000 K	1990 lm	73 lm/W	•							7879-I-3-571-XX		
		2700 K	1860 lm	68 lm/W			•					7879-I-4-567-XX		
		3000 K	1860 lm	68 lm/W			•					7879-I-4-569-XX		
		4000 K	1990 lm	73 lm/W			•					7879-I-4-571-XX		
	2700 K	1860 lm	68 lm/W					•			7879-I-5-567-XX			
	3000 K	1860 lm	68 lm/W					•			7879-I-5-569-XX			
	4000 K	1990 lm	73 lm/W					•			7879-I-5-571-XX			
	2700 K	1860 lm	68 lm/W						•		7879-I-A-567-XX			
	3000 K	1860 lm	68 lm/W						•		7879-I-A-569-XX			
	4000 K	1990 lm	73 lm/W						•		7879-I-A-571-XX			
27 W	T3	2700 K	2010 lm	74 lm/W	•							7879-J-3-567-XX		
		3000 K	2010 lm	74 lm/W	•							7879-J-3-569-XX		
		4000 K	2150 lm	79 lm/W	•							7879-J-3-571-XX		
		2700 K	2010 lm	74 lm/W			•					7879-J-4-567-XX		
		3000 K	2010 lm	74 lm/W			•					7879-J-4-569-XX		
		4000 K	2150 lm	79 lm/W			•					7879-J-4-571-XX		
	2700 K	2010 lm	74 lm/W					•			7879-J-5-567-XX			
	3000 K	2010 lm	74 lm/W					•			7879-J-5-569-XX			
	4000 K	2150 lm	79 lm/W					•			7879-J-5-571-XX			
	2700 K	2010 lm	74 lm/W						•		7879-J-A-567-XX			
	3000 K	2010 lm	74 lm/W						•		7879-J-A-569-XX			
	4000 K	2150 lm	79 lm/W						•		7879-J-A-571-XX			

Medium CAP 180

OD-7880 	19 W	T2	2700 K	1250 lm	65 lm/W	•							7880-I-3-523-XX	
			3000 K	1250 lm	65 lm/W	•								7880-I-3-897-XX
			4000 K	1340 lm	70 lm/W	•								7880-I-3-898-XX
			2700 K	1250 lm	65 lm/W			•						7880-I-4-523-XX
			3000 K	1250 lm	65 lm/W			•						7880-I-4-897-XX
			4000 K	1340 lm	70 lm/W			•						7880-I-4-898-XX
	2700 K	1250 lm	65 lm/W					•				7880-I-5-523-XX		
	3000 K	1250 lm	65 lm/W					•				7880-I-5-897-XX		
	4000 K	1340 lm	70 lm/W					•				7880-I-5-898-XX		

Medium CAP 180

OD-7880



Product Code	Luminaire Wattage	Beam	CCT	Luminaire Lumen	Efficacy	Controller						Ordering Code	
						⏻	⏻ DALI	Ⓢ	DALI	CASAMBI	REMOTE		
OD-7880	19 W	T2	2700 K	1250 lm	65 lm/W							•	7880-I-A-523-XX
			3000 K	1250 lm	65 lm/W							•	7880-I-A-897-XX
			4000 K	1340 lm	70 lm/W							•	7880-I-A-898-XX
	19 W	T4	2700 K	1440 lm	75 lm/W	•							7880-K-3-523-XX
			3000 K	1440 lm	75 lm/W	•							7880-K-3-897-XX
			4000 K	1540 lm	81 lm/W	•							7880-K-3-898-XX
			2700 K	1440 lm	75 lm/W			•					7880-K-4-523-XX
			3000 K	1440 lm	75 lm/W			•					7880-K-4-897-XX
			4000 K	1540 lm	81 lm/W			•					7880-K-4-898-XX
			2700 K	1440 lm	75 lm/W				•				7880-K-5-523-XX
			3000 K	1440 lm	75 lm/W				•				7880-K-5-897-XX
			4000 K	1540 lm	81 lm/W				•				7880-K-5-898-XX
	30 W	T2	2700 K	1800 lm	60 lm/W	•							7880-K-A-523-XX
			3000 K	1800 lm	60 lm/W	•							7880-K-A-897-XX
			4000 K	1920 lm	64 lm/W	•							7880-K-A-898-XX
			2700 K	1800 lm	60 lm/W			•					7880-I-3-524-XX
			3000 K	1800 lm	60 lm/W			•					7880-I-3-867-XX
			4000 K	1920 lm	64 lm/W			•					7880-I-3-868-XX
			2700 K	1800 lm	60 lm/W				•				7880-I-4-524-XX
			3000 K	1800 lm	60 lm/W				•				7880-I-4-867-XX
			4000 K	1920 lm	64 lm/W				•				7880-I-4-868-XX
			2700 K	1800 lm	60 lm/W					•			7880-I-5-524-XX
			3000 K	1800 lm	60 lm/W					•			7880-I-5-867-XX
			4000 K	1920 lm	64 lm/W					•			7880-I-5-868-XX
	30 W	T4	2700 K	2070 lm	69 lm/W	•							7880-I-A-524-XX
			3000 K	2070 lm	69 lm/W	•							7880-I-A-867-XX
			4000 K	2200 lm	73 lm/W	•							7880-I-A-868-XX
			2700 K	2070 lm	69 lm/W			•					7880-K-3-524-XX
			3000 K	2070 lm	69 lm/W			•					7880-K-3-867-XX
			4000 K	2200 lm	73 lm/W			•					7880-K-3-868-XX
			2700 K	2070 lm	69 lm/W				•				7880-K-4-524-XX
			3000 K	2070 lm	69 lm/W				•				7880-K-4-867-XX
			4000 K	2200 lm	73 lm/W				•				7880-K-4-868-XX
			2700 K	2070 lm	69 lm/W					•			7880-K-5-524-XX
			3000 K	2070 lm	69 lm/W					•			7880-K-5-867-XX
			4000 K	2200 lm	73 lm/W					•			7880-K-5-868-XX


Medium CAP 360

OD-7881



OD-7881			2700 K	1540 lm	85 lm/W	•							7881-L-3-524-XX					
			3000 K	1540 lm	85 lm/W	•								7881-L-3-867-XX				
			4000 K	1660 lm	92 lm/W	•								7881-L-3-868-XX				
			18 W	T5	2700 K	1540 lm	85 lm/W			•						7881-L-4-524-XX		
					3000 K	1540 lm	85 lm/W			•						7881-L-4-867-XX		
					4000 K	1660 lm	92 lm/W			•						7881-L-4-868-XX		
					2700 K	1540 lm	85 lm/W				•					7881-L-5-524-XX		
					3000 K	1540 lm	85 lm/W				•					7881-L-5-867-XX		
					4000 K	1660 lm	92 lm/W				•					7881-L-5-868-XX		
					2700 K	1540 lm	85 lm/W					•				7881-L-A-524-XX		
					3000 K	1540 lm	85 lm/W					•				7881-L-A-867-XX		
					4000 K	1660 lm	92 lm/W					•				7881-L-A-868-XX		
					2700 K	1650 lm	91 lm/W	•								7881-M-3-524-XX		
					3000 K	1650 lm	91 lm/W	•								7881-M-3-867-XX		
					4000 K	1770 lm	98 lm/W	•								7881-M-3-868-XX		
			22 W	N/A	2700 K	1650 lm	91 lm/W			•						7881-M-4-524-XX		
					3000 K	1650 lm	91 lm/W			•						7881-M-4-867-XX		
					4000 K	1770 lm	98 lm/W			•						7881-M-4-868-XX		
					2700 K	1650 lm	91 lm/W				•					7881-M-5-524-XX		
					3000 K	1650 lm	91 lm/W				•					7881-M-5-867-XX		
					4000 K	1770 lm	98 lm/W				•					7881-M-5-868-XX		
					2700 K	1650 lm	91 lm/W					•				7881-M-A-524-XX		
					3000 K	1650 lm	91 lm/W					•				7881-M-A-867-XX		
					4000 K	1770 lm	98 lm/W					•				7881-M-A-868-XX		
					26 W	T5	2700 K	2360 lm	107 lm/W	•								7881-O-3-574-XX
							3000 K	2460 lm	111 lm/W	•								7881-O-3-575-XX
							4000 K	2590 lm	117 lm/W	•								7881-O-3-576-XX
			2700 K	2360 lm			107 lm/W			•						7881-O-4-574-XX		
			3000 K	2460 lm			111 lm/W			•						7881-O-4-575-XX		
			4000 K	2590 lm			117 lm/W			•						7881-O-4-576-XX		
			2700 K	2360 lm			107 lm/W				•					7881-O-5-574-XX		
			3000 K	2460 lm			111 lm/W				•					7881-O-5-575-XX		
			4000 K	2590 lm			117 lm/W				•					7881-O-5-576-XX		
			26 W	T5	2700 K	2140 lm	82 lm/W	•								7881-O-A-574-XX		
					3000 K	2140 lm	82 lm/W	•								7881-O-A-575-XX		
					4000 K	2300 lm	88 lm/W	•								7881-O-A-576-XX		
2700 K	2140 lm	82 lm/W					•						7881-L-3-523-XX					
3000 K	2140 lm	82 lm/W					•						7881-L-3-897-XX					
4000 K	2300 lm	88 lm/W					•						7881-L-3-898-XX					

Medium CAP 360

Product Code	Luminaire Wattage	Beam	CCT	Luminaire Lumen	Efficacy	Controller						Ordering Code
						⏻	⏻ DALI	Ⓢ	DALI	CASAMBI	REMOTE	
OD-7881 	26 W	T5	2700 K	2140 lm	82 lm/W				•			7881-L-5-523-XX
			3000 K	2140 lm	82 lm/W				•			7881-L-5-897-XX
4000 K			2300 lm	88 lm/W					•			7881-L-5-898-XX
2700 K			2140 lm	82 lm/W						•		7881-L-A-523-XX
3000 K			2140 lm	82 lm/W						•		7881-L-A-897-XX
4000 K			2300 lm	88 lm/W						•		7881-L-A-898-XX
2700 K		2290 lm	88 lm/W				•				7881-M-3-523-XX	
3000 K		2290 lm	88 lm/W				•				7881-M-3-897-XX	
4000 K		2470 lm	95 lm/W				•				7881-M-3-898-XX	
2700 K		2290 lm	88 lm/W					•			7881-M-4-523-XX	
3000 K		2290 lm	88 lm/W					•			7881-M-4-897-XX	
4000 K		2470 lm	95 lm/W					•			7881-M-4-898-XX	
2700 K	2290 lm	88 lm/W						•		7881-M-5-523-XX		
3000 K	2290 lm	88 lm/W						•		7881-M-5-897-XX		
4000 K	2470 lm	95 lm/W						•		7881-M-5-898-XX		
2700 K	2290 lm	88 lm/W							•		7881-M-A-523-XX	
3000 K	2290 lm	88 lm/W							•		7881-M-A-897-XX	
4000 K	2470 lm	95 lm/W							•		7881-M-A-898-XX	
2700 K	3280 lm	102 lm/W				•					7881-O-3-560-XX	
3000 K	3380 lm	105 lm/W				•					7881-O-3-921-XX	
4000 K	3600 lm	112 lm/W				•					7881-O-3-922-XX	
2700 K	3280 lm	102 lm/W					•				7881-O-4-560-XX	
3000 K	3380 lm	105 lm/W					•				7881-O-4-921-XX	
4000 K	3600 lm	112 lm/W					•				7881-O-4-922-XX	
2700 K	3280 lm	102 lm/W						•			7881-O-5-560-XX	
3000 K	3380 lm	105 lm/W						•			7881-O-5-921-XX	
4000 K	3600 lm	112 lm/W						•			7881-O-5-922-XX	
2700 K	3280 lm	102 lm/W							•		7881-O-A-560-XX	
3000 K	3380 lm	105 lm/W							•		7881-O-A-921-XX	
4000 K	3600 lm	112 lm/W							•		7881-O-A-922-XX	

