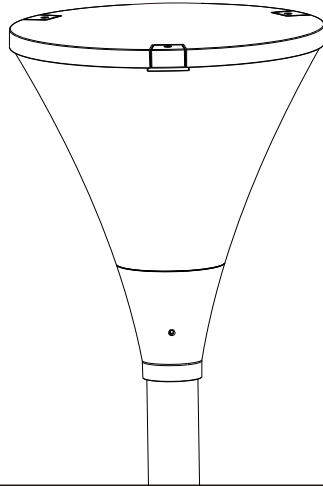
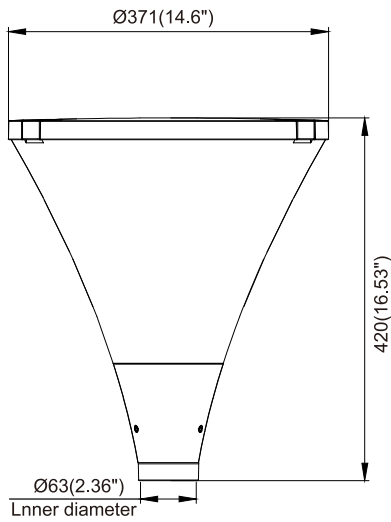


LED Post Top

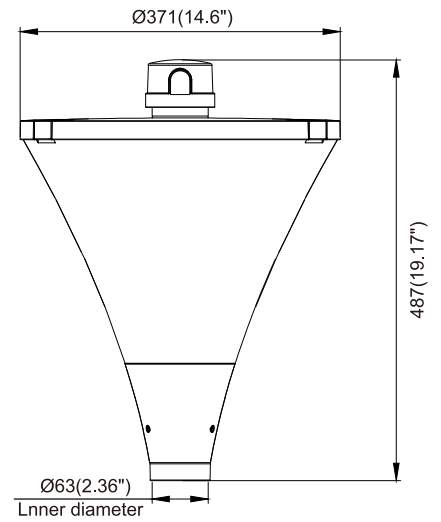
Instruction Manual



Physical Dimensions (Unit: mm/inch)



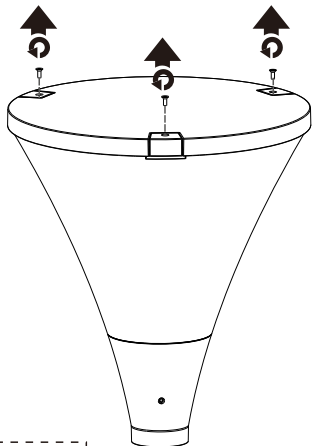
Standard version



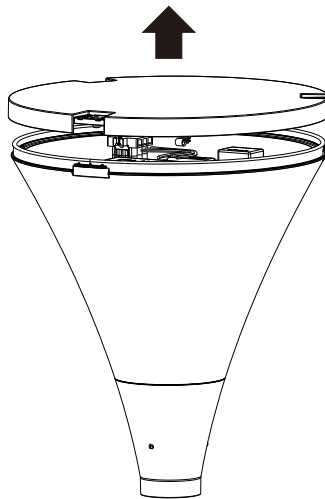
Photocell version

3 CCT+4 Power selectable

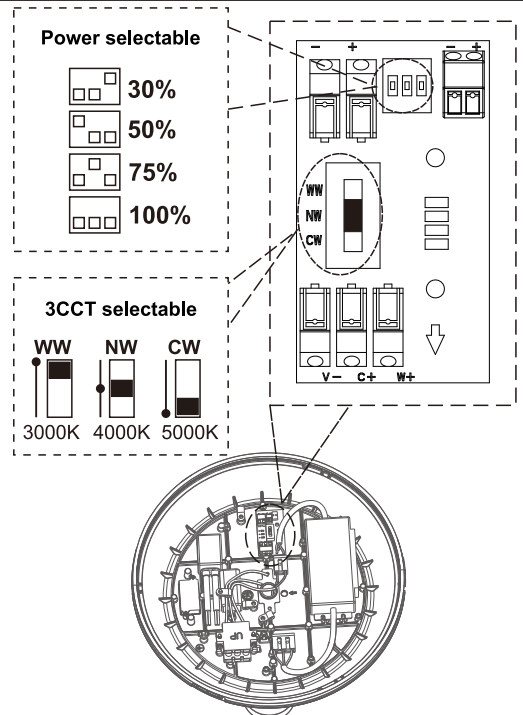
1.



2.



3.



LED Post Top

Instruction Manual

Installation

1.



Non Dimmable

L — brown | black
 N — blue | white
 Ⓧ — yellow/green | green

Dimmable

L — brown | black
 N — blue | white
 DA1/DIM+ — black | red
 DA2/DIM- — gray | brown

Pole size:
 Ø60mm(2.36")



Non Dimmable

L — brown | black
 N — blue | white

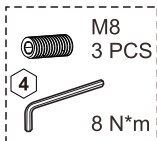
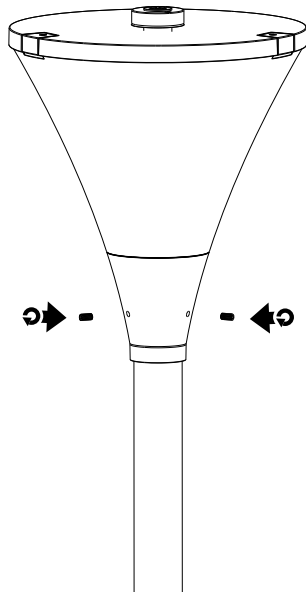
Dimmable

L — brown | black
 N — blue | white
 DA1/DIM+ — black | red
 DA2/DIM- — gray | brown

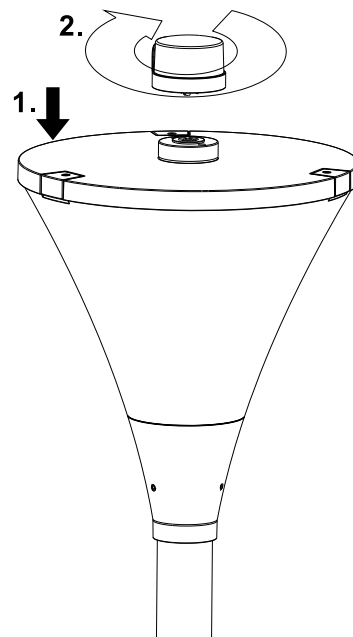
Pole size:
 Ø60mm(2.36")

* Please make sure the luminaire is properly grounded.

2.



3.



Product Specifications	20W	40W	60W	20W	40W
Luminescent mode	Direct Lighting			Indirect Lighting	
Input Voltage	100-240 VAC				
Power Frequency	50 / 60Hz				
Outlook Dimensions	Ø371x420mm(Ø14.6"x16.53")				
Luminaire Net Weight	4.6±0.3kg(10.14±0.66Lbs)				
Projected Area	0.09m²(0.98ft²)				
Working Temperature	-30°C to +50°C(-22°F to +122°F)				
Storing Temperature	-40°C to +70°C(-40°F to +158°F)				

- The light source contained in this luminaire shall only be replaced by the manufacturer or his service agent or a similar qualified person.
- For type Y attachments:
 if the external flexible cable or cord of this luminaire is damaged, it shall be exclusively replaced by the manufacturer or his service agent or a similar qualified person in order to avoid a hazard.