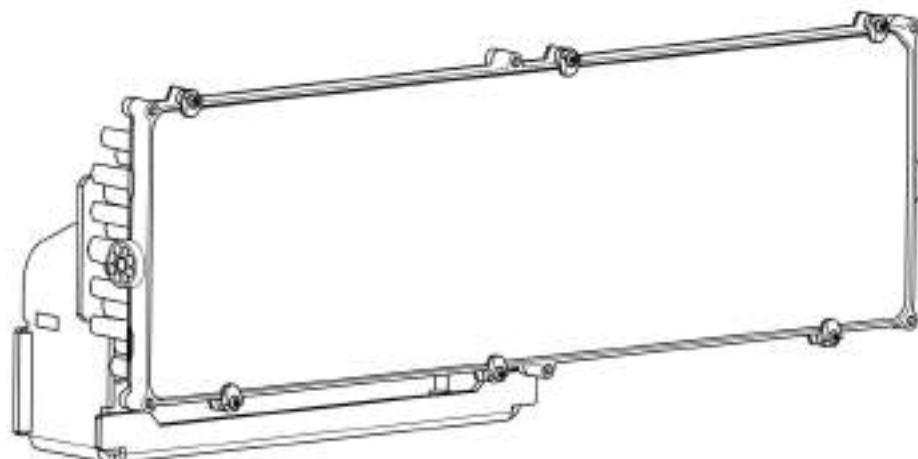


UK Installation instructions
DE Montageanleitung
CZ Montážní návod
DK Monteringsvejledning
EE Paigaldusjuhend

FI Asennusohje
FR Notice de montage
HU Szerelési útmutató
IT Istruzioni di montaggio
LT Montavimo Instrukcijos

LV Instalācijas instrukcija
NO Monteringsanvisning
PL Instrukcja montażu
SE Installationsanvisning
RU ИНСТРУКЦИЯ ПО МОНТАЖУ

TYPE : ALG5 - 144L
 - 168L



IP66 / IK08

= 9.3 kg

The luminaire with clear optic should be positioned so that prolonged staring into the luminaire at a distance <math>< 2\text{m}</math> is not expected

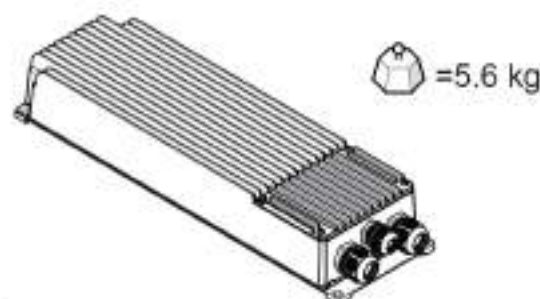
Caution, risk of electric shock
 Danger, risque de chocs électriques

Extreme caution : Do not connect any LED CONNECTION wire (high voltage) inside NTC connector !! It could result in a critical failure and damage irreversibly the ALTIS luminaire

The light source contained in this luminaire shall only be replaced by the manufacturer or his service agent or a similar qualified person.

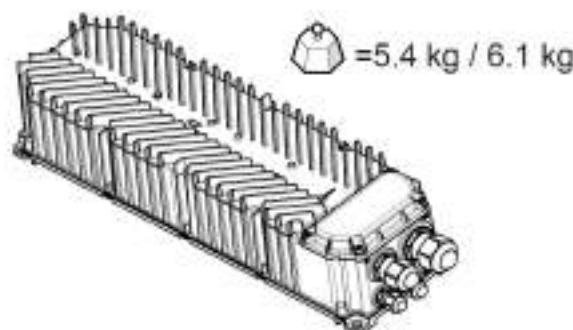


GEAR BOX : ALG5 GB LE



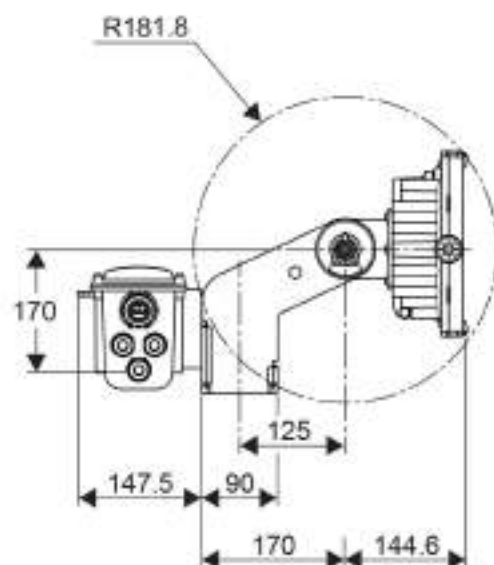
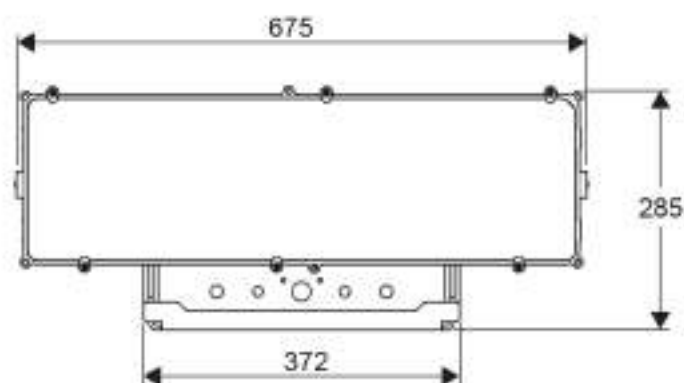
>5 km Sea side
 $T_{a_{MIN}} = -40^{\circ}\text{C} / T_{a_{MAX}} = +50^{\circ}\text{C}$
 (up to 50°C with driving current derating)
 IP66 / IK08

ALG5 GB 2CH / ALG5 GB 3CH



$T_{a_{MIN}} = -40^{\circ}\text{C} / T_{a_{MAX}} = +55^{\circ}\text{C}$
 (up to 55°C with driving current derating)
 IP66 / IK08

ALG5 - 144L
- 168L

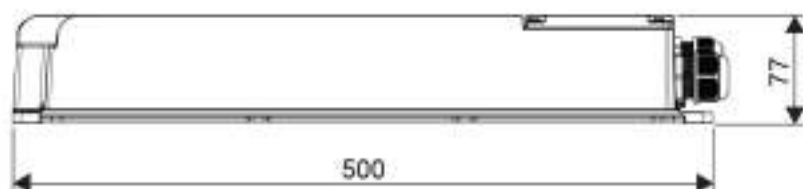
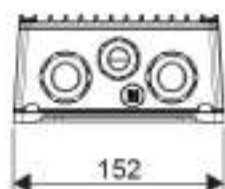


		$S_C \times 15^\circ$ *	$S_C \times 45^\circ$ *	$S_C \times 65^\circ$ *	$S_C \times 90^\circ$ *
ALG5	1 BRICK	0.072	0.112	0.16	0.17

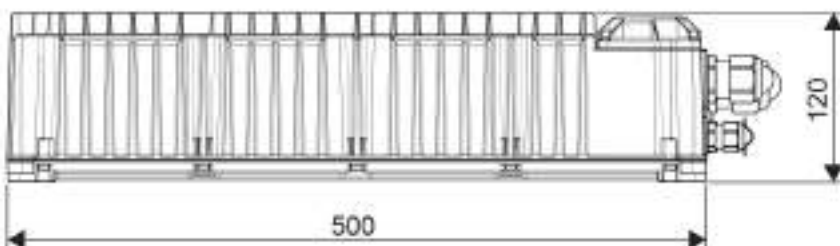
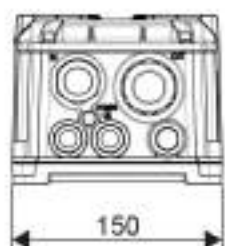


* These data refer to the worst case at indicated angle

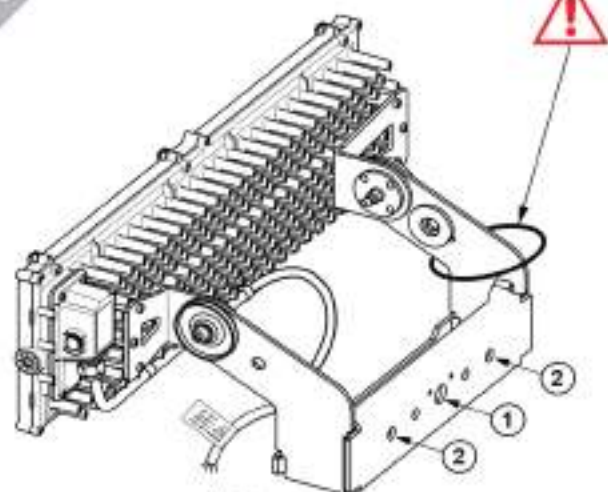
ALG5 GB LE



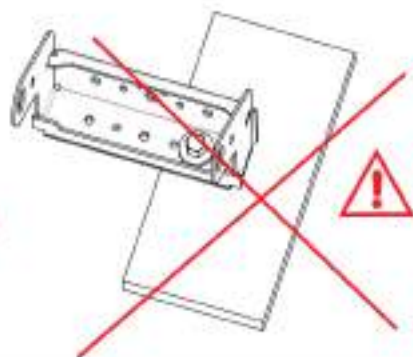
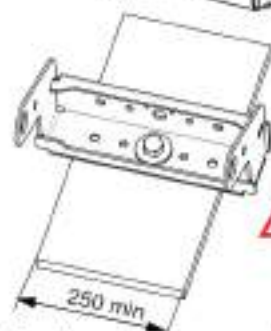
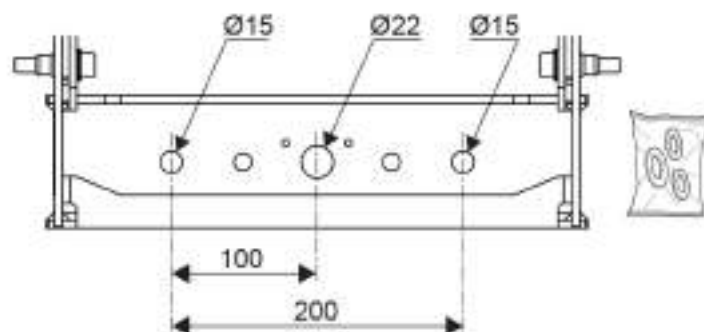
ALG5 GB 2 CH / AL G5 GB 3 CH



3



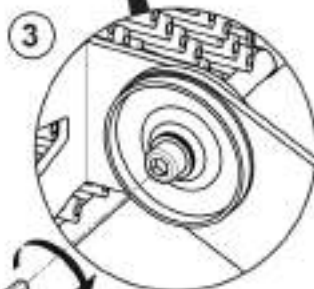
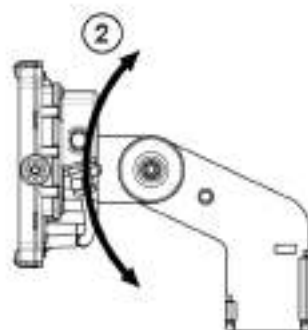
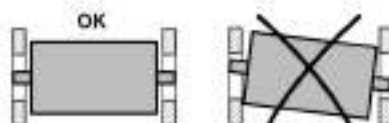
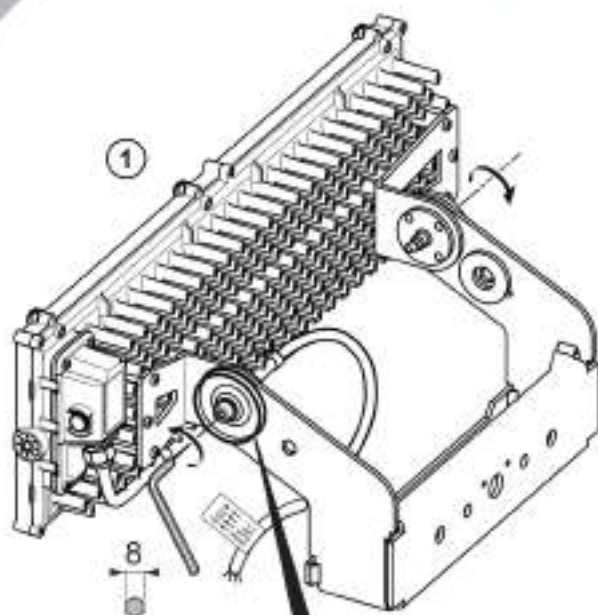
For installation higher >3m
Secure product with retaining cable
attached to the frame (not included in the delivery).
Please refer to local installation norms/regulations.



① 1xM20 with extra large washer

② 2xM14 with extra large washer

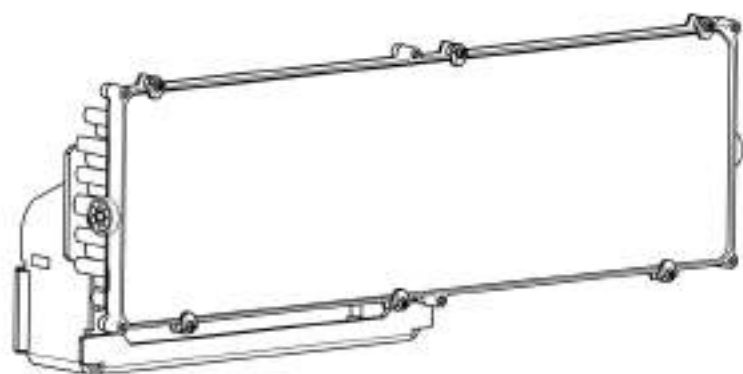
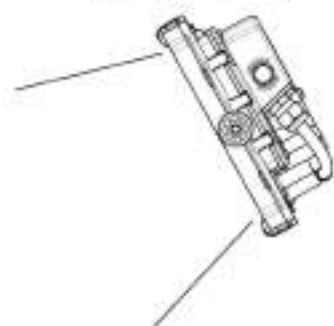
4



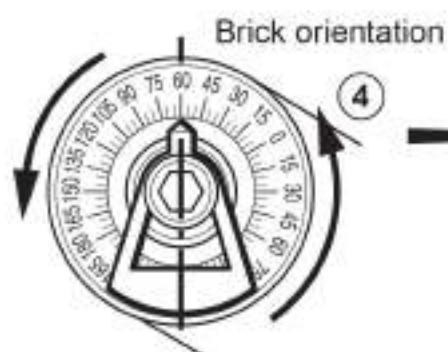
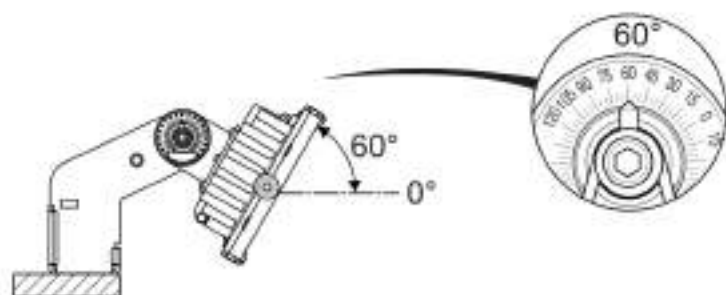
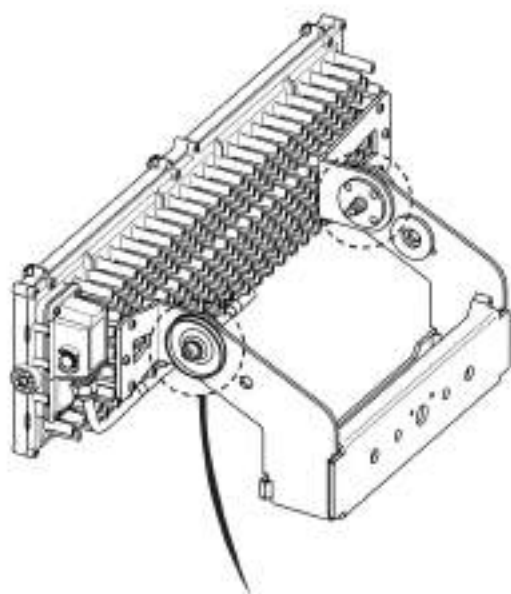
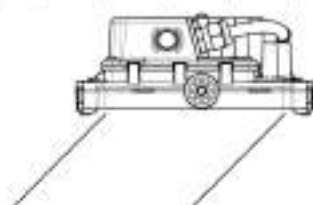
ALG5 144L125 - 740 PST NB ANT

ALG5 168L

Symmetrical / Elliptical beam
(NB, MB, WB, EB)



Asymmetrical beam
(A4, A5, A6, AI5, AI6, EW2)



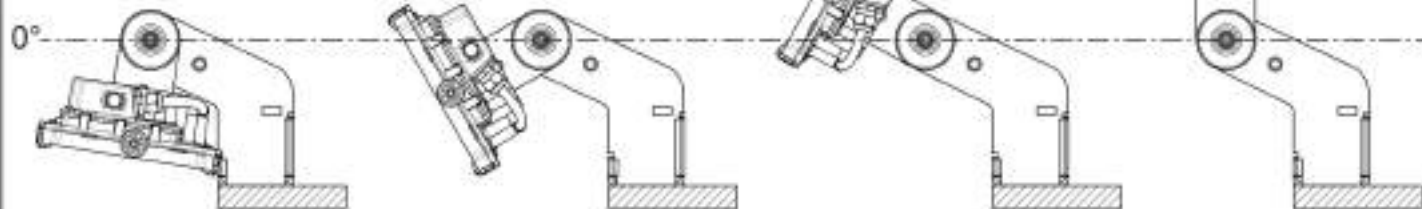
20 Nm

5

8

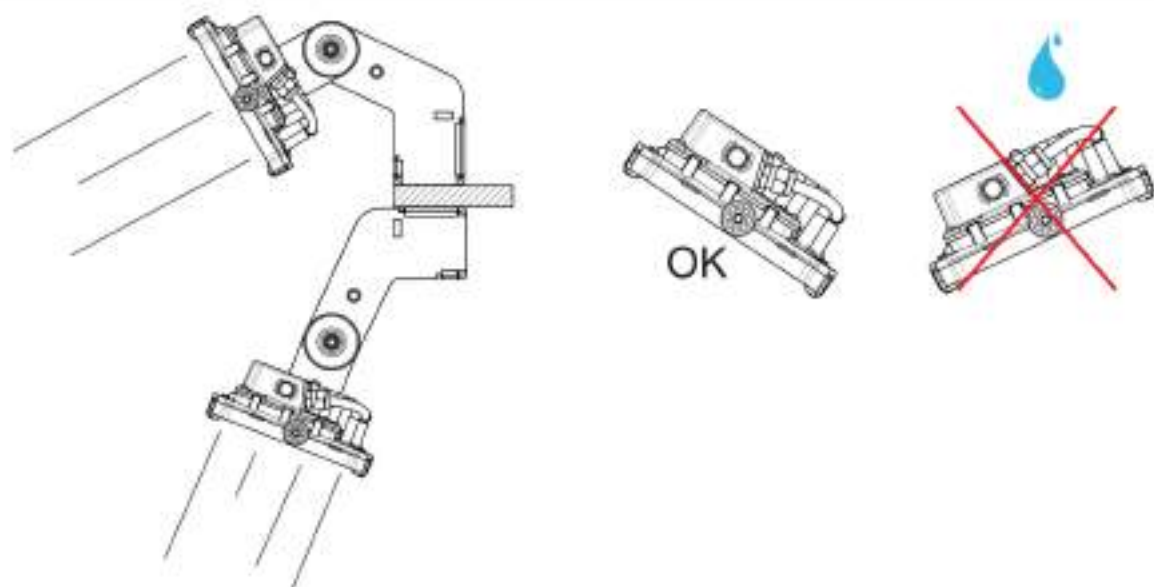
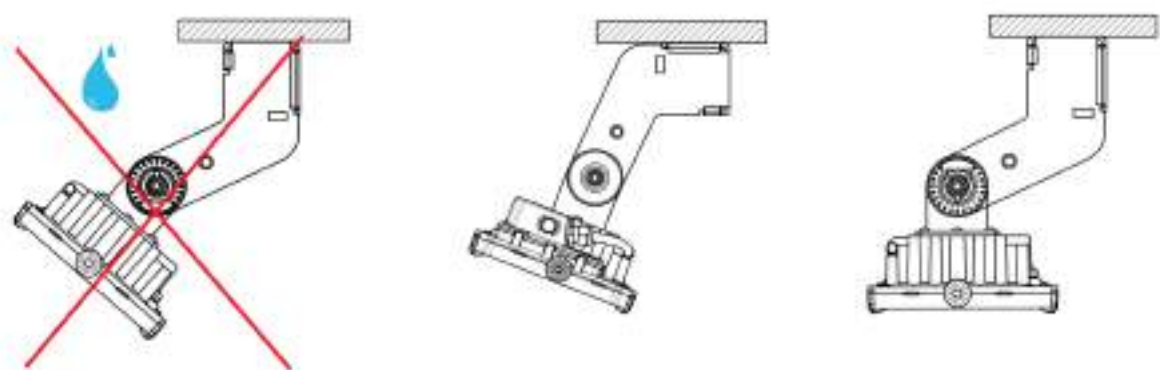
10°

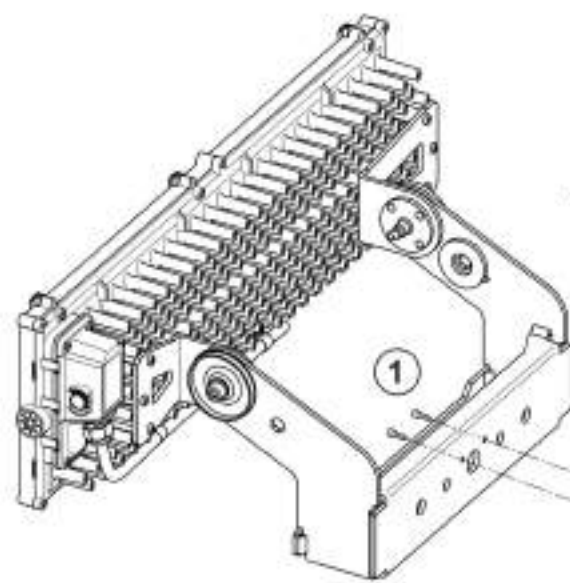
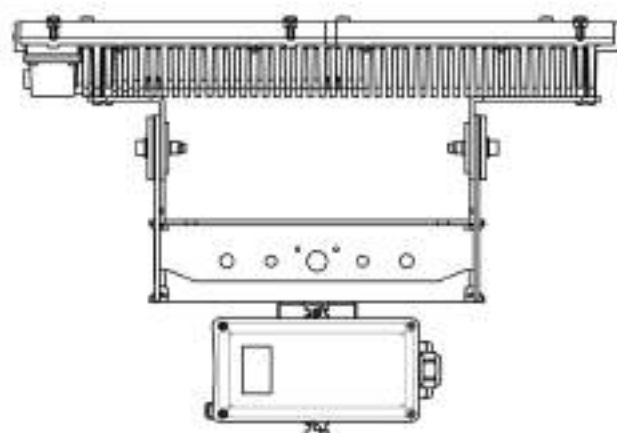
175°



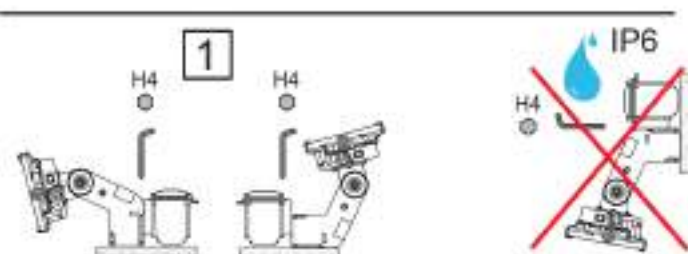
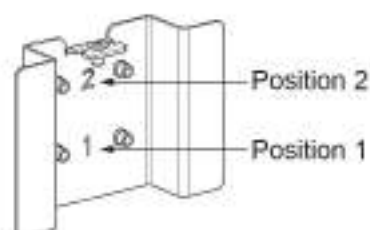
-5°

175°



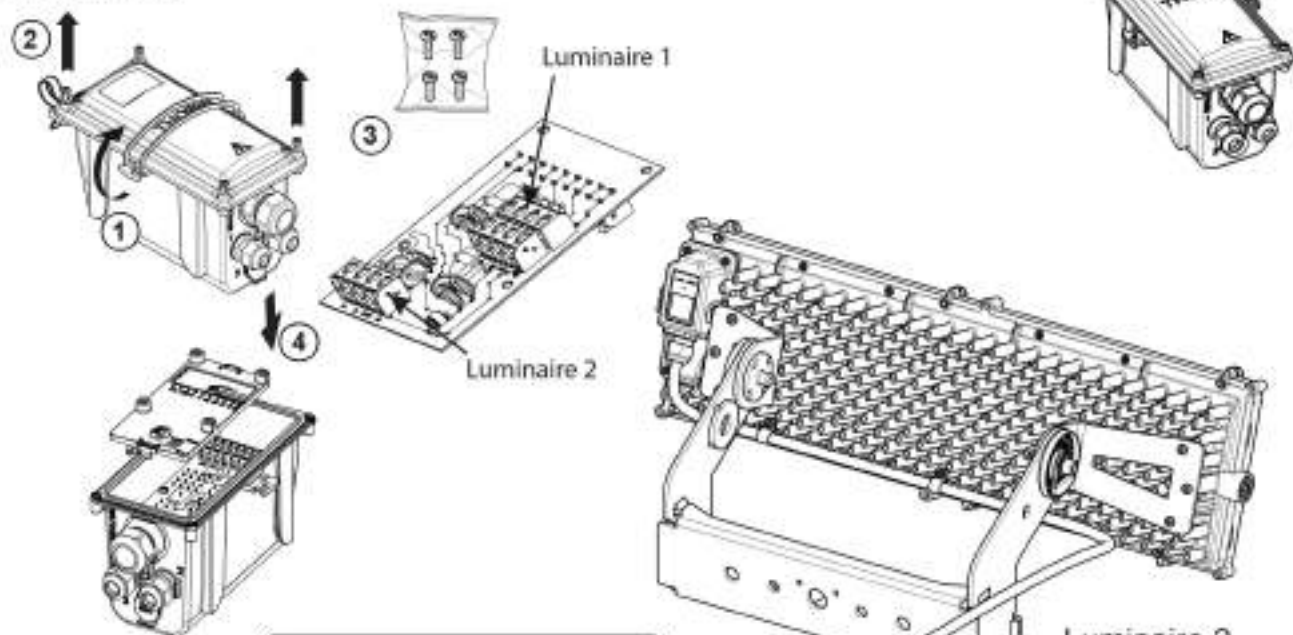


Position 1
OR
Position 2



CONNECTION BOX ALTIS G5 (TO BE ORDERED SEPARATELY)

2 x 1 Luminaire



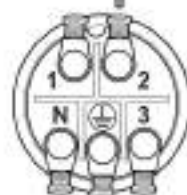
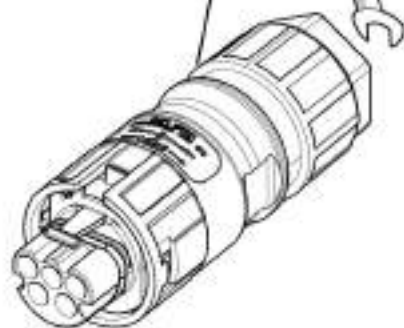
RED → LED+
 BLACK → LED-
 GREY → NTC
 G/Y → ⏏

Extreme caution : Do not connect any LED CONNECTION wire (high voltage) inside NTC connector if it could result in a critical failure and damage irreversibly the ALTIS luminaire

Recommended
 H07RNF 4G1.5mm²

H30
 4,5 Nm

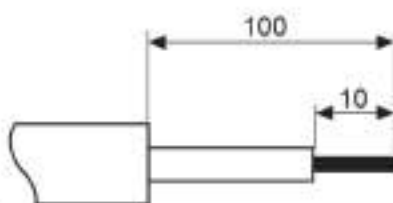
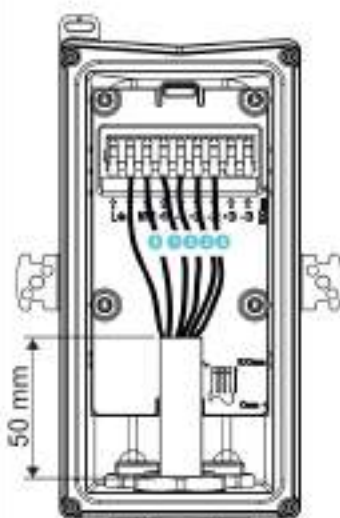
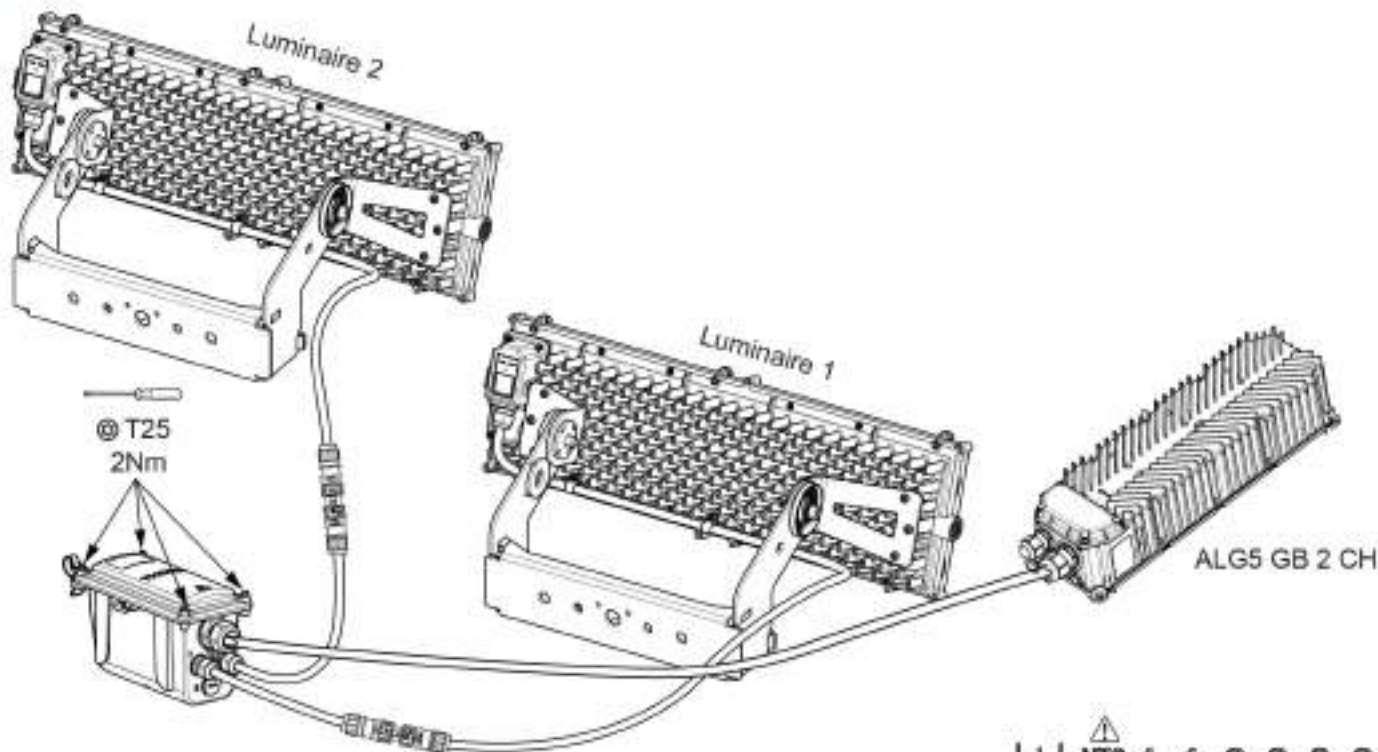
PH1
 1 Nm



1	RED
2	BLACK
3	GREY
⏏	G/Y
N	NOT USED

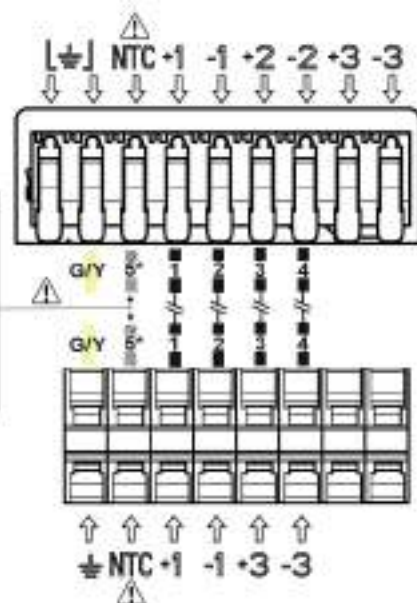
REF : PHOENIX CONTACT PRC 5 FC MS6 8-21
 PHOENIX CONTACT PRC 5 FC MS6 8-21 HR

96679580 ALTIS G5 CON 5P M+F 600V X1



Extreme caution
Do not connect any LED CONNECTION wire (high voltage) inside NTC connector !! It could result in a critical failure and damage irreversibly the ALTIS luminaire

OK
 \varnothing min = 1,0 mm²
 \varnothing typ = 1,5 mm²
 \varnothing max = 2,5 mm²



H 36
5 Nm

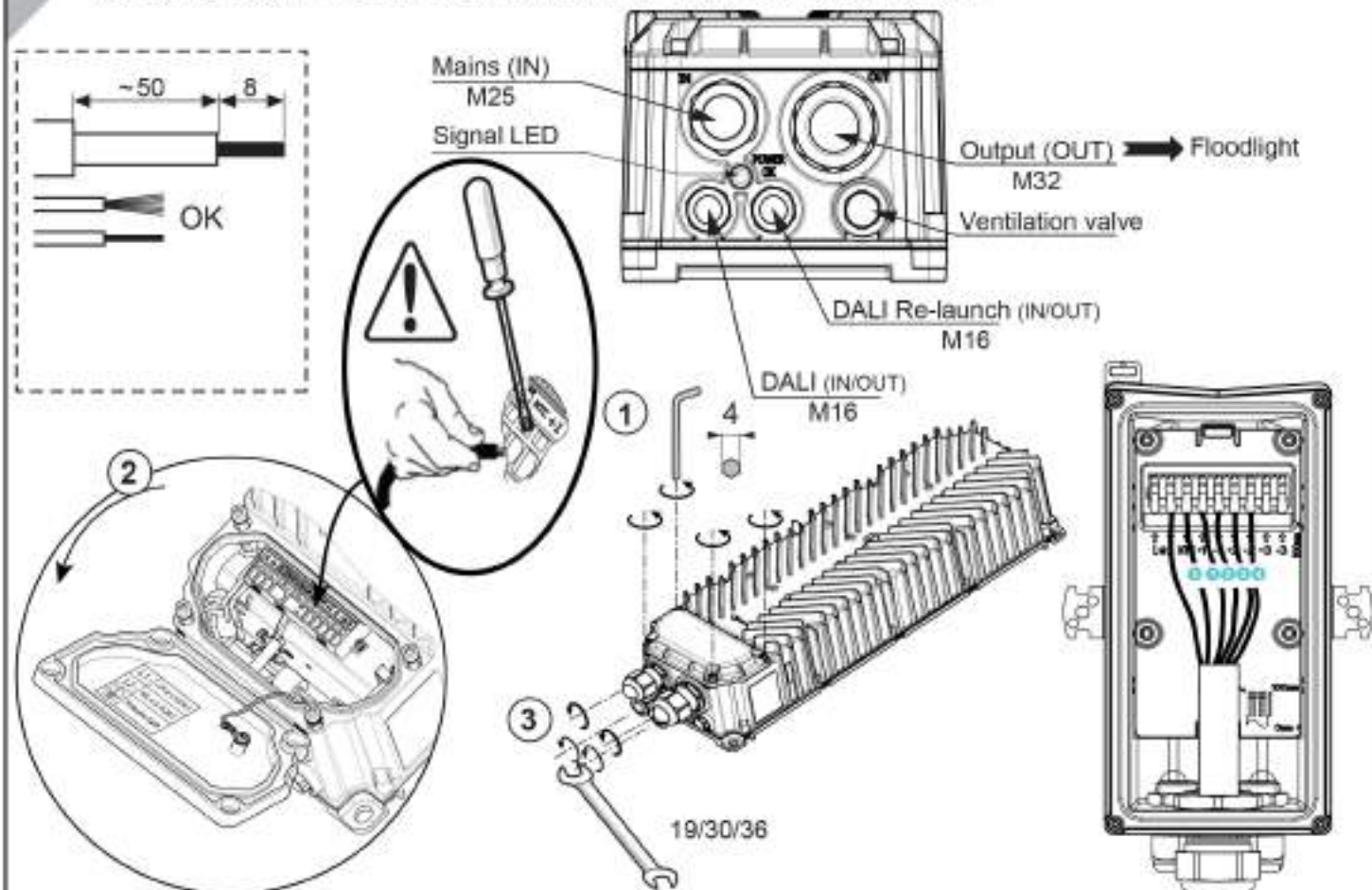
CABLE GLAND		
TYPE	ØMin	ØMax
M32	13 mm	21 mm

PINOUT		
Number	Label	Description
1	+1	LED1+Connection
2	-1	LED1-Connection
3	+2	LED2+Connection
4	-2	LED2-Connection
	+3	NO CONNECT
	-3	NO CONNECT
5	NTC	Thermal Measure INPUT
	GND	PROTECTIVE EARTH
	GND	PROTECTIVE EARTH

Luminaire 1
Luminaire 2

Lenght max = 200 m

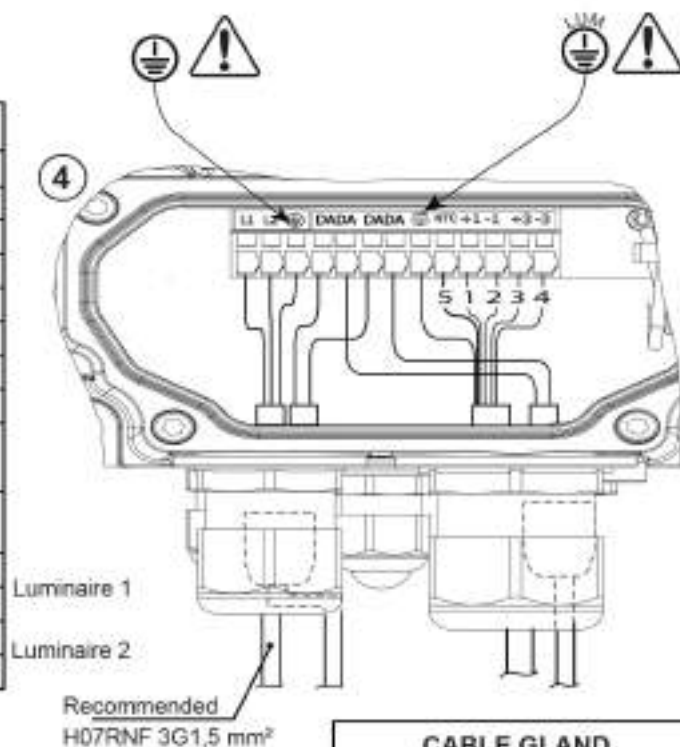




Extreme caution: Do not connect any LED CONNECTION wire (high voltage) inside NTC connector!! It could result in a critical failure and damage irreversibly the ALTIS luminaire.

PINOUT

Number	Label	Description
	L1	AC LINE 1 INPUT
	L2	AC LINE 2 INPUT
	⊕	PROTECTIVE EARTH
	DA+	DALI INPUT
	DA+	DALI RE-LAUNCH
	DA-	DALI INPUT
	DA-	DALI RE-LAUNCH
	⊕	PROTECTIVE EARTH FOR LUMINAIRE
5	NTC	THERMAL MEASURE INPUT
1	+1	LED1+CONNECTION
2	-1	LED1-CONNECTION
3	+3	LED3+CONNECTION
4	-3	LED3-CONNECTION



SIGNALLING LED INDICATIONS ON THE GEAR BOX

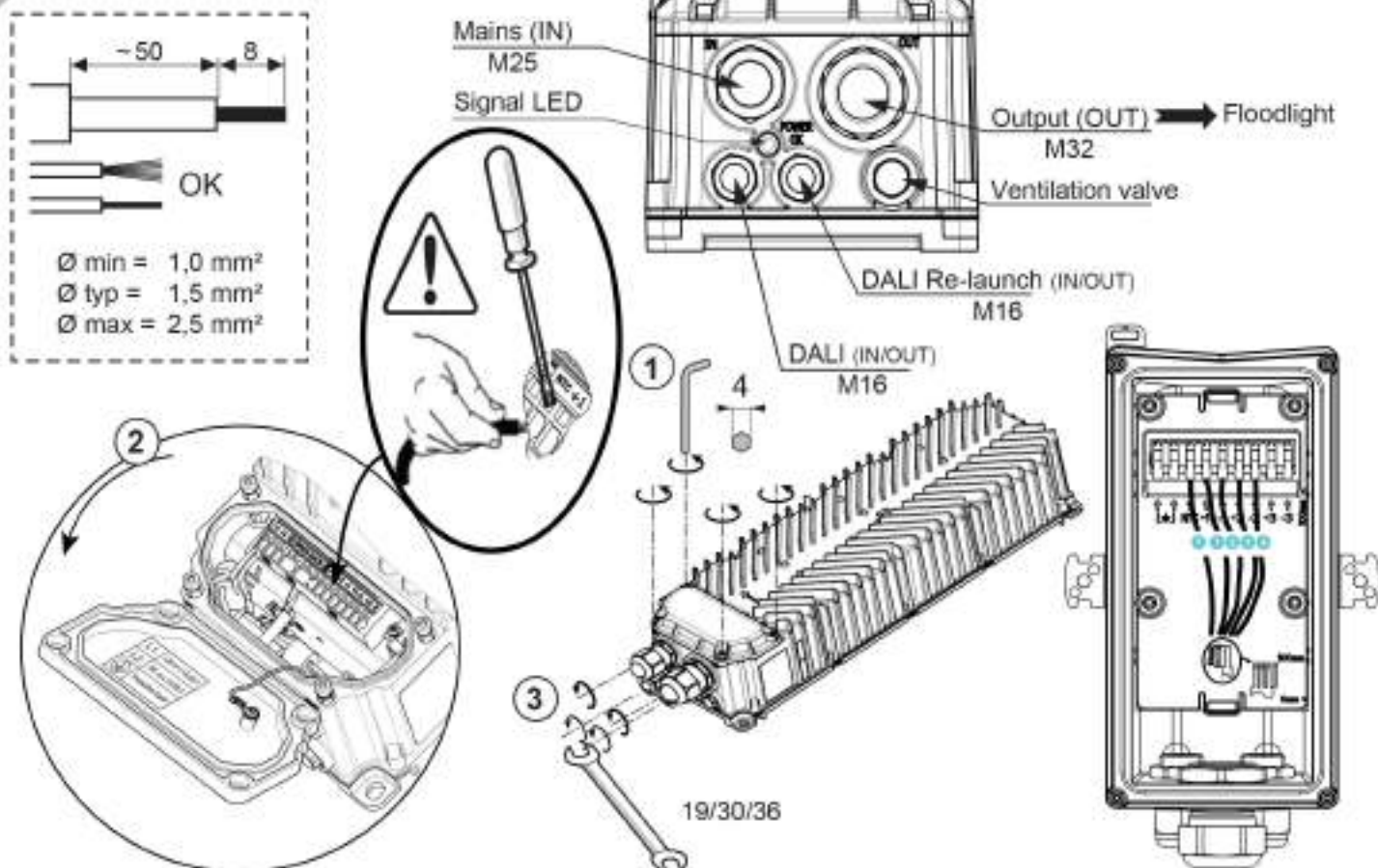
PERIOD	PULSES	FAULT DESCRIPTION	PRIORITY
The encoded faults are based on pulses emitted every 4 seconds	1	One or more active outputs is not working	Maximum ↑ Minimum
	5	Undervoltage on one or more active outputs	
	2	short circuit on one or more active outputs	
	3	One or more active outputs disconnection from load	
	4	Overload on one or more active outputs	

CABLE GLAND

TYPE	ØMin	ØMax
M16	5 mm	10 mm
M25	10 mm	17 mm
M32	13 mm	21 mm

SEAL REDUCER for GB and FLOOD

TYPE	ØMin	ØMax
M32	10 mm	16 mm



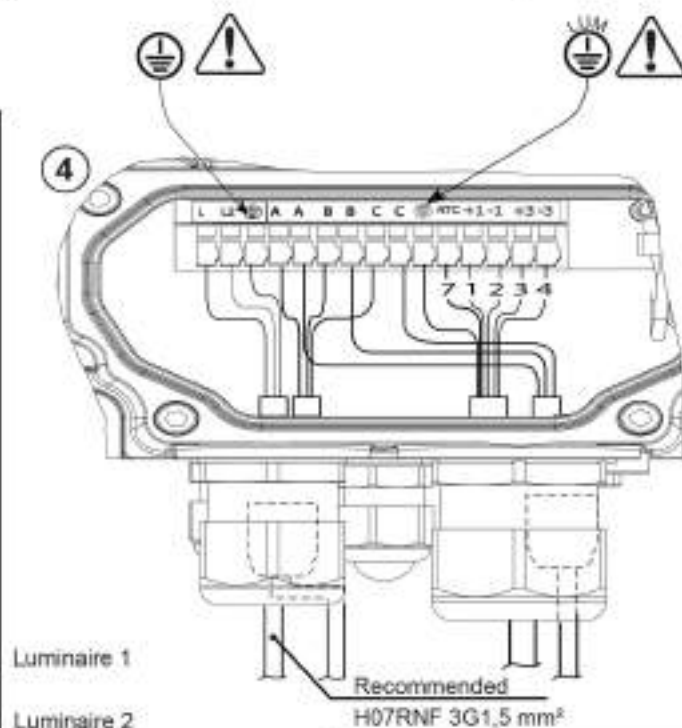
Extreme caution: Do not connect any LED CONNECTION wire (high voltage) inside NTC connector if it could result in a critical failure and damage irreversibly the ALTIS luminaire

PINOUT

Number	Label	Description
	L1	AC LINE 1 INPUT
	L2	AC LINE 2 INPUT
	⊕	PROTECTIVE EARTH
	A	DMX INPUT DATA+
	A	DMX-RE-LAUNCH DATA+
	B	DMX INPUT DATA-
	B	DMX-RE-LAUNCH DATA-
	S	DMX COMMON / SHIELD
	S	DMX COMMON / SHIELD
	⊕	PROTECTIVE EARTH FOR LED MODULE
7	NTC	THERMAL MEASURE INPUT
1	+1	LED1+CONNECTION
2	-1	LED1-CONNECTION
3	+3	LED3+CONNECTION
4	-3	LED3-CONNECTION

SIGNALLING LED INDICATIONS ON THE GEAR BOX

PERIOD	PULSES	FAULT DESCRIPTION	PRIORITY
The encoded faults are based on pulses emitted every 4 seconds	1	One or more active outputs is not working	Maximum ↑ Minimum
	5	Undervoltage on one or more active outputs	
	2	short circuit on one or more active outputs	
	3	One or more active outputs disconnection from load	
	4	Overload on one or more active outputs	

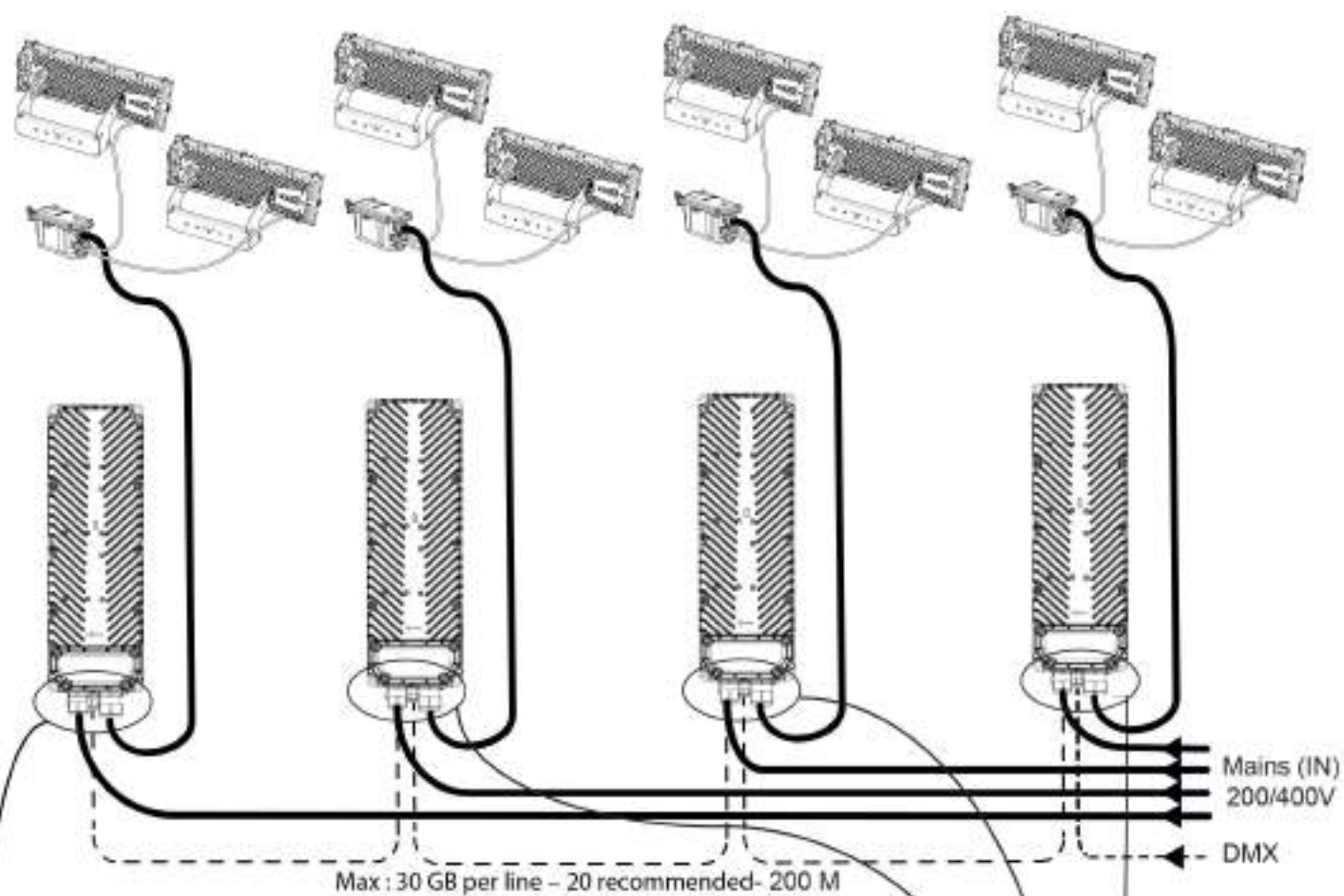
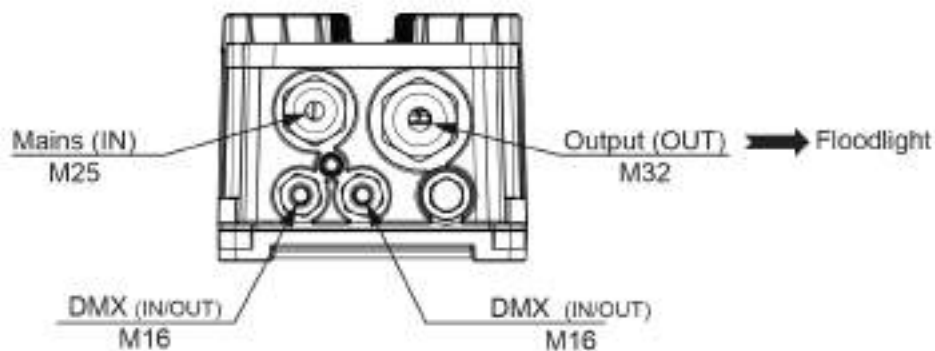


CABLE GLAND

TYPE	ØMin	ØMax
M16	5 mm	10 mm
M25	10 mm	17 mm
M32	13 mm	21 mm

SEAL REDUCER for GB and FLOOD

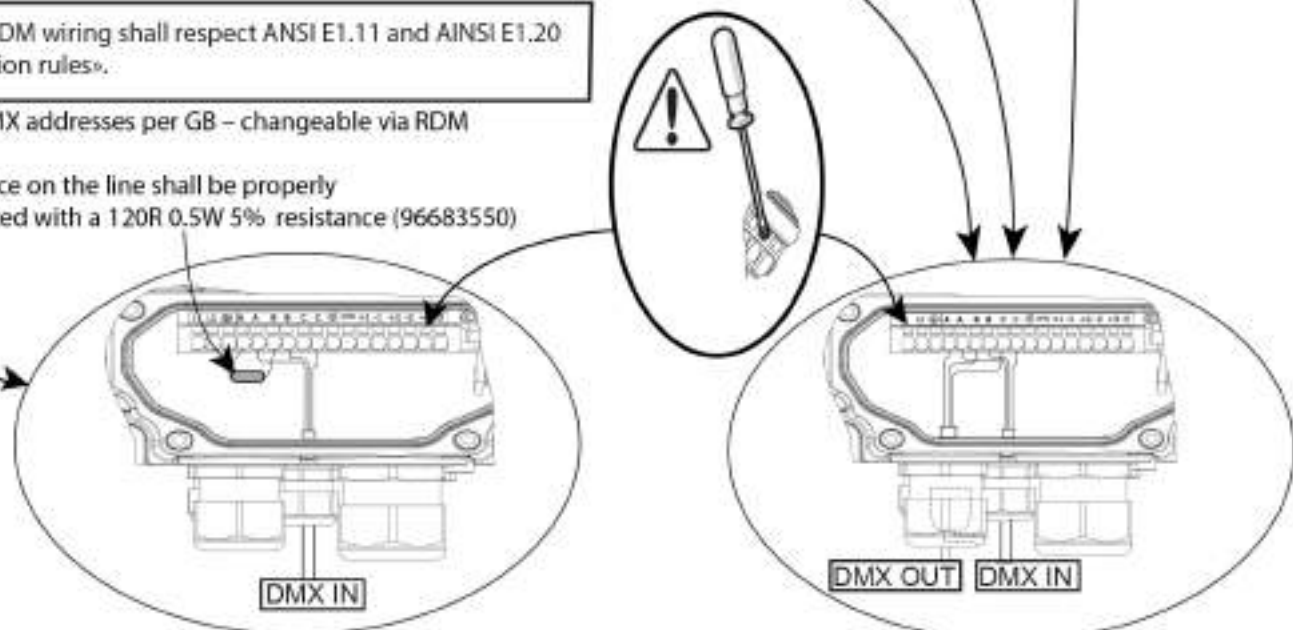
TYPE	ØMin	ØMax
M32	10 mm	16 mm



« DMX-RDM wiring shall respect ANSI E1.11 and AINSI E1.20 installation rules.»

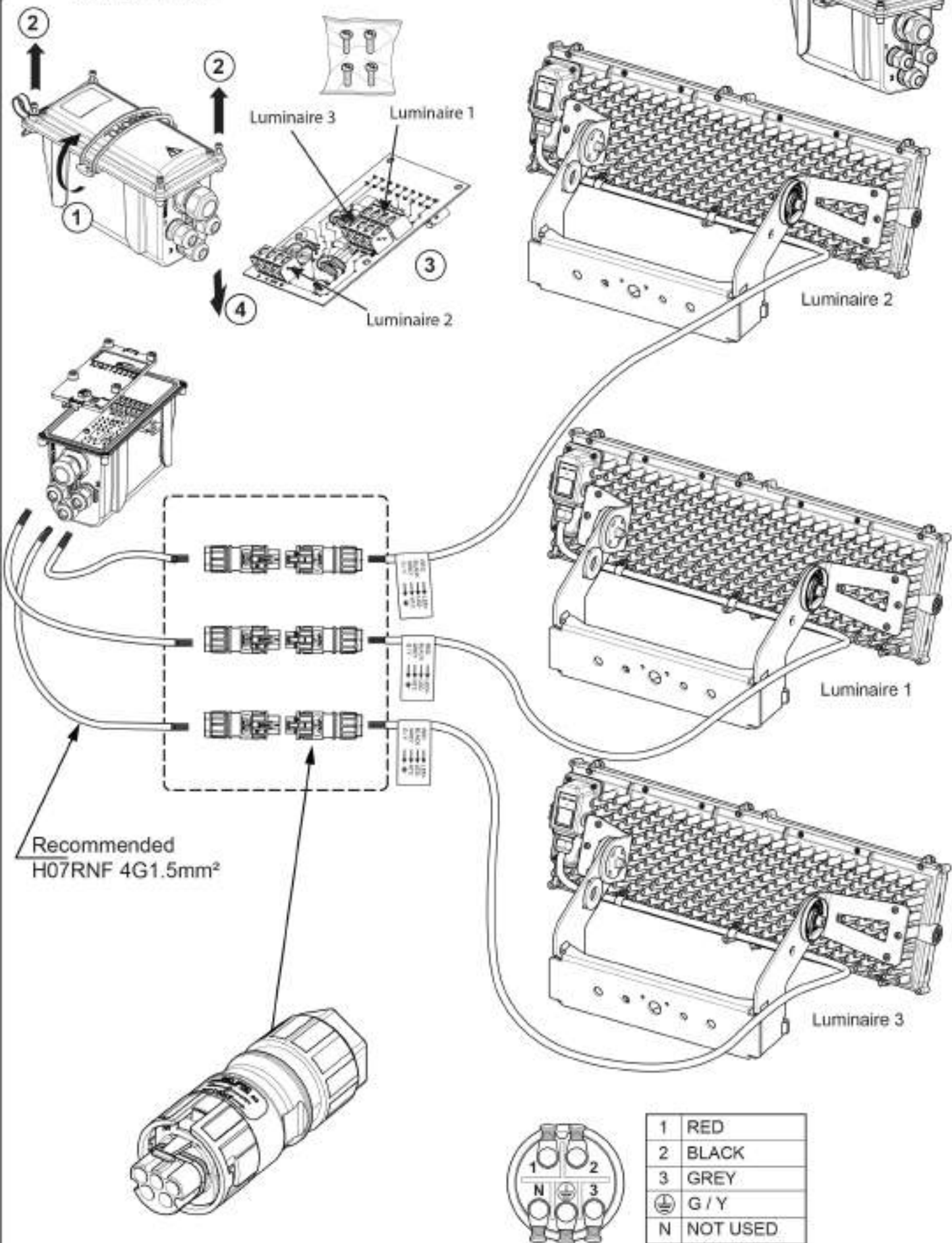
1 to 3 DMX addresses per GB – changeable via RDM

Last device on the line shall be properly terminated with a 120R 0.5W 5% resistance (96683550)



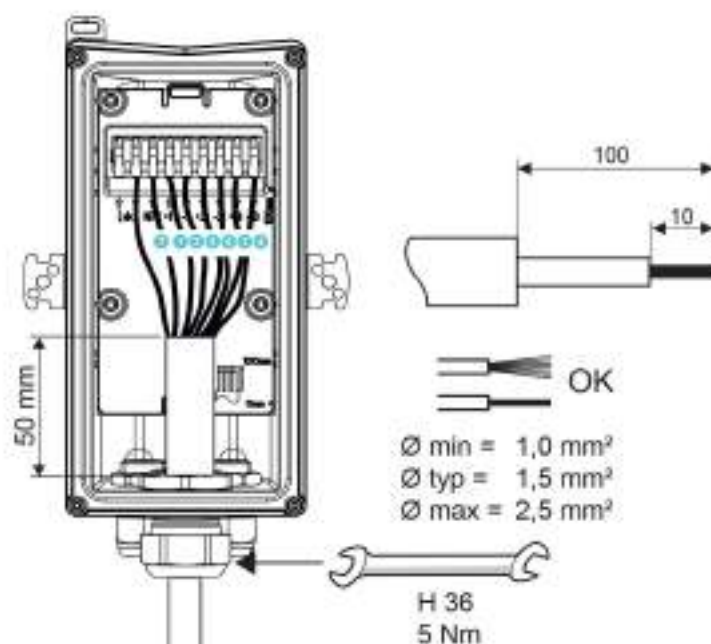
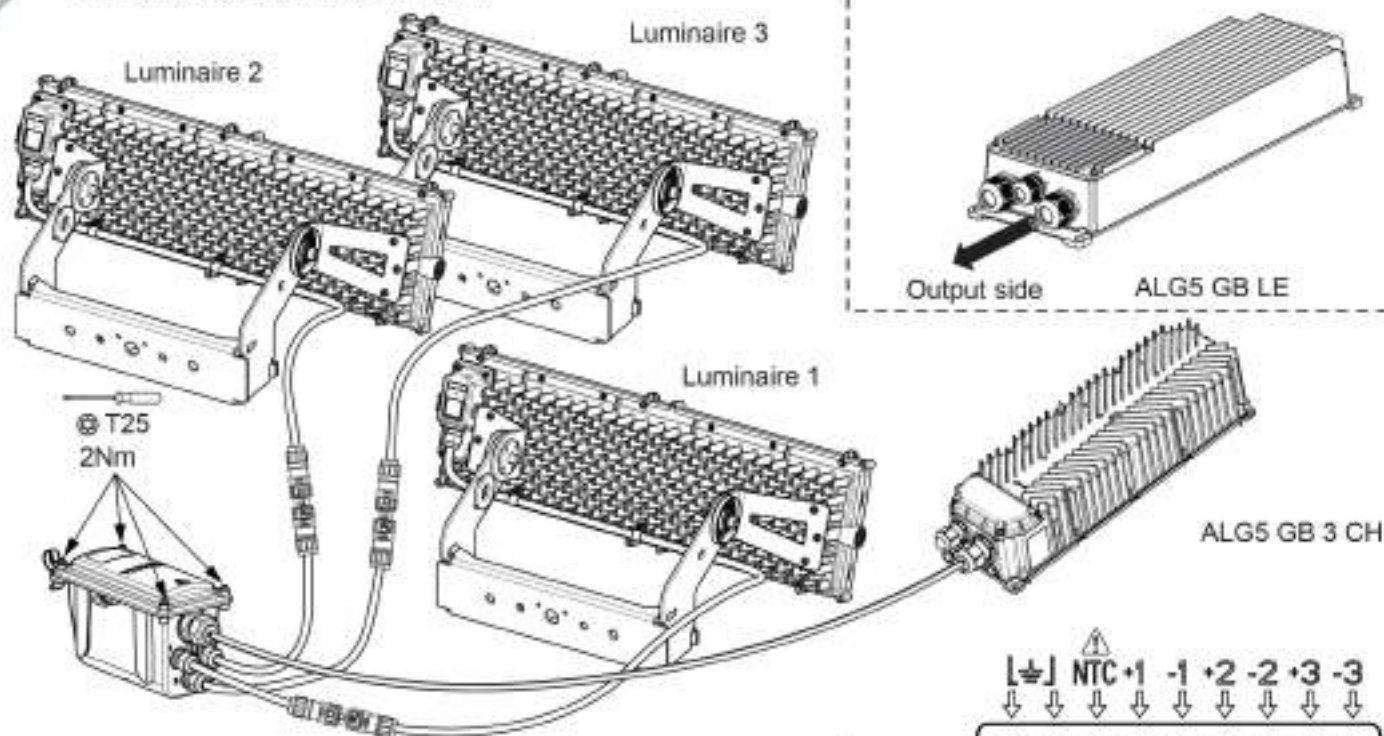
CONNECTION BOX ALTIS G5 (TO BE ORDERED SEPARATELY)

3 x 1 Luminaire



REF : PHOENIX CONTACT PRC 5 FC MS6 8-21
PHOENIX CONTACT PRC 5 FC MS6 8-21 HR

96679580 ALTIS G5 CON 5P M+F 600V X1

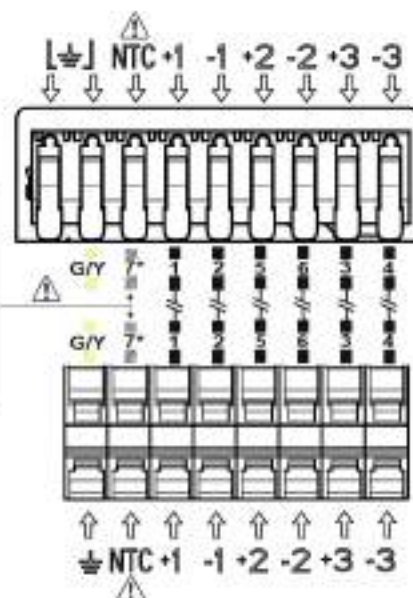


CABLE GLAND		
TYPE	ØMin	ØMax
M32	13 mm	21 mm

Lenght max = 200 m

Lenght max = 200 m

Extreme caution!
Do not connect any LED CONNECTION wire (high voltage) inside NTC connector !! It could result in a critical failure and damage irreversibly the ALTIS luminaire



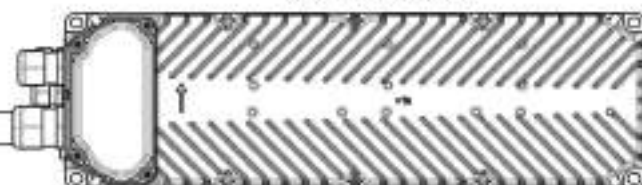
PINOUT		
Number	Label	Description
1	+1	LED1+Connection
2	-1	LED1-Connection
3	+3	LED3+Connection
4	-3	LED3-Connection
5	+2	LED2+Connection
6	-2	LED2-Connection
7	NTC	Thermal Measure INPUT
	GND	PROTECTIVE EARTH
	GND	PROTECTIVE EARTH

Luminaire 1

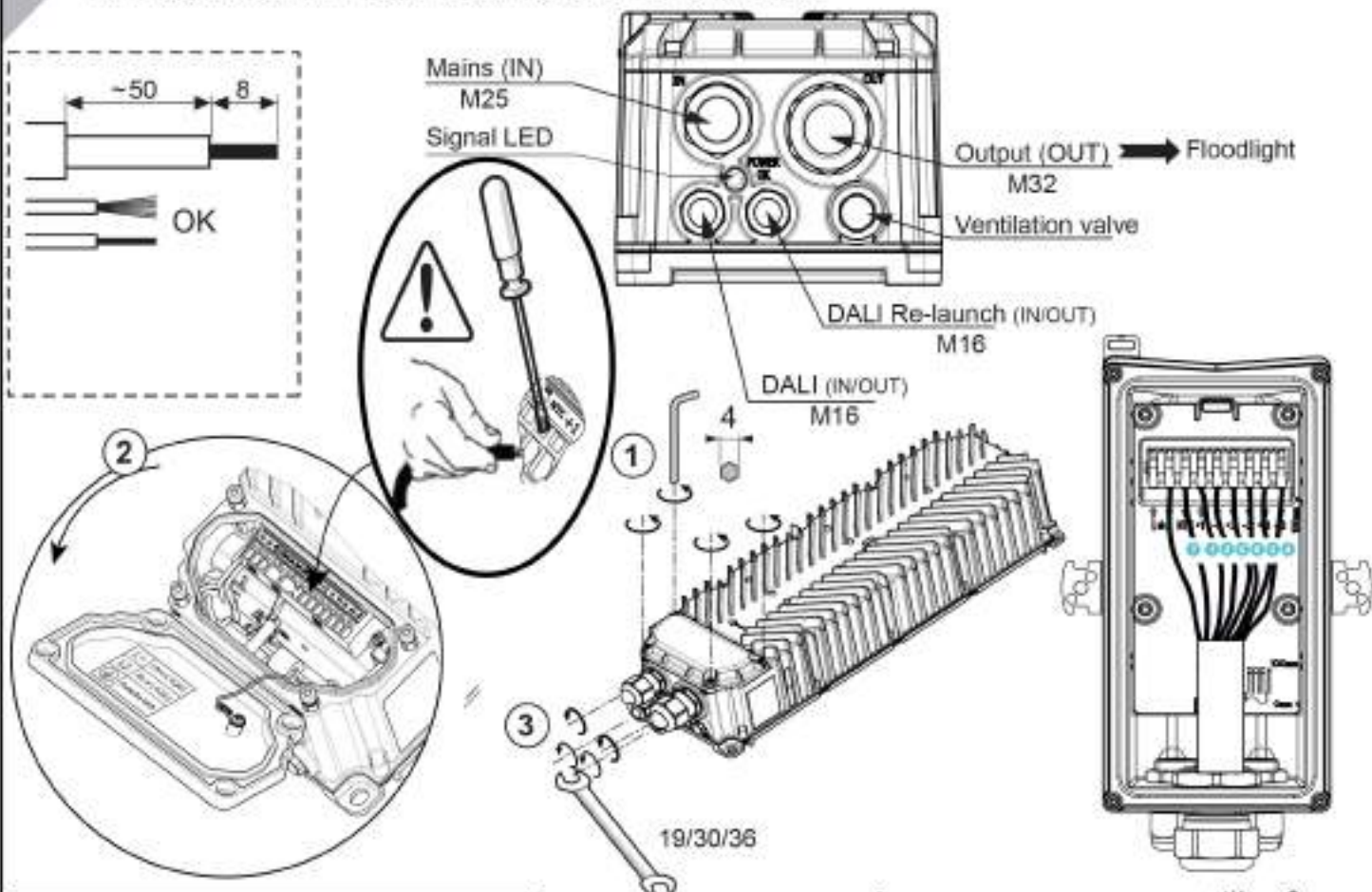
Luminaire 3

Luminaire 2

ALG5 GB 3 CH



ALG4 GB LE

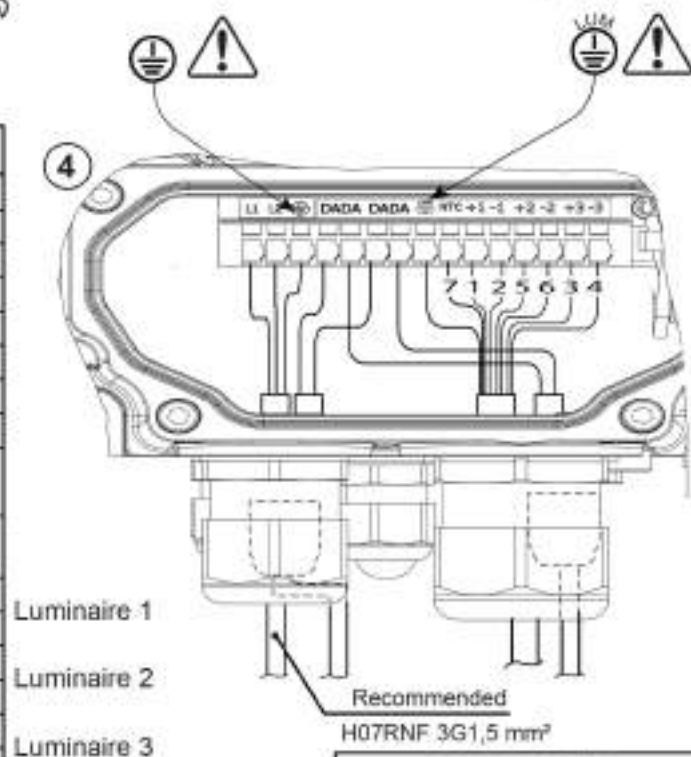


PINOUT

Number	Label	Description
	L1	AC LINE 1 INPUT
	L2	AC LINE 2 INPUT
		PROTECTIVE EARTH
	DA+	DALI INPUT
	DA+	DALI RE-LAUNCH
	DA-	DALI INPUT
	DA-	DALI RE-LAUNCH
		PROTECTIVE EARTH FOR LED MODULE
7	NTC	THERMAL MEASURE INPUT
1	+1	LED1+CONNECTION
2	-1	LED1-CONNECTION
5	+2	LED2+CONNECTION
6	-2	LED2-CONNECTION
3	+3	LED3+CONNECTION
4	-3	LED3-CONNECTION

SIGNALLING LED INDICATIONS ON THE GEAR BOX

PERIOD	PULSES	FAULT DESCRIPTION	PRIORITY
The encoded faults are based on pulses emitted every 4 seconds	1	One or more CCR module enabled by config are not communicating with logic board	Maximum ↑ Minimum
	5	Firmware version of one or more CCR module is not compatible with logic board firmware version	
	2	One or more CCR's output is short-circuited	
	3	Load failure on one or more CCR's output	
	4	Thermal derating active (output current reduction)	

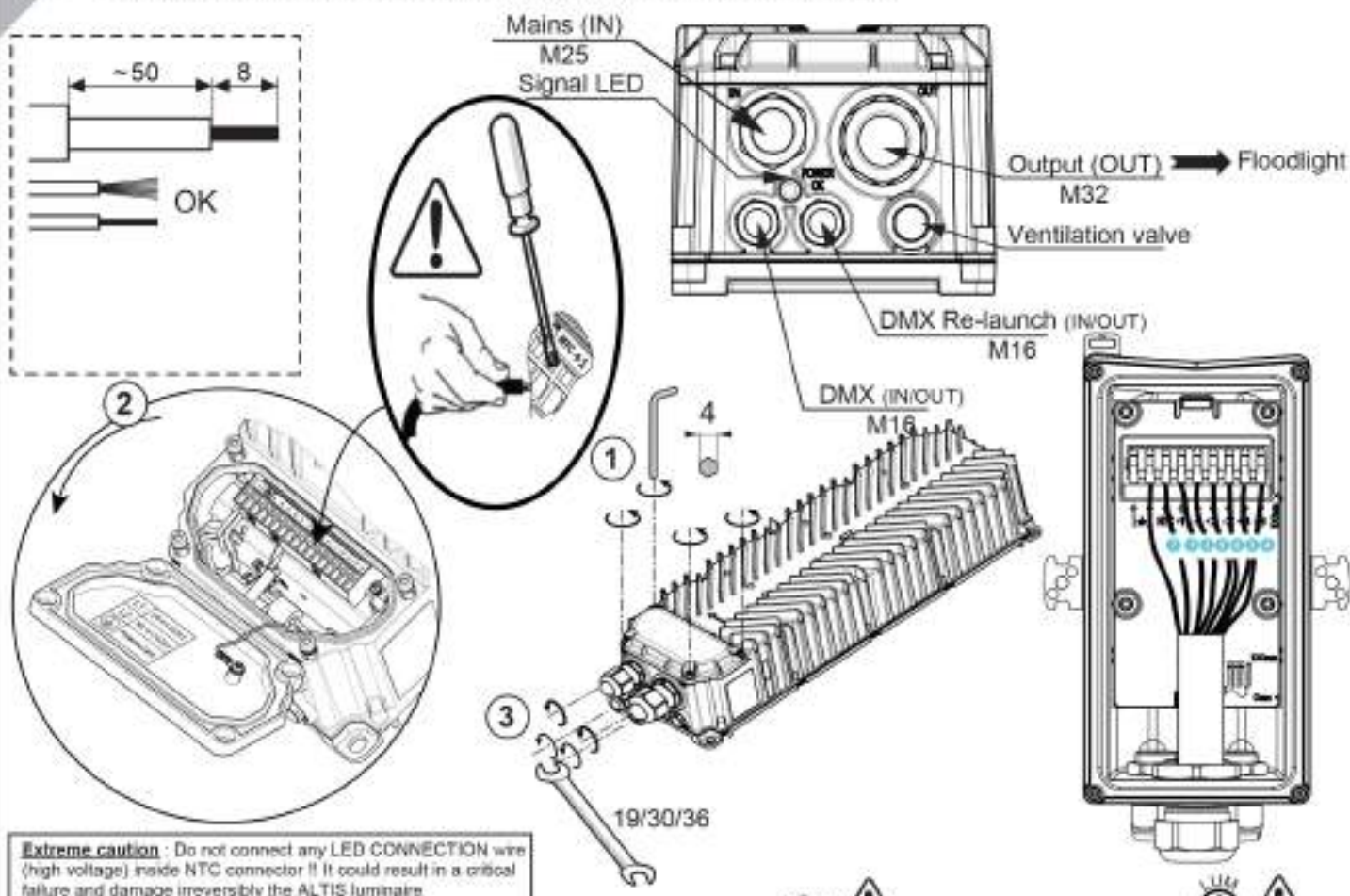


CABLE GLAND

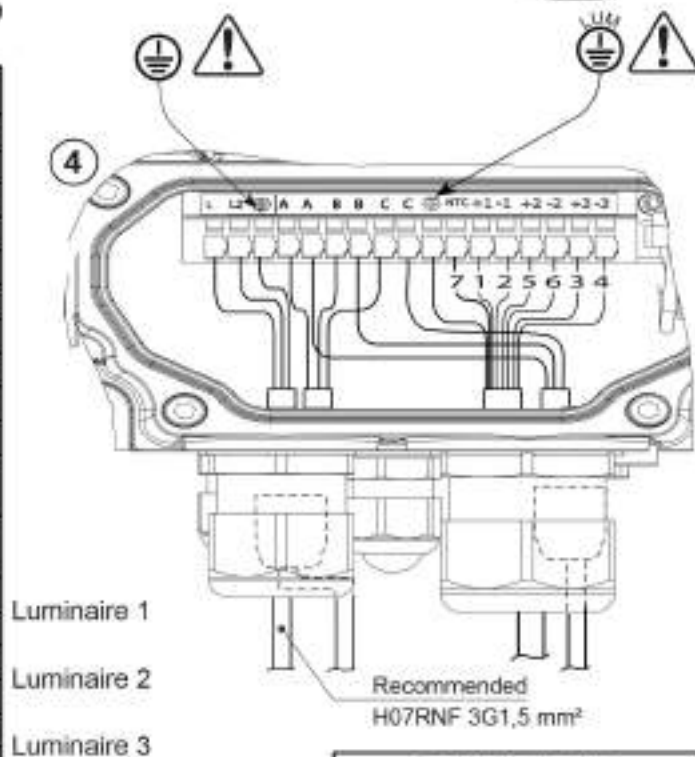
TYPE	ØMin	ØMax
M16	5 mm	10 mm
M25	10 mm	17 mm
M32	13 mm	21 mm

SEAL REDUCER for GB and FLOOD

TYPE	ØMin	ØMax
M32	10 mm	16 mm



PINOUT		
Number	Label	Description
	L1	AC LINE 1 INPUT
	L2	AC LINE 2 INPUT
	⊕	PROTECTIVE EARTH
	A	DMX INPUT DATA+
	A	DMX-RE-LAUNCH DATA+
	B	DMX INPUT DATA-
	B	DMX-RE-LAUNCH DATA-
	S	DMX COMMON / SHIELD
	S	DMX COMMON / SHIELD
	⊕	PROTECTIVE EARTH FOR LED MODULE
7	NTC	THERMAL MEASURE INPUT
1	+1	LED1+CONNECTION
2	-1	LED1-CONNECTION
5	+2	LED2+CONNECTION
6	-2	LED2-CONNECTION
3	+3	LED3+CONNECTION
4	-3	LED3-CONNECTION



SIGNALLING LED INDICATIONS ON THE GEAR BOX

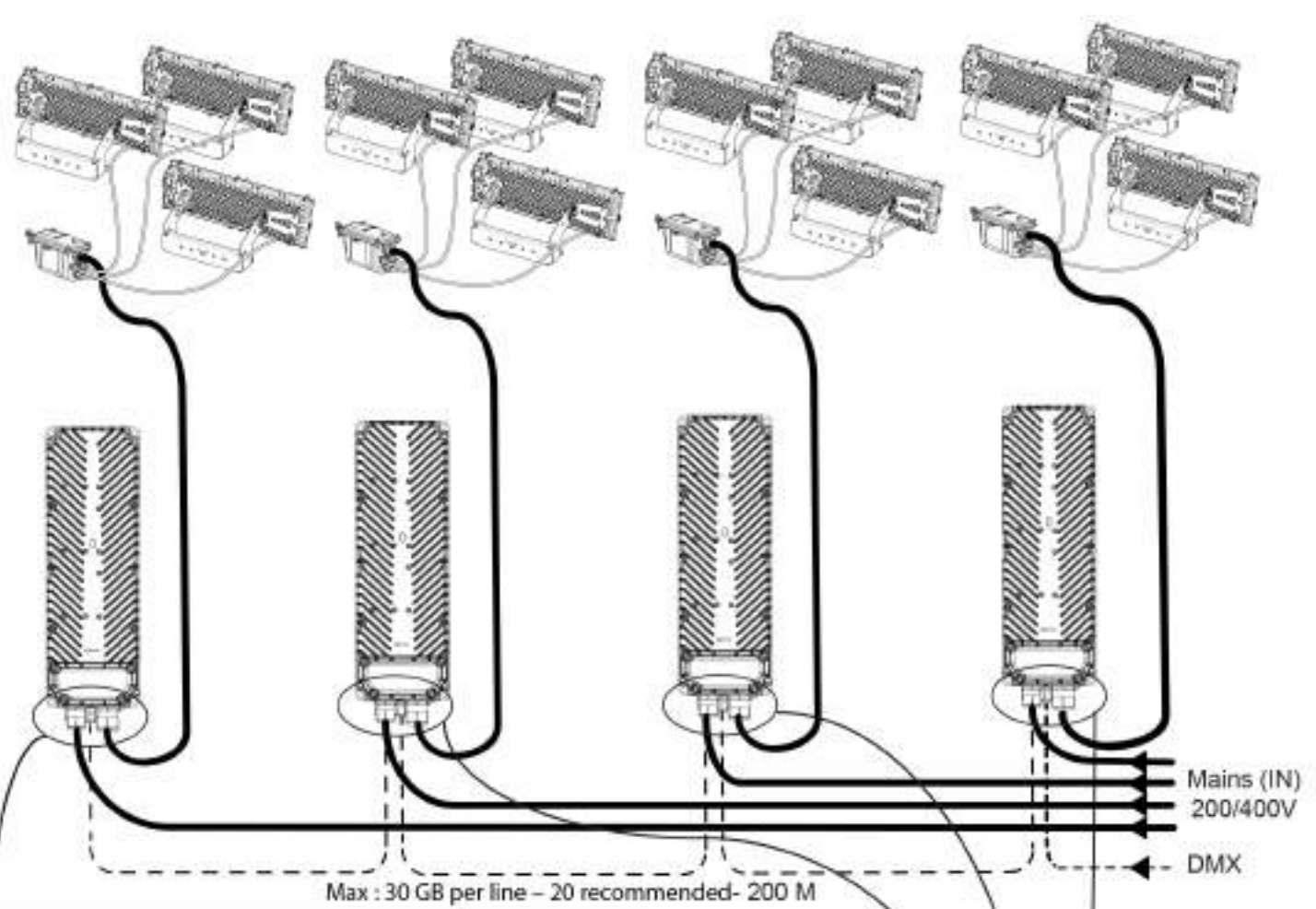
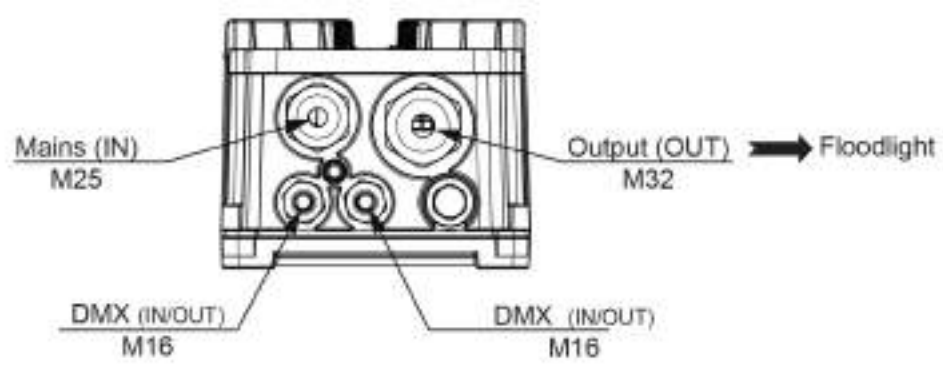
PERIOD	PULSES	FAULT DESCRIPTION	PRIORITY
The encoded faults are based on pulses emitted every 4 seconds	1	One or more CCR module enabled by config are not communicating with logic board	Maximum
	5	Firmware version of one or more CCR module is not compatible with logic board firmware version	
	2	One or more CCR's output is short-circuited	Minimum
	3	Load failure on one or more CCR's output	
	4	Thermal derating active (output current reduction)	

CABLE GLAND

TYPE	ØMin	ØMax
M16	5 mm	10 mm
M25	10 mm	17 mm
M32	13 mm	21 mm

SEAL REDUCER for GB and FLOOD

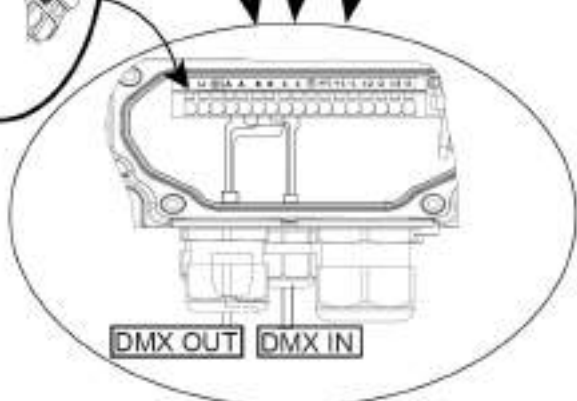
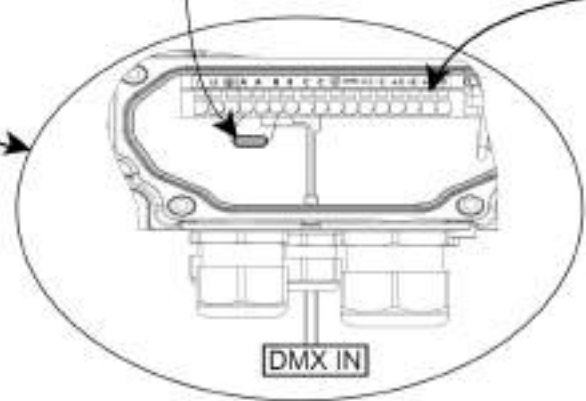
TYPE	ØMin	ØMax
M32	10 mm	16 mm

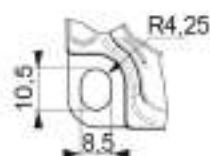
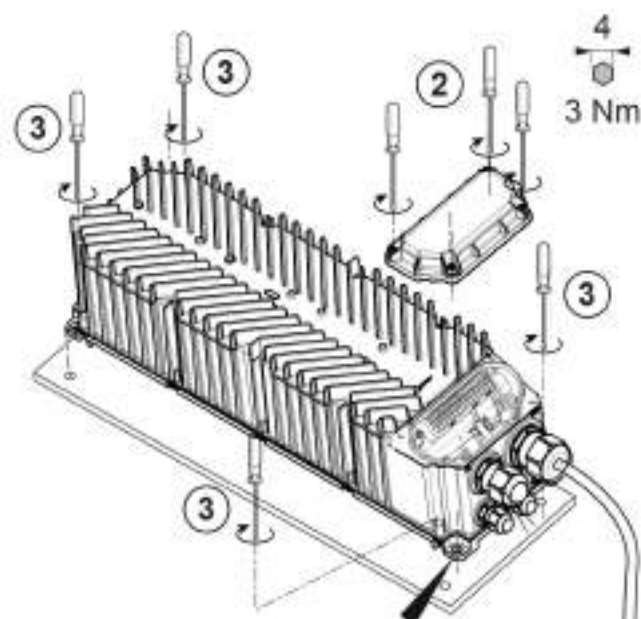


« DMX-RDM wiring shall respect ANSI E1.11 and AINSI E1.20 installation rules ».

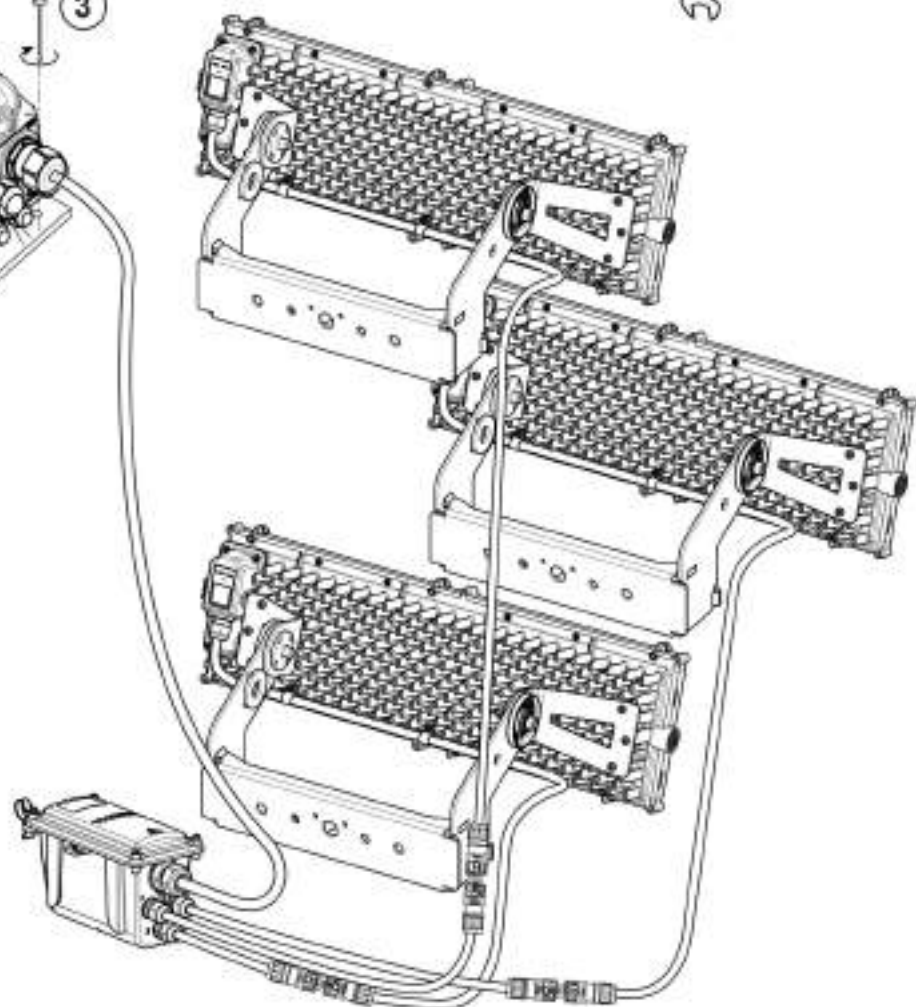
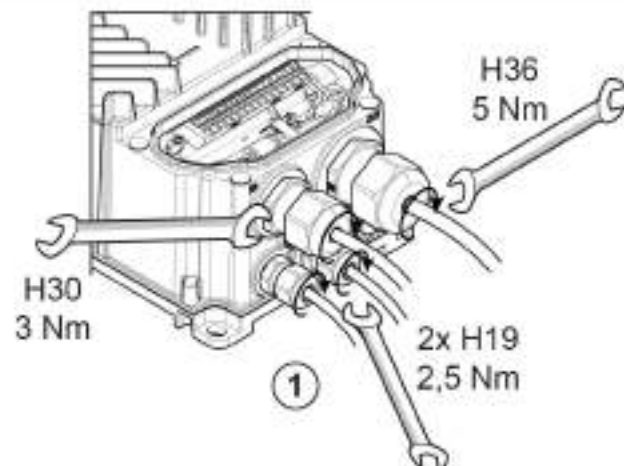
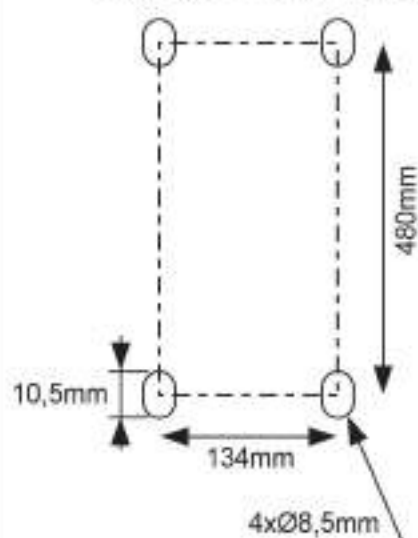
1 to 3 DMX addresses per GB - changeable via RDM

Last device on the line shall be properly terminated with a 120R 0.5W 5% resistance (96683550)

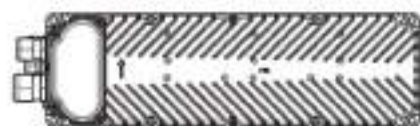




Drilling recommendation:



HORIZONTAL



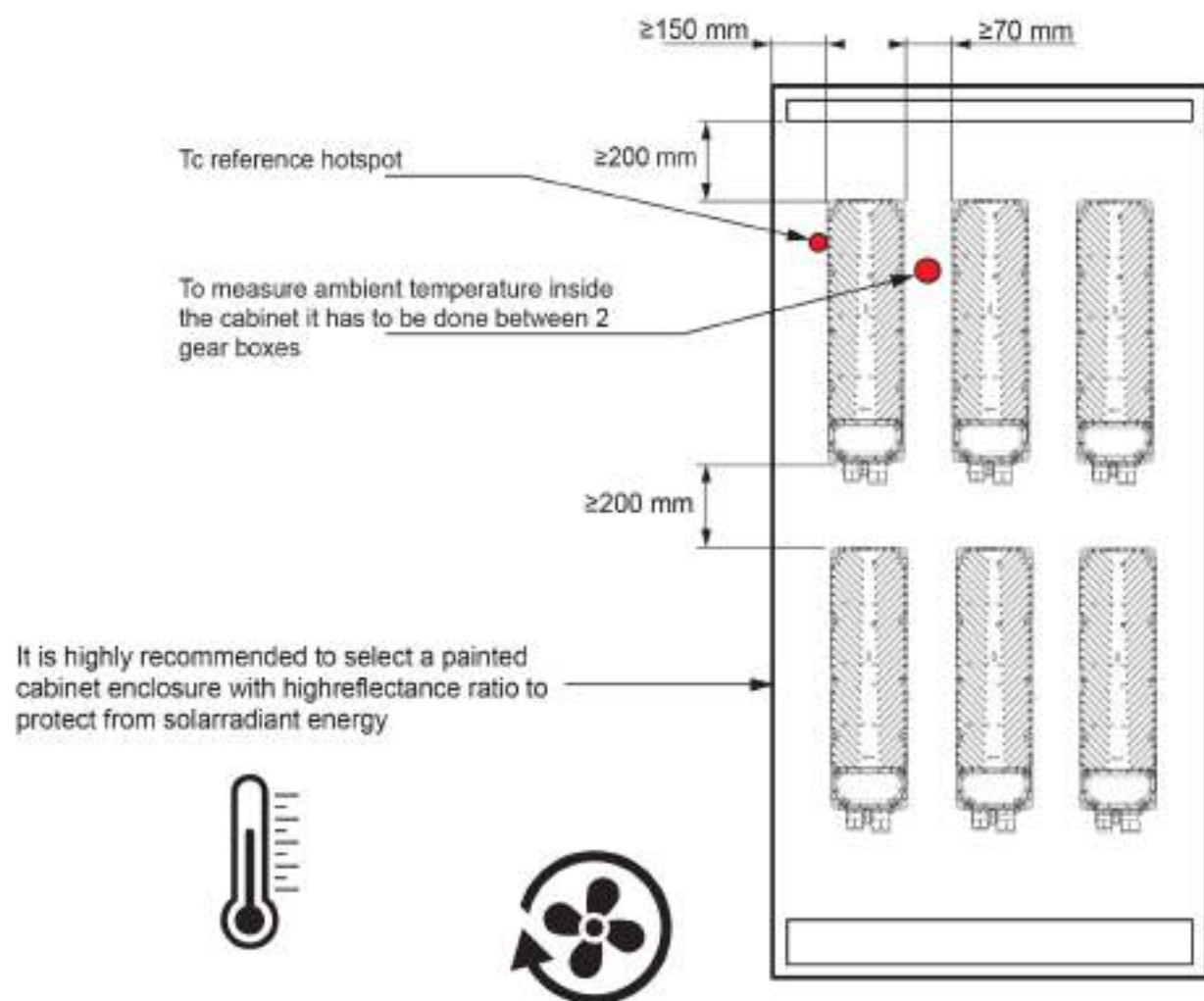
LATERAL / SIDE



VERTICAL

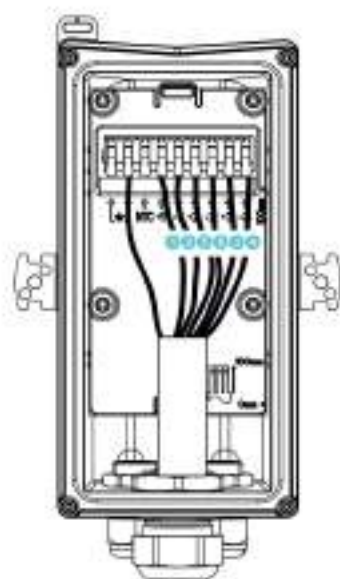
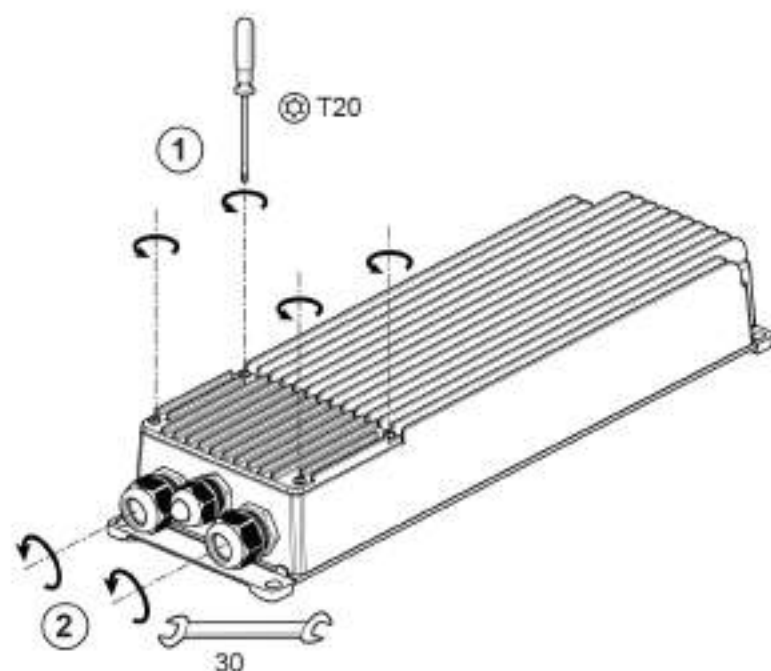
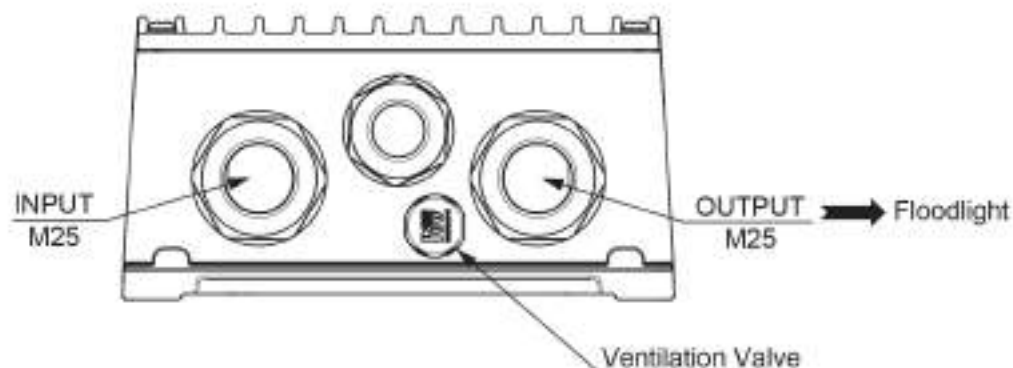
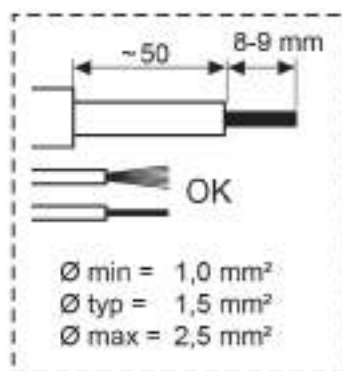


GUIDELINE FOR INTEGRATION OF GEAR BOX

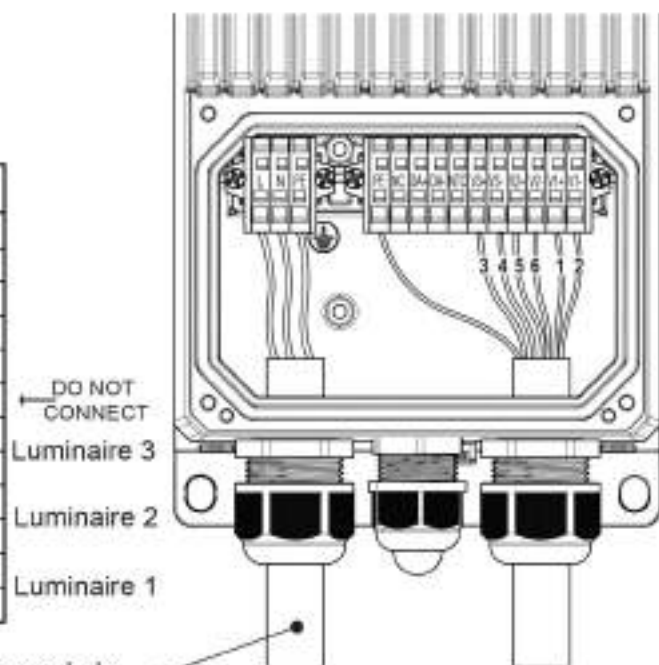


If you cannot follow instructions included in previous section regarding gear box integration, you have to measure Tc reference point taking into consideration that measures must be down to Tc_max

Tc Reference at Max Ambient				
Position	Horizontal	Vertical	Side	
Mounting				
	230Vac	81°C	80°C	82°C (Ref.)
	400Vac	69°C	68°C	70°C (Ref.)
Ambient Max	55°C	55°C	55°C (Ref.)	

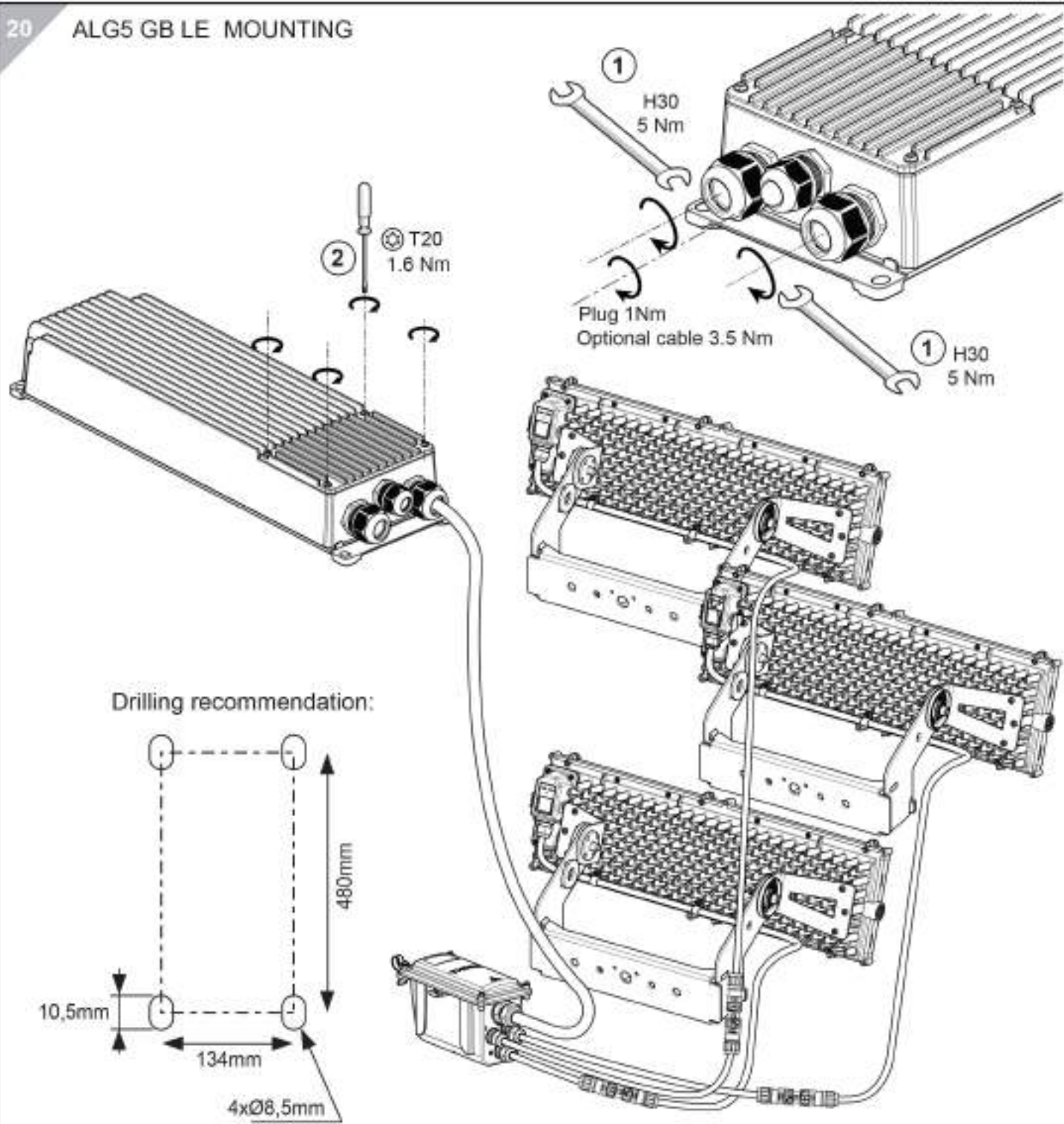


PINOUT		
Number	Label	Description
	L	AC INPUT
	N	AC INPUT
	PE	PROTECTIVE EARTH
	PE	PE FOR LED MODULE
	NTC	THERMAL PROTECTION FOR LED FIXTURE
3	V3+	OUTPUT CHANNEL 3+
4	V3-	OUTPUT CHANNEL 3-
5	V2+	OUTPUT CHANNEL 2+
8	V2-	OUTPUT CHANNEL 2-
1	V1+	OUTPUT CHANNEL 1+
2	V1-	OUTPUT CHANNEL 1-



The wiring should follow label marking instruction,
 Otherwise the product could be damaged or the fonctions could be affected.
 Each set of + or - are not potential identical, cross connection is prohibited.

CABLE GLAND		
TYPE	ØMin	ØMax
M20	6.3 mm	11.3 mm
M25	10 mm	16.3 mm



HORIZONTAL



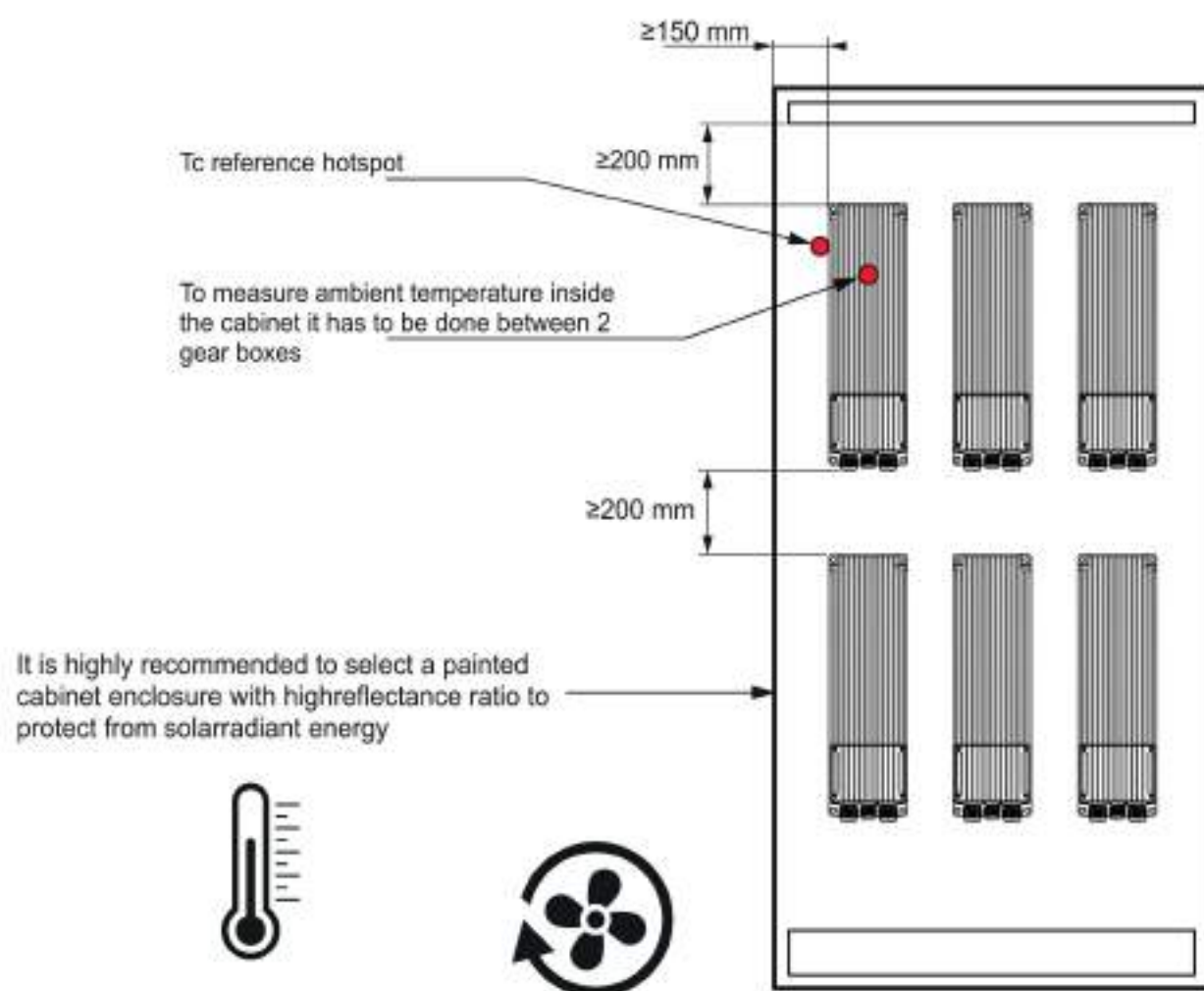
LATERAL / SIDE



VERTICAL



GUIDELINE FOR INTEGRATION OF GEAR BOX



If you cannot follow instructions included in previous section regarding gear box integration, you have to measure Tc reference point taking into consideration that measures must be down to Tc_max.

Tc Reference at Max Ambient			
Position	Horizontal	Vertical	Side
Mounting			
230Vac	85°C	84°C	85°C (Ref.)
400Vac	80°C	77°C	80°C (Ref.)
Ambient Max	50°C	50°C	50°C (Ref.)

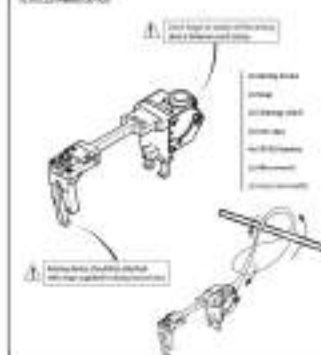
Aiming Device

THORN

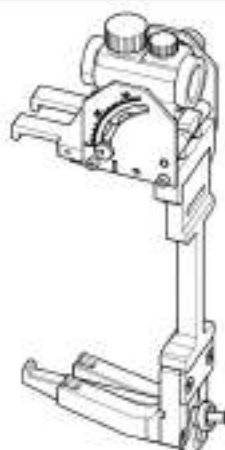
A 101 010 0000 0000

00	0000000000	00	0000000000	00	0000000000
00	0000000000	00	0000000000	00	0000000000
00	0000000000	00	0000000000	00	0000000000
00	0000000000	00	0000000000	00	0000000000
00	0000000000	00	0000000000	00	0000000000

A 101 010 0000 0000



96671487	ALTIS G4/G5 AIMING DEVICE WITH VISOR
96671488	ALTIS G4/G5 AIMING DEVICE BRACKET



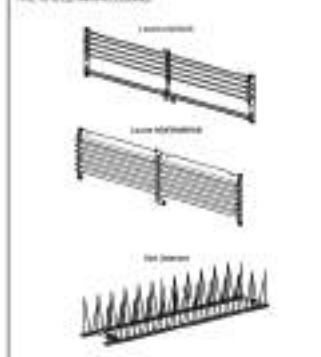
Louvres / Bird Deterrent

THORN

A 101 010 0000 0000

00	0000000000	00	0000000000	00	0000000000
00	0000000000	00	0000000000	00	0000000000
00	0000000000	00	0000000000	00	0000000000
00	0000000000	00	0000000000	00	0000000000
00	0000000000	00	0000000000	00	0000000000

A 101 010 0000 0000

Louvre
A4/A5/A6/A6ILouvre
NB/EB/MB/WB

Bird Deterrent



96671492	ALTIS G4/G5 1 BRICK LOUVRE A4
96671493	ALTIS G4/G5 1 BRICK LOUVRE A5
96671494	ALTIS G4/G5 1 BRICK LOUVRE A6/A6I
96671496	ALTIS G4/G5 1 BRICK LOUVRE MB
96671495	ALTIS G4/G5 1 BRICK LOUVRE NB/EB
96671497	ALTIS G54/G 1 BRICK LOUVRE WB

96671499 ALTIS G4/G5 BIRD DETERRENT

Visor

THORN

A 101 010 0000 0000

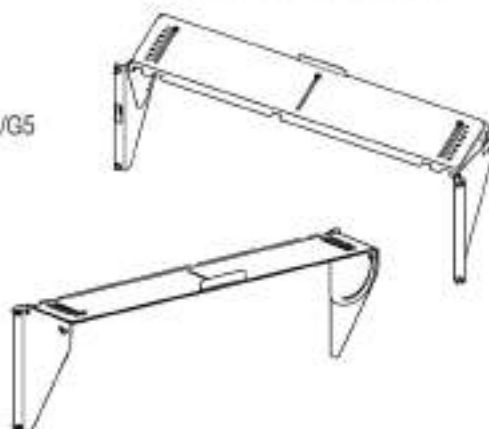
00	0000000000	00	0000000000	00	0000000000
00	0000000000	00	0000000000	00	0000000000
00	0000000000	00	0000000000	00	0000000000
00	0000000000	00	0000000000	00	0000000000
00	0000000000	00	0000000000	00	0000000000

A 101 010 0000 0000



96671498 ALTIS G4/G5 1 BRICK AJ VISOR

Visor G4/G5



Power supply support

THORN

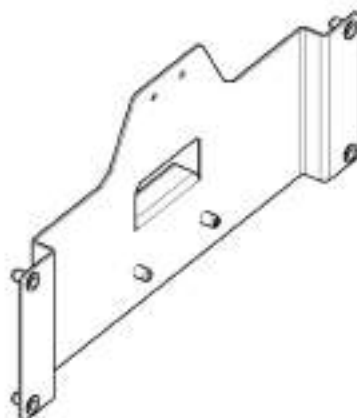
A 101 010 0000 0000

00	0000000000	00	0000000000	00	0000000000
00	0000000000	00	0000000000	00	0000000000
00	0000000000	00	0000000000	00	0000000000
00	0000000000	00	0000000000	00	0000000000
00	0000000000	00	0000000000	00	0000000000

A 101 010 0000 0000



96671491 ALTIS G4/G5 GB BRACKET 2 BRICK LB STIRRUP



FRANCAIS

- Remplacer toute protection fissurée.
- Les luminaires classe II doivent être installés de façon à ce que la partie métallique ne soit pas en contact avec l'installation électrique connectée à la terre.

ATTENTION Les luminaires classe I doivent être reliés à la terre.
-Ce luminaire fonctionne à une tension nominale qui doit être coupée avant toute intervention sur l'appareillage.
-Toute modification de cet appareil est interdite.
-Respecter la distance minimale par rapport aux objets éclairés définie par ce sigle.



SVERIGE

- Ersätta alla spräckta skyddspåttar.
- Klass II armaturer måste installeras så att nakna metalldelar i armaturen inte är i kontakt med någon elektrisk installation, kopplad till en skyddledare.

WARNING Klass I armaturer måste vara jordade.
-Denna armatur fungerar med högspänning som måste vara frånslagen före ingripande i drifttonen.
-Alla ändringar i denna armatur är förbjuden.



ITALIANO

- Sostituire sempre tutte le protezioni danneggiate.
- Gli apparecchi in classe II devono essere installati in modo che le parti metalliche non siano in contatto con apparati elettrici collegati a terra.

ATTENZIONE Gli apparecchi in class I devono essere collegati a terra.
-Questo apparecchio funziona a tensione nominale, questa deve essere interrotta prima di ogni intervento sul gruppo di alimentazione.
-Ogni modifica dell'apparechio è proibita.



ENGLISH

- Replace any cracked protective shield.
- Class II luminaires must be installed so that exposed metal work of the luminaire is not in contact with any part of the electrical installation connected to a protective conductor.

WARNING Class I luminaires must be earthed.
-This luminaire operates at mains voltage which must be switched off before intervention in control gear.
-Any modification to this luminaire is forbidden.
-Lighted objects nearer than the minimal distance in the is forbidden.



DEUTSCH

- Ersetze jede gebrochene Schutzscheibe.
- Schutzklasse II Leuchten müssen so installiert werden, daß berührbare Metallteile nicht mit einem an dem Schutzleiter angeschlossenen Teil der elektrischen Installation in Kontakt kommen können.

ACHTUNG Schutzklasse I Leuchten müssen geerdet sein.
-Diese Leuchte wird mit Netzspannung betrieben. Bevor Eingriffe am Vorschaltgerät vorgenommen werden sowie vor Wartung und Installation, ist die Versorgungsspannung abzuschalten.
-Jede Änderung an dieser Leuchte ist verboten.



SUOMI

- Rikkoontunut suojausluokan II valaisin on vaihdettava uuteen vastaavaan.
- Asetettäessä suojausluokan II valaisinta on peruseristelyn johdon ja kosketettavien metalliosien välinen kosketus tehokkaasti estettävä.

VAROITUS: Suojausluokan I valaisin täytyy maadoittaa.
-Verkojännite on kytkettävä pois ennen valaisimen huoltotoimenpiteitä.
-Valaisimen rakennetta ei saa muuttaa.



Thorn Lighting is constantly developing and improving its products. The right is reserved to change specifications without prior notification or public announcement.
© Thorn Lighting



- To ensure maintaining the best system performances, we advice to switch on the system "At least one night hour per month".
- corrosion environment from C1 to C5 according to standard ISO9223 except gear Box ALG4 GB LE corrosion environment from C1 to C3