

ADONIS ARCHITECTURAL White High Efficacy Opal IP67

Area: **Outdoor Luminaires**
 Category: **In-ground / Rigid light lines / Grazer**
 Mounting: **Surface Mounting fixed horizontal (SH) / Surface Mounting fixed vertical (SV) / Adjustable arm / Surface Mounting adjustable (SA) / Mounting Lock (ML) / Inground mounting frame (IF) / Glare Protection**



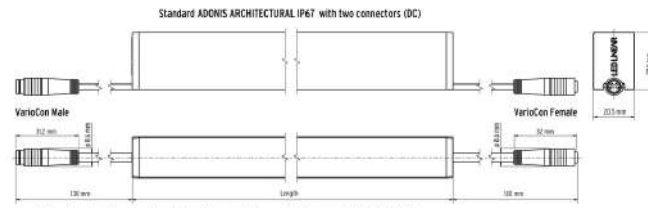
Miniaturized design meets architectural scales: Its exceptional integration makes ADONIS ARCHITECTURAL an excellent choice for grazing applications and direct illumination on façades and ceilings.

- A multitude of options include several power levels and color temperatures plus a variety of light engines ranging from static white to RGBW, as well as 10°, 30° or 60° and opal optics to choose from.
- Polyurethane is utilized in ADONIS ARCHITECTURAL to make it more resistant to impact from salt water UV-light and solvents. High protection against vandalism thanks to a robust, powder-coated aluminum profile with an IK10 certification.
- The choice between solid and translucent end caps combined with smart cabling and mounting options enables seamless light lines.

Detailed specification text in download section.

DIMENSIONS & AVAILABLE LENGTHS

20.5 mm x 28.5 mm



Fixture build to length (not field cuttable): $L = (N \times 62.5 \text{ mm}) + 14 \text{ mm}$; $N = 5 \dots 64$; $L_{\min} = 327 \text{ mm}$; $L_{\max} = 4,014 \text{ mm}$

TECHNICAL SPECIFICATIONS

Certifications



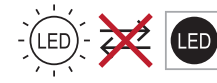
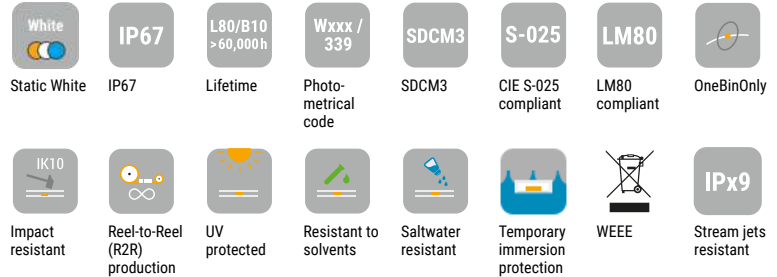
Family Key Features



Awards



Technical Data/Performance



Compliant with EU ECODESIGN guidelines

ELECTRICAL & OUTPUT DATA

Voltage	24 Volt (23 V _{min} , 25 V _{max})
Case Temperature (T _{Cmin} & T _{Cmax})	T _{Cmin} = -25°C, T _{Cmax} = specific, see Table below
Storage Temperature (T _{Smin} & T _{Smax})	T _{Smin} = -30°C, T _{Smax} = 85°C
Ambient Temperature (T _{Amin} & T _{Amax})	T _{Amin} = -25°C, T _{Amax} = specific, see Table below

ADONIS ARCHITECTURAL White High Efficacy Opal IP67	HE 05	HE 10	HE 15	HE 20	HE 28	HE 36
Power (W/m) ^A	5	10	15	20	28	36
Efficacy (lm/W) ^A (up to)	54	65	66	68	70	71
max. length (m)	4.02	4.02	4.02	4.02	4.02	3.02
max. serial run length (m)	12.0	8.0	7.0	5.0	4.0	3.0
Recommended max. run length (m) for luminous flux loss < 10% (m)	11.3	7.8	6.3	5.0	4.0	3.0
CRI (up to)	85	85	85	85	85	85
R9 (up to)	19	19	19	19	19	19
Temperature T _C -point (T _{Cmax}) ^B	70°C	70°C	70°C	75°C	85°C	85°C
max. ambient temp. (T _{Amax})	50°C	50°C	50°C	45°C	35°C	35°C

Color temperature		low output			high output		
		HE 05	HE 10	HE 15	HE 20	HE 28	HE 36
Order Code	Delivered CCT	lumen/m (lm/m) ^A					
●	W818 1,800 K	200	470	700	950	1340	1810
●	W822 2,100 K	240	540	780	1100	1600	2100
●	W825 2,400 K	260	590	880	1200	1720	2280
●	W827 2,600 K	270	630	910	1270	1790	2410
●	W830 2,900 K	280	660	960	1290	1860	2500
●	W835 3,300 K	280	670	970	1320	1890	2570
●	W840 3,800 K	280	680	990	1350	1930	2580

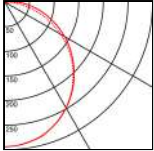
! Use the online configurator to configure the specific luminaire or tape.

^AThe given data are typical values. Due to tolerances of the production process and the electrical components, photometric values and electrical power can vary up to 10%

^BThe T_C-point should be measured in thermal equilibrium according to IEC EN 60598-1.

AVAILABLE OPTICS

Diffusor



opal

ORDER CODE

Example:

ADONIS ARCHITECTURAL HE 05 W818 W OL
DCSSH IP67

CONFIGURE NOW!

Options for the order code:

Your selections :

Variant

Stand-alone

LED tape

HE 05 (5 W/m) HE 05
 HE 10 (10 W/m) HE 10
 HE 15 (15 W/m) HE 15
 HE 20 (20 W/m) HE 20
 HE 28 (28 W/m) HE 28
 HE 36 (36 W/m) HE 36

Color temperature

1,800 K W818
 2,100 K W821
 2,400 K W824
 2,600 K W826
 2,900 K W829
 3,300 K W833
 3,800 K W838

Housing color

White (RAL9003) W
 Black (RAL9005) B
 Gray (RAL9022) G

Optics

Opal OL

Mounting accessory

Surface Horizontal SH
 Surface Vertical SV
 Surface Adjustable SA
 Mounting Lock ML
 Adjustable Arm L40 A0
 Adjustable Arm L100 A1
 Adjustable Arm L200 A2
 Adjustable Arm L300 A3
 Inground Mounting Frame IF
 No Mounting accessory X

Cable / Connector configuration

Daisy chain (male / female) DC
 Male one side MO
 Open end one side OO
 Open end two sides OT

Luminaire application

Stand-alone S
 Begin of Luminaire B
 Middle of Row Luminaire M

TYPICAL APPLICATIONS



Options for the order code:

Your selections ■ :

End of Luminaire → ■ E

Length

L_{min}: 327 mm → ■ 0327

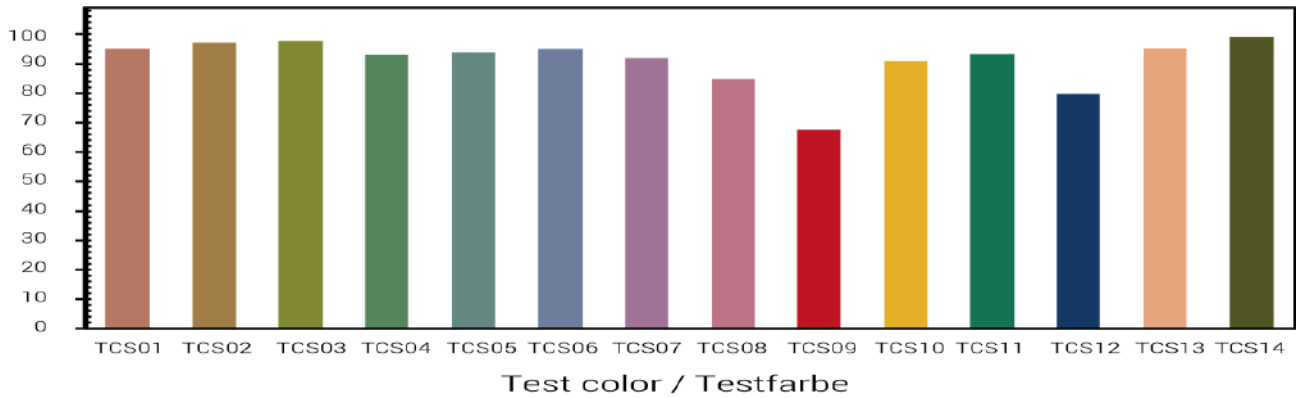
L_{max}: 4,014 mm → ■ 4014

Fixture build to length (not field cuttable): $L = (N \times 62.5 \text{ mm}) + 14 \text{ mm}$; $N = 5 \dots 64$; L_{min} = 327 mm; L_{max} = 4,014 mm

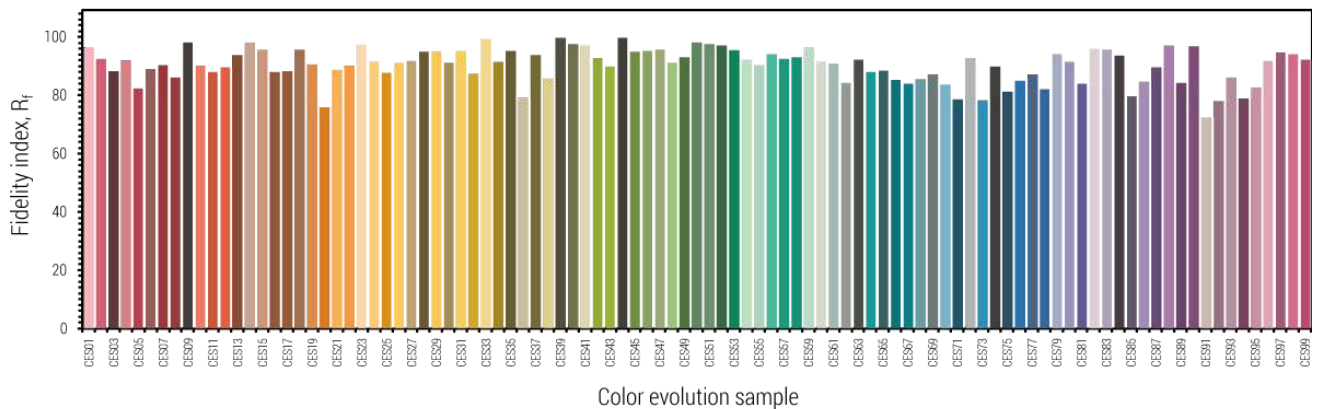
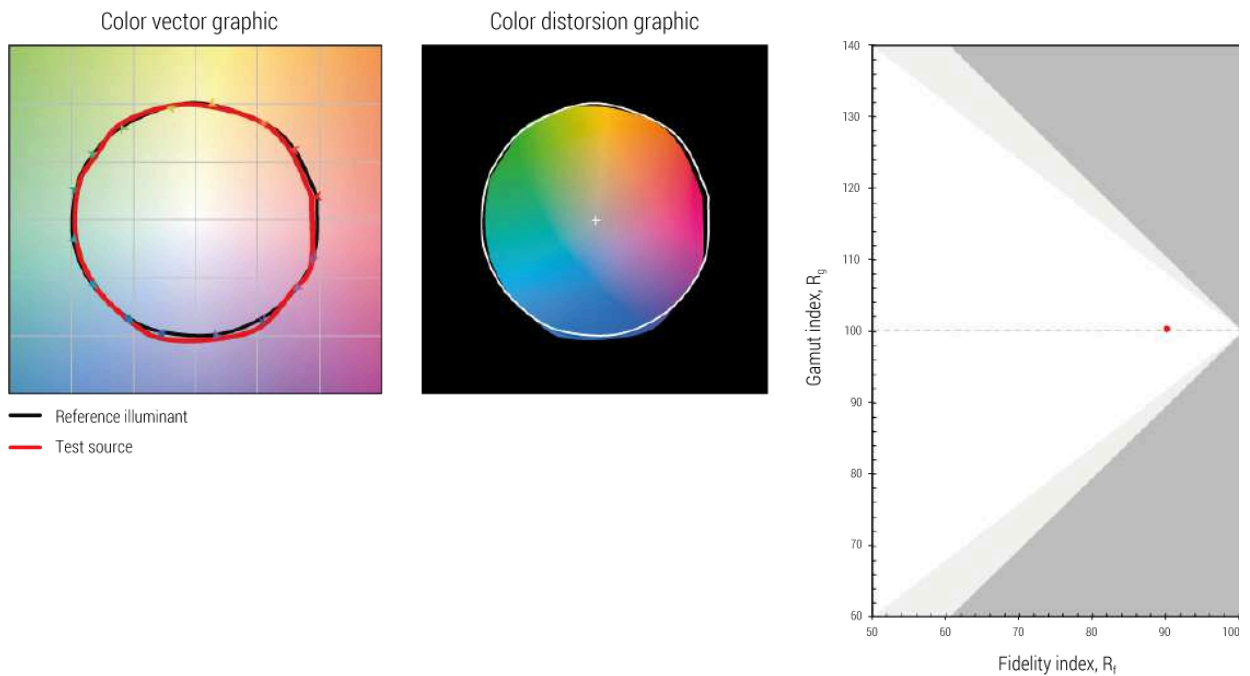


OPTICAL INFORMATION

CRI



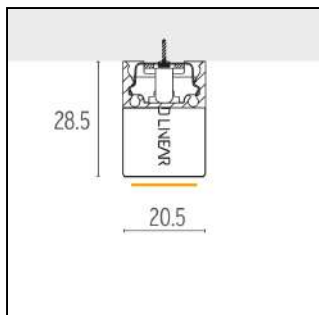
TM30-15



This chart displays the average Fidelity Index for all samples within the hue bin. The number of samples per bin, which can vary based on the CCT used for the calculation, is shown at the top. The color of the bar is based on the average chromaticity under the 5000 K reference illuminant; the colors may not display accurately depending on the calibration of the monitor, and should be used for orientation only.

MOUNTING

1. Surface Mounting fixed horizontal (SH)



Mounting accessories



VarioClip 010 Set
 Digits in order code: SH

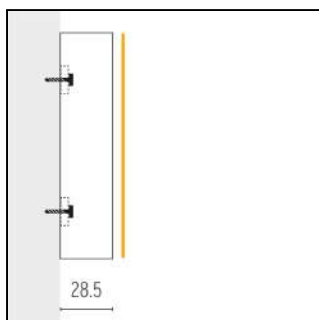
Description

Aluminum mounting clip with washer. Clips inside the fixture profile for invisible mounting. Use according to the mounting instruction.

Example of application



2. Surface Mounting fixed vertical (SV)



Mounting accessories



VarioClip 010
 Digits in order code: SV



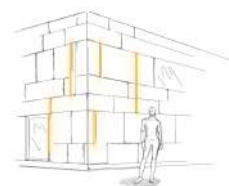
Sliding block C010 incl. screw
 Digits in order code: SV

Description

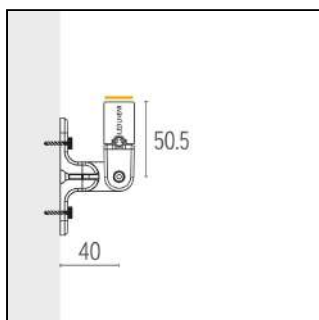
Aluminum mounting clip with washer. Clips inside the fixture profile for invisible mounting. Use according to the mounting instruction.

Metal mounting block with set screw for vertical applications. Install inside the fixture profile to stop the fixture from sliding. Use according to the mounting instruction.

Example of application



3. Adjustable arm



Mounting accessories



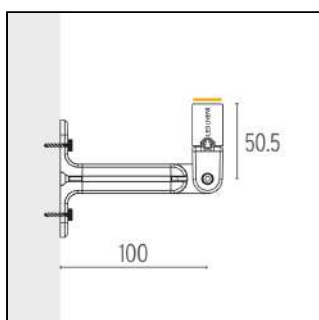
Adjustable arm L40

Description

40 mm adjustable mounting arm. Supplied according to the selected profile color (RAL9003, RAL9005, RAL9022). The set includes mounting clip incl. screws for fixing the luminaire. Allows tilting by 120° in any direction. Use according to the installation instructions.

Digits in order code: A0

Example of application



Adjustable arm L100

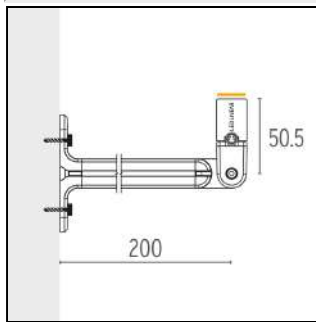
100 mm adjustable mounting arm. Supplied according to the selected profile color (RAL9003, RAL9005, RAL9022). The set includes mounting clip incl. screws for fixing the luminaire. Allows tilting by 120° in any direction. Use according to the installation instructions.

Digits in order code: A1



Adjustable arm L200

200 mm adjustable mounting arm. Supplied according to the selected profile color (RAL9003, RAL9005, RAL9022). The set includes mounting clip incl. screws for fixing the luminaire. Allows tilting by 120°



in any direction. Use according to the installation instructions.

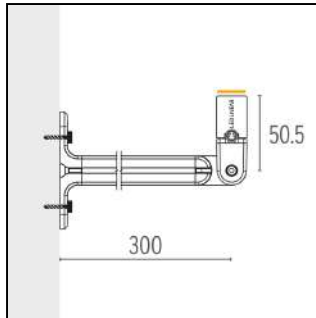
Digits in order code: A2



Adjustable arm L300

300 mm adjustable mounting arm. Supplied according to the selected profile color (RAL9003, RAL9005, RAL9022). The set includes mounting clip incl. screws for fixing the luminaire. Allows tilting by 120° in any direction. Use according to the installation instructions.

Digits in order code: A3

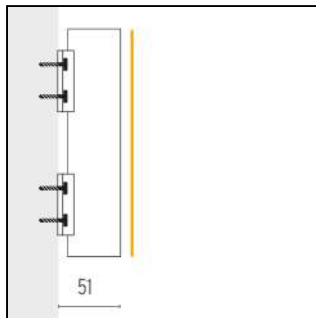


4. Surface Mounting adjustable (SA)

Mounting accessories

Description

Example of application



Adjustable Mounting Clip C007/C010 L140 (silver anodized)

Digits in order code: SA

140 mm adjustable mounting clip with a tilt of 60° to each side, comes together with profile colors white and gray. Use according to the mounting instruction.



Adjustable Mounting Clip C007/C010 L140 (black anodized)

Digits in order code: SA

140 mm adjustable mounting clip with a tilt of 60° to each side, comes together with profile color black. Use according to the mounting instruction.

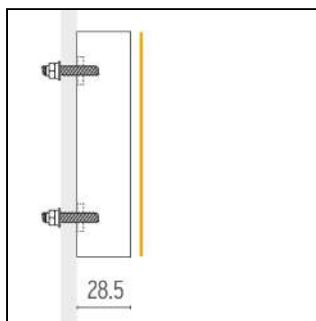


5. Mounting Lock (ML)

Mounting accessories

Description

Example of application



Screw Kit M5 for Mounting Lock

Digits in order code: ML

25 mm threaded pin with washer and nut. For a vandal resistant installation. Use according to the mounting instruction.



6. Inground mounting frame (IF)

Mounting accessories

Description

Example of application

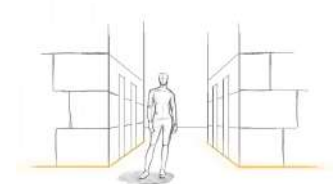


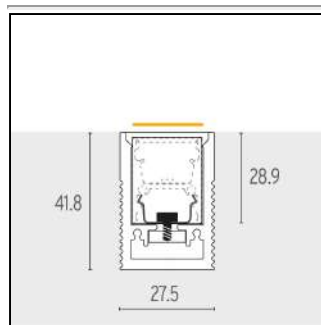
Inground Frame Set (L x H x W) luminaire length x 41.8 mm x 27.5 mm

Digits in order code: IF

Aluminum frame (silver anodized) cut to luminaire length incl. styrofoam dummy and endcap/clip set for stand-alone luminaire applications. Use according to the mounting instruction.

Aluminum frame (silver anodized) in 2 m length incl. styrofoam dummy for lightline applications. Use





Inground Frame 2 m w/ dummy
 (L x H x W) 2000 mm x 41.8 mm x 27.5 mm
 Art.-#: 10000639-2m

according to the mounting instruction.



Inground Frame 4 m w/ dummy
 (L x H x W) 4000 mm x 41.8 mm x 27.5 mm
 Art.-#: 10000639-4m

Aluminum frame (silver anodized) in 4 m length incl. styrofoam dummy for lightline applications. Use according to the mounting instruction.



Inground Frame Endcap Set
 Art.-#: 11000310-SIL

Aluminum endcap with screws and sealing plug. Required to cover the ends of the inground frame before installation. Use according to the mounting instruction.



Inground Frame Clip Set
 Art.-#: 13000504

Clip with mounting lock, screw and washer for inground frame. Use according to the mounting instruction.



Inground Frame Connector
 Art.-#: 13000503

Aluminium connector for joining inground frames to create lightlines. Use according to the mounting instruction.



Disassembly Tool For Inground Frame
 Art.-#: 13100032

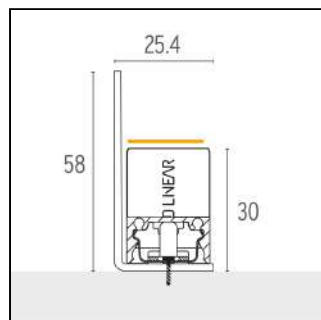
Use to take the fixture out of the inground frame. Use according to the mounting instruction.

7. Glare Protection

Mounting accessories

Description

Example of application



Glare Shield white - 1 m
 Art.-#: 10000622-RAL9003-1m

Aluminium glare shield in 1 m length. For a better glare control for people passing by. Use according to the mounting instruction.



Glare Shield white - 2 m
 Art.-#: 10000622-RAL9003-2m

Aluminium glare shield in 2 m length. For a better glare control for people passing by. Use according to the mounting instruction.



Glare Shield black - 1 m
 Art.-#: 10000622-RAL9005-1m

Aluminium glare shield in 1 m length. For a better glare control for people passing by. Use according to the mounting instruction.



Glare Shield black - 2 m
 Art.-#: 10000622-RAL9005-2m

Aluminium glare shield in 2 m length. For a better glare control for people passing by. Use according to the mounting instruction.



Glare Shield gray - 1 m
 Art.-#: 10000622-RAL9022-1m

Aluminium glare shield in 1 m length. For a better glare control for people passing by. Use according to the mounting instruction.




Glare Shield gray - 2 m
 Art.-#: 10000622-RAL9022-2m

Aluminium glare shield in 2 m length. For a better glare control for people passing by. Use according to the mounting instruction.




POWER SUPPLY UNIT (PSU) & CONTROLS

Recommended PSU

Item	Description	Part number	Unit	Min. OQ
 <p>VarioPSU 24V/240W IP67, ON/OFF, Silver</p>	LED driver from Mean Well with 24 V constant voltage and a maximum output power of 240 W. Type of protection IP67, class I power unit with an input voltage range of 90 – 305 V AC. Dimensions (L x W x H): 244 mm x 68 mm x 39 mm. Not dimmable. Product on secondary side dimmable with IN.Finite controller range.	16000068	piece (pc)	5

Recommended Control

Item	Description	Part number	Unit	Min. OQ
 <p>IN.finite™ DALI® DT6 2CH CV ULT</p>	2-Kanal-Steuergerät, DALI® DT6-Protokoll, Eingang für 1 – 10 V-Schnittstellen, Eingangsspannung 12 V – 48 V, I _{out} max. 2 x 4 A, L x H x B – 188 mm x 21 mm x 30 mm. Optimierte zur Dimmung von ULTIMA-S mit Magnetbefestigung.	16000268-DT6-ULT	piece (pc)	10

VOLTAGE DROP INFORMATION FOR THE FEED-IN LINE (PSU / CONTROL TO FIXTURE)

0.34 mm² / AWG 22

ADONIS ARCHITECTURAL White High Efficacy Opal IP67	HE 05	HE 10	HE 15	HE 20	HE 28	HE 36
Product run Length	max. cable length between PSU / Control unit and the luminaire					
1 m	38.8 m	19.4 m	12.9 m	9.7 m	6.9 m	5.3 m
2 m	19.4 m	9.7 m	6.4 m	4.8 m	3.4 m	2.6 m
3 m	12.9 m	6.4 m	4.3 m	3.2 m	2.3 m	1.7 m
4 m	9.7 m	4.8 m	3.2 m	2.4 m	1.7 m	-
5 m	7.7 m	3.8 m	2.5 m	1.9 m	-	-
6 m	6.4 m	3.2 m	2.1 m	-	-	-
7 m	5.5 m	2.7 m	1.8 m	-	-	-

1.5 mm² / AWG 15

ADONIS ARCHITECTURAL White High Efficacy Opal IP67	HE 05	HE 10	HE 15	HE 20	HE 28	HE 36
Product run Length	max. cable length between PSU / Control unit and the luminaire					
1 m	171.3 m	85.6 m	57.1 m	42.8 m	30.6 m	23.8 m
2 m	85.6 m	42.8 m	28.5 m	21.4 m	15.3 m	11.9 m
3 m	57.1 m	28.5 m	19 m	14.2 m	10.2 m	7.9 m
4 m	42.8 m	21.4 m	14.2 m	10.7 m	7.6 m	-
5 m	34.2 m	17.1 m	11.4 m	8.5 m	-	-
6 m	28.5 m	14.2 m	9.5 m	-	-	-
7 m	24.4 m	12.2 m	8.1 m	-	-	-

Calculation refers to the cable configuration on site.

The information listed in the table is only refers to the conductor-based voltage drop of max. 0.85V at 24V DC input voltage.

Regarding the electromagnetic compatibility (EMC) the maximum cable length is defined by the power supply manufacturer.

A cable length between power supply and planned product longer than indicated by the datasheet of the power supply is possible. However the electromagnetic compatibility can then be influenced by the conditions of the installation site. There is no data on electromagnetic compatibility for longer cable lengths, which might lead to the necessity of an evaluation of the electromagnetic compatibility by a third party.

Datasheets and mounting instructions of the components in combination with the planned product must be carefully read and followed.