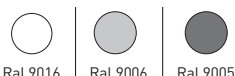


CORVUS INN



Standard Colours



OPTICAL

Direct symmetric distribution
 Beam angle 120°
 UGR<22
 Lifetime [L90/B10]: 50000 h. (tq+25°C)
 Lifetime [L80/B20]: 100000 h. (tq+25°C)
 SMD LED module
 Color rendering index: CRI>80
 MacAdams SDCM 3

MECHANICAL

Extruded aluminium housing
 UV stabilized opal diffuser
 Adjustable suspension accessory
 IP40 protection degree
 Impact resistance IK02
 Glow-wire test resistance 650°C

ELECTRICAL

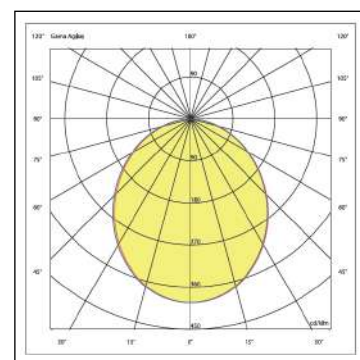
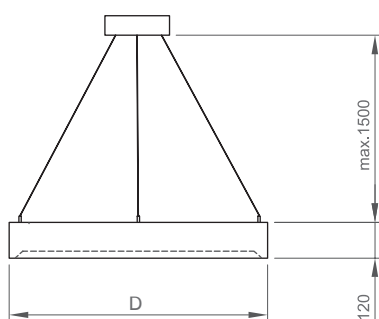
Halogen-free wiring
 220-240V-50/60Hz
 Power factor >0.95
 Constant current, Class I, isolated driver
 CE - IEC 60598-1 - EN 60598-1
 Ambient temperature from -20°C to +50°C
 On-Off Control - [Code: .N000]

OPTIONAL

DALI - [Code: .DXXX]
 1-10V - [Code: .MXXX]
 Tunable White
 Flicker-free - [Code: .FXXX]
 Emergency battery - [Code .X3HT]
 CBS connection
 UGR<19 - microprismatic diffuser (.MC)
 Color rendering index: CRI >90
 Color temperature (K) options
 RAL colour selection

INSTALLATION

Ceiling suspended.



Product Code	Power (W)	Lumen (lm)	CCT (K)	CRI	Dimensions QxH (mm)	Cut-Out Q (mm)	Weight (kg)
03170.60.30.030	38	3670	3000K	Ra>80	600x120	N/A	4,0

All electrical values given are rated values. Luminous flux and connected electrical load are subject to an initial tolerance of +/- 10%. Tolerance of colour temperature: +/-150 K. Unless stated otherwise, the values apply to an ambient temperature of 25°C.

Any information including technical parameters and product codes may differ from standard products in catalogue & web site due to customization made per projects.

Ikizler Lighting has the right to make changes or cancellations on the products without notification. Updated information on the products can be received from our web site.